

# AIR AID®

## INTAKE SYSTEMS



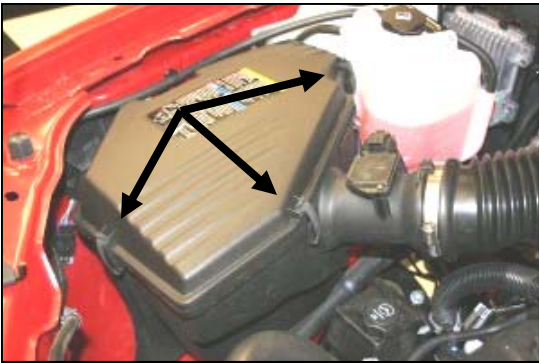
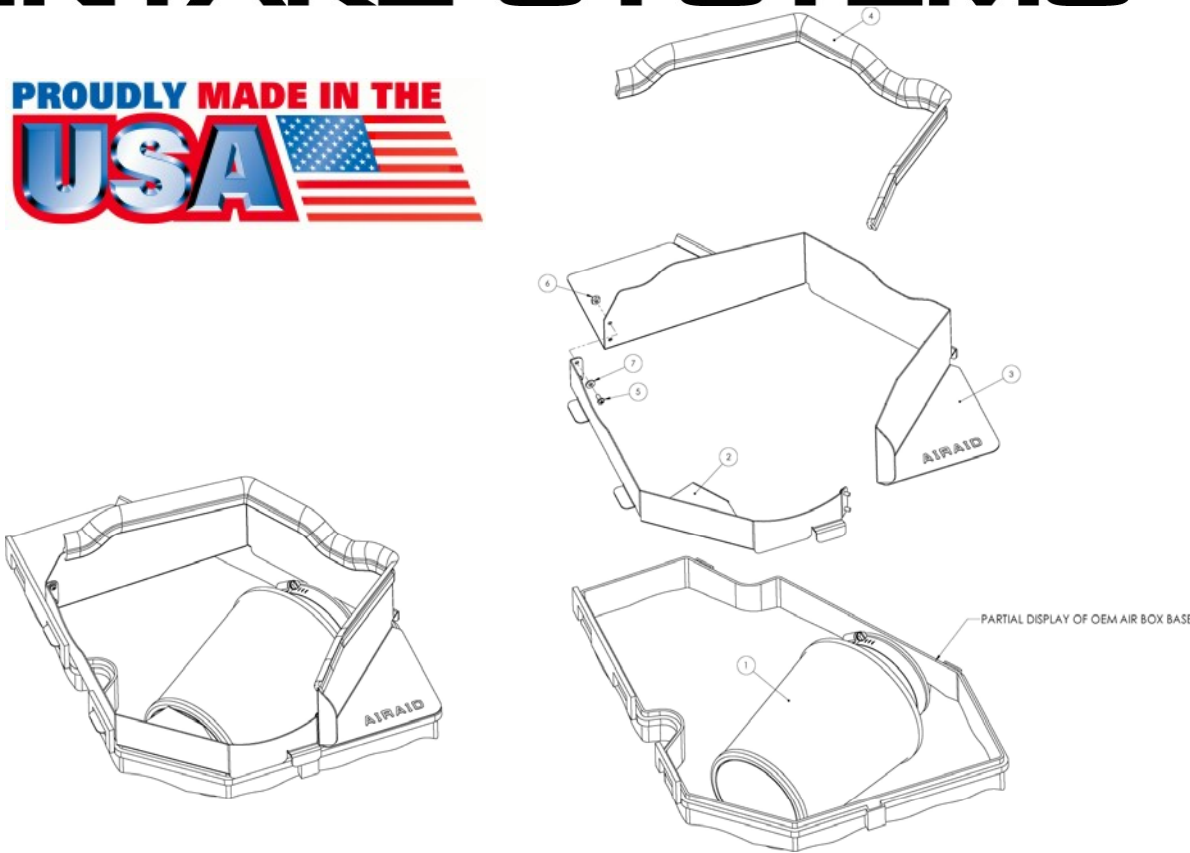
**Installation Instructions**  
**Part Number 200-142**  
**2004-06 Chevrolet Colorado/**  
**GMC Canyon 2.8L & 3.5L/**  
**Isuzu i-280 & i-350**

### Packing List:

#1	700-451	Airaid Premium Filter	1
#2	KIT142FPC	Black Front Panel	1
#3	KIT142RPC	Black Back Panel	1
#4	KITWSTRIP02	Weather Strip 23 1/2"	1
	KIT142HP	Hardware & Instructions	1
#5	KIT6C31MXPPZ	6-32x 5/16" Screw	4
#6	KIT6CNKEPZ	6-32 Keps Nut	4
#7	KIT6NWSAPZ	#6 Flat Washer	4

### Tools Required For Installation:

5/16" Socket  
 Ratchet & Extension  
 Phillips Screwdriver



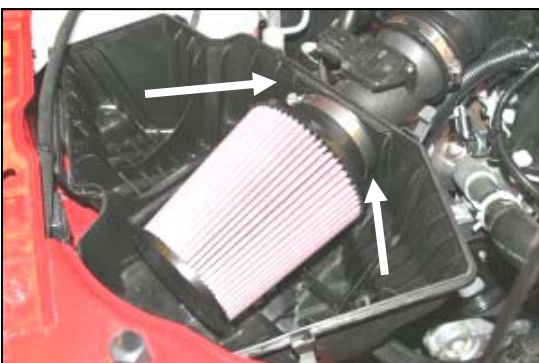
**1. Disconnect negative battery cable.**  
 Unlatch three clips that hold down the factory airbox lid.



**2.** Remove the factory airbox lid, and set it aside.



**3.** Remove the factory air filter, and set it aside.



**4.** Install the Airaid Premium Filter (#1) on the factory tube inside the airbox. Make sure the hose clamp and filter, are tight against the wall of the airbox, and tighten the clamp.



**5.** Assemble the Quick Fit panels (#2&#3) using the four 6-32x5/16" screws (#5), #6 washers (#7), and nuts (#6).



**6.** Install the Quick Fit panels by inserting the tab on the front of the panel into the front slot of the factory airbox base (A), and then rotating the panels counterclockwise.



**7.** Make sure the second tab is aligned in the rear slot of the factory airbox, and then adjust the Quick Fit panels to fit squarely on top of the airbox, and then relatch the three factory clips.



**8.** Install the provided weather strip (#4) on the top of the Quick Fit panels. For ease of installation, start next to the fender and work your way towards the front of the vehicle.



**9.** Congratulations on installing your new intake system! See the back of this page for further instructions.



## 10. Double check your work!

Make sure there is no foreign material in the intake path. Make sure all clamps, hoses, bolts, and screws are tight.

## 11. Reconnect the negative battery cable!

*Before!*



*After!*



Thank you for purchasing the Airaid Intake System. Contact Airaid @ (800) 498-6951 8:00 AM - 5:00 PM MST weekdays for questions regarding fit or instructions that are not clear to you. Your Airaid Intake System was carefully inspected and packaged. Check that no parts are missing, or were damaged during shipping. If any parts are missing, contact Airaid. The air filter element is protected from direct exposure to water and debris; care should be taken not to drive through deep water. WATER INGESTION IS THE DRIVERS RESPONSIBILITY! The air filter is reusable and should be cleaned using the Airaid Filter Tune-Up Kit periodically.

## Don't Forget Your AIRAID Filter Tune-Up Kit!



P/N 790-551 Aerosol Spray  
P/N 790-550 Squeeze Spray

Instructions Revision  
Date: 04/05/06