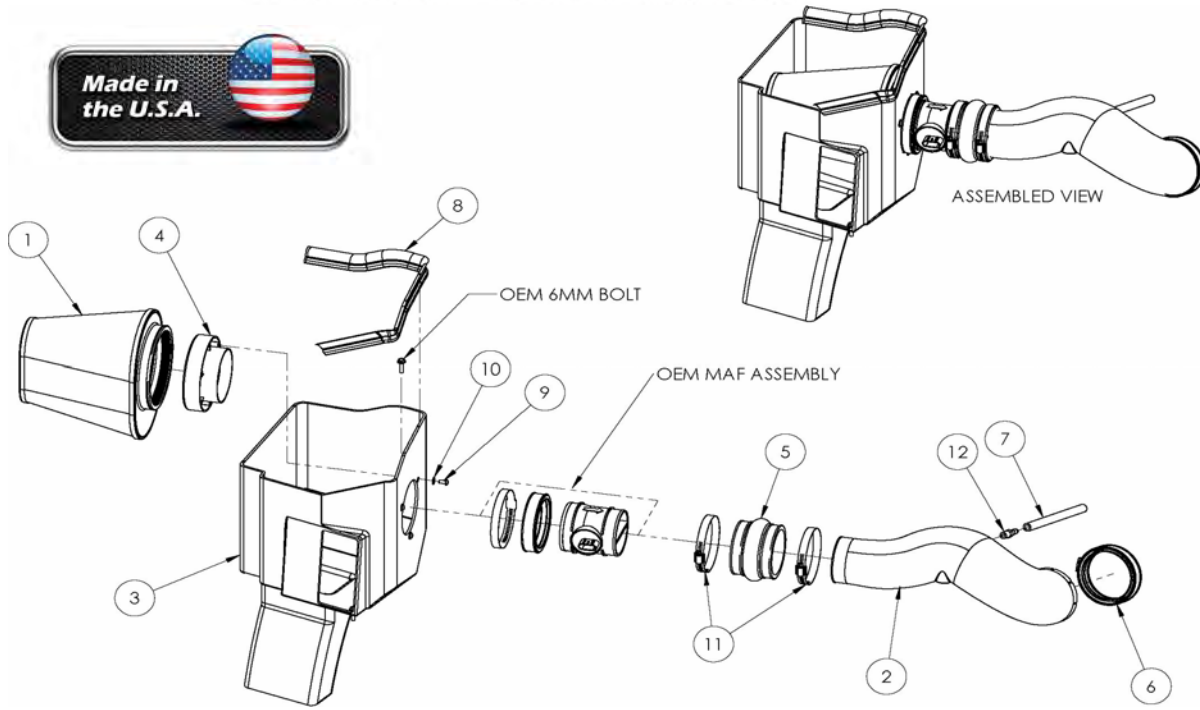




**Installation Instructions**  
**Part Number 200-268**  
**2007-08 Chevrolet Silverado 2500/3500**  
**GMC Sierra 2500/3500**  
**6.0L V-8**  
**\*New Body Style Only\***  
**Mechanical Fan**

**INTAKE SYSTEMS**



<b>Packing List:</b>			
#1	720-472	Airaid Premium Filter	1
#2	KIT225T	Airaid Intake Tube	1
#3	KIT267CABS	Cold Air Box	1
#4	KIT1121MAFADA	Filter Adapter	1
#5	KITHUMPHS18	Urethane Hump Hose	1
#6	KITCOUPLER02	Coupler w/ #68 Hose Clamp	1
#7	KITHOSE06	3/8" x 8" Breather Hose	1
#8	KITWSTRIP03	Weather Strip 25"	1
	KIT268HP	Hardware & Instructions	1
#9	KIT15DHC3050	1/4-20 x 1/2" Button Head Bolt	3
#10	KIT09FWZ019	1/4" Flat Washer	3
#11	KITHS64	#64 Hose Clamp	2
#12	KITFITTING01	1/4 NPT x 3/8 Barbed Fitting	1
#13	KITFITTING21	Edge Clip Cable Tie	1

**Tools Required For Installation:**  
 5/16", 10mm Sockets  
 Ratchet & Extension  
 Phillips Screwdriver, T15 Torx Bit  
 3/32", 5/32" Allen Wrench



**1. Disconnect the negative battery cable.**  
 Remove the engine cover by simply pulling up on it and sliding out from the vehicle.



**2. Pull the PCV breather line from the Factory intake tube.**



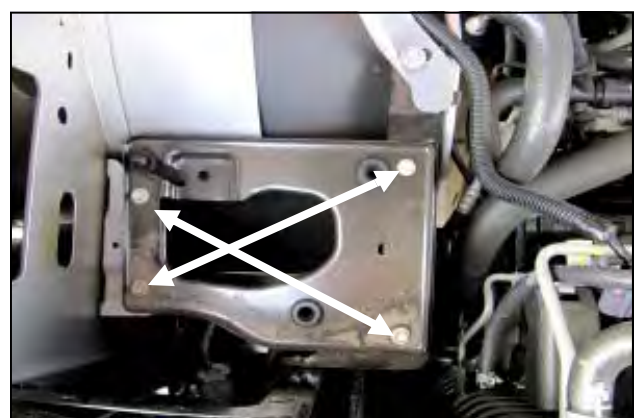
**3.A.) Loosen the clamps securing the factory intake tube to the throttlebody and the Mass Air Flow Meter , or MAF.**  
**B.) Separate the hose anchor from the factory intake and remove the factory tube.**



**4. Remove the plastic PCV breather line from the factory hard line.** A standard screwdriver works well for depressing the locking tab in the coupling.



**5. Disconnect the MAF sensor and remove the factory airbox and sensor from the vehicle.**  
 The airbox is secured to the vehicle with grommets and simply lifts out.



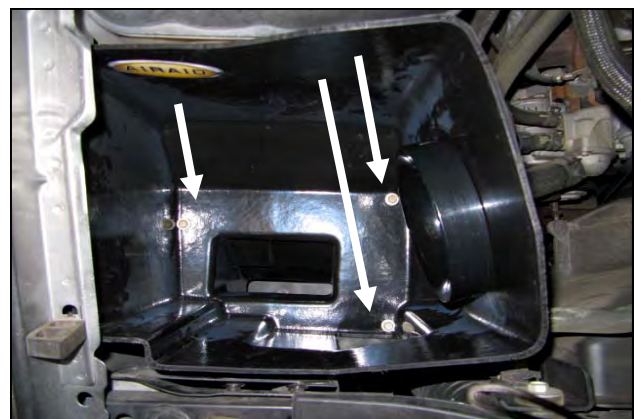
**6. Remove the four tray bolts and the airbox mounting tray.** Three of the bolts will be reused in step 8.



**7. Secure the wiring harness to the inner fender as shown using the Edge Clip Cable Tie (#13).**



**8. Install the Filter Adapter (#4) onto the Cold Air Box or CAB (#3) as shown using the three 1/4-20 Button Head Screws (#9) and 1/4" Flat Washers (#10).**



**9. Install the CAB into the engine compartment and secure using three of the tray bolts from step 6.**

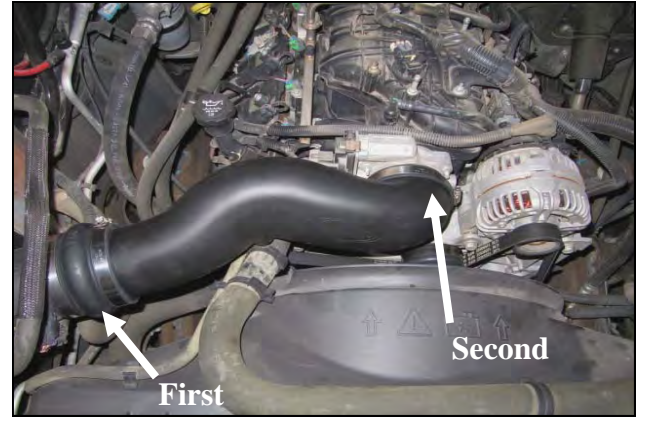




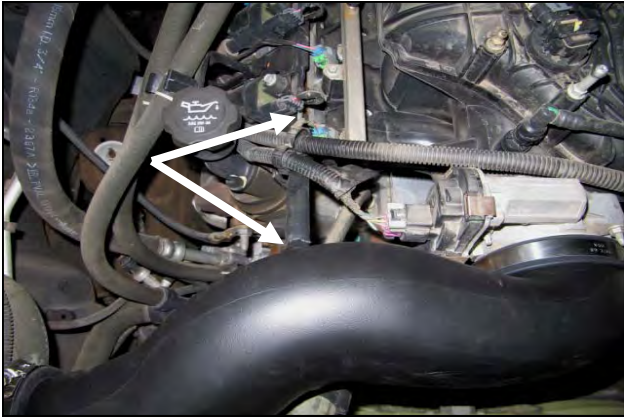
10. Transfer the Mass Air Flow sensor from the factory airbox onto the Filter adapter. Reconnect the MAF.



11. **A)** Install the 1/4" NPT Barbed Fitting (#12) into the Airaid Intake Tube (#2).  
**B)** Install the Hump Hose (#5), Coupler (#6) and clamps (#11) onto the Intake Tube as shown. Leave the clamps loose for now.



12. Install the Airaid Intake Tube assembly onto the MAF first, and then onto the throttlebody. Adjust for fit, and tighten all hose clamps. Reinstall the hose anchor into the Airaid Intake Tube.



13. Install the 3/8" Breather Hose (#7) onto the Barbed fitting and factory hard line.



14. Install the Airaid Premium Filter (#1) onto the Filter Adapter, and tighten the hose clamp. Install the weather strip (#8) onto the Airaid Cold Air Box. (*Hint: Start from one corner and work your way around for ease of install.*)



15. Reinstall the engine cover.  
**Double check your work!**  
 Make sure there is no foreign material in the intake path. Make sure all clamps, hoses, bolts, and screws are tight. Double check the hood clearance.  
**Reconnect the negative battery cable!**

*Before!*



*After!*



Thank you for purchasing the Airaid Intake System. Contact Airaid @ (800) 498-6951 8:00 AM - 5:00 PM MST weekdays for questions regarding fit or instructions that are not clear to you. Your Airaid Intake System was carefully inspected and packaged. Check that no parts are missing, or were damaged during shipping. If any parts are missing, contact Airaid. The air filter element is protected from direct exposure to water and debris; care should be taken not to drive through deep water. WATER INGESTION IS THE DRIVERS RESPONSIBILITY!

**Don't Forget Your AIRAID Filter Tune-Up Kit!**



P/N 790-551 Aerosol Spray  
 P/N 790-550 Squeeze Spray

Rev.07/15/13