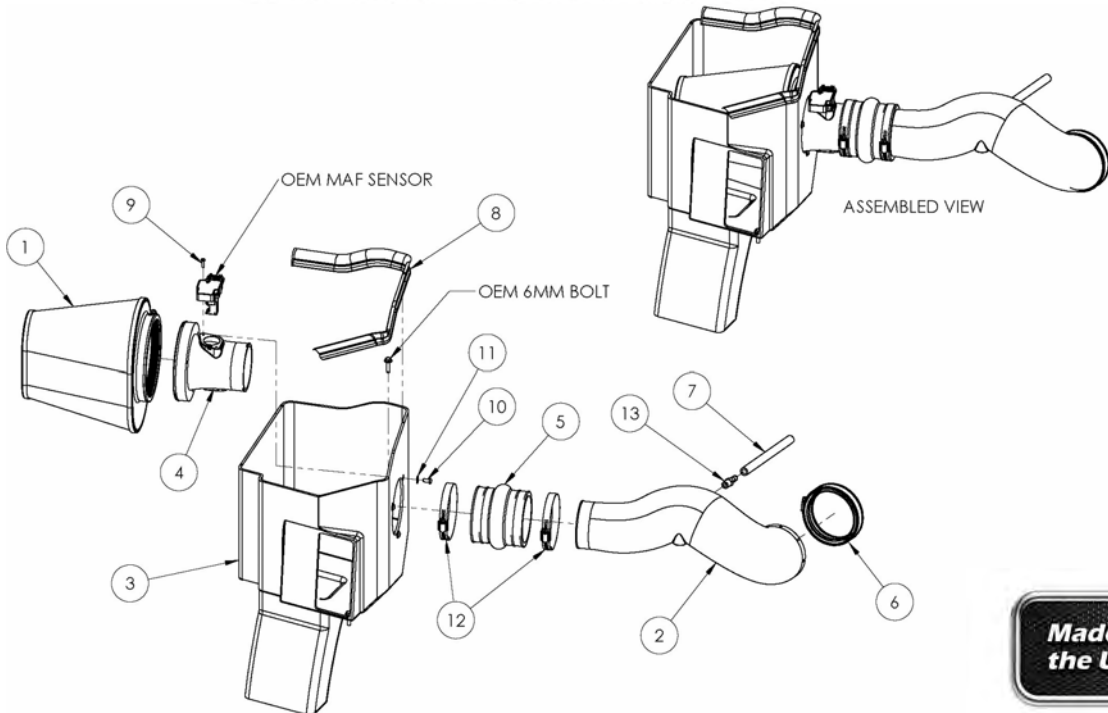




INTAKE SYSTEMS

Installation Instructions
Part Number 201-271
2009-10 Chevrolet Silverado/Suburban 2500/3500
GMC Sierra/Yukon XL 2500/3500
6.0L V-8
With Mechanical Cooling Fan
CARB exemption does not apply to certified
SULEV vehicles



Packing List:			
#1	721-472	Airaid Premium Filter	1
#2	KIT225T	Airaid Intake Tube	1
#3	KIT267CABS	Cold Air Box	1
#4	KIT233-1A	Filter Adapter	1
#5	KITHUMPHS02	Urethane Hump Hose	1
#6	KITCOUPLER02	Coupler w/ #68 Clamp	1
#7	KITHOSE06	3/8" x 8" Breather Hose	1
#8	KITWSTRIP03	Weather Strip 25"	1
	KIT271HPS	Hardware & Instructions	1
#9	KIT15BHC3050	8-32 x 1/2" Button Head Screw	2
#10	KIT15DHC3050	1/4-20 x 1/2" Button Head Screw	3
#11	KIT09FWZ019	1/4" Flat Washer	3
#12	KITHS64	#64 Hose Clamp	2
#13	KITFITTING01	1/4 NPT x 3/8 Barbed Fitting	1
#14	KITFITTING21	Edge Clip Cable Tie	1

Tools Required For Installation:
 5/16", 10mm Sockets
 Ratchet & Extension
 Phillips Screwdriver, T15 Torx Bit
 3/32", 5/32" Allen Wrench



1. Disconnect the negative battery cable.
 Remove the engine cover by simply pulling up on it and sliding out from the vehicle.



2. Pull the PCV breather line from the factory intake tube.



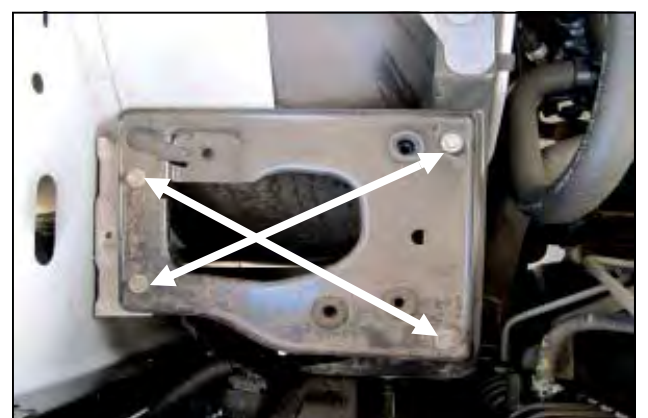
3.A.) Loosen the clamps securing the factory intake tube to the throttlebody and the airbox.
B.) Separate the hose anchor from the factory intake and remove the factory tube.



4. Remove the plastic PCV breather line from the factory hard line. A standard screwdriver works well for depressing the locking tab in the coupling.



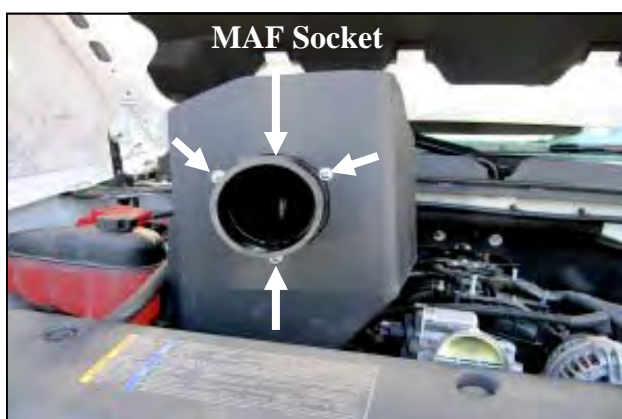
5. Disconnect the Mass Air Flow or MAF sensor and remove the factory airbox from the vehicle.
 The airbox is secured to the vehicle with grommets and simply lifts out.



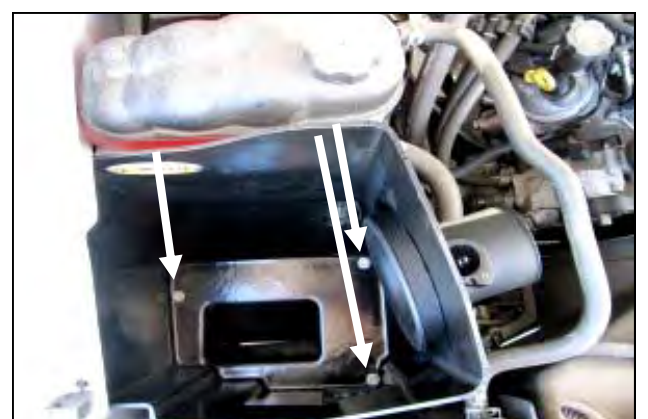
6. Remove the four tray bolts and the airbox mounting tray. Three of the bolts will be reused in step 9.



7. Secure the wiring harness to the inner fender as shown using the Edge Clip Cable Tie (#14).



8. Install the Filter Adapter (#4) onto the Cold Air Box or CAB (#3) as shown using the three 1/4-20 Button Head Screws (#10) and 1/4" Flat Washers (#11).
 Note: The MAF socket is to be in the 12:00 position when properly assembled.



9. Install the CAB (#3) into the engine compartment and secure using three of the tray bolts from step 6.



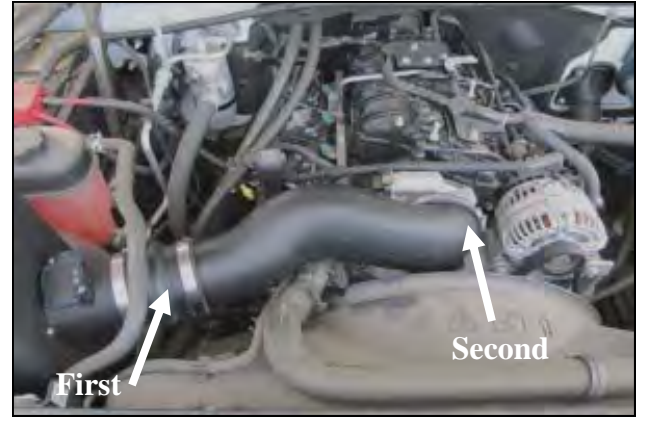
10. Transfer the Mass Air Flow sensor from the factory airbox into the Filter Adapter. Secure the sensor using the 8-32 Button Head Screws (#9).

Do Not Use Factory Hardware !



11. A.) Install the 3/8 NPT Fitting (#13) into the Airaid Intake Tube.

B.) Install the Hump Hose (#5), Coupler (#6) and Hose Clamps (#12) on to the Intake tube as shown. Leave Clamps loose for now.



12. Install the Airaid Intake Tube assembly onto the Filter Adapter first, and then onto the throttlebody. Adjust for fit, and tighten all hose clamps. Reinstall the hose anchor into the Airaid Intake Tube.



13. A) Install the 3/8" Breather Hose (#7) onto the Barbed Fitting and factory hard line.



14. Install the Airaid Premium filter (#1) onto the Filter Adapter, and tighten the hose clamp. Install the Weather Strip (#8) onto the Airaid Cold Air Box. Reconnect the M.A.F. sensor. (*Hint: Start from one corner and work your way around for ease of install.*)



15. Reinstall the engine cover.

Double check your work!

Make sure there is no foreign material in the intake path. Make sure all clamps, hoses, bolts, and screws are tight. Double check the hood clearance.

Reconnect the negative battery cable!

Before!



After!



Thank you for purchasing the Airaid Intake System. Contact Airaid @ (800) 498-6951 8:00 AM - 5:00 PM MST weekdays for questions regarding fit or instructions that are not clear to you. Your Airaid Intake System was carefully inspected and packaged. Check that no parts are missing, or were damaged during shipping. If any parts are missing, contact Airaid. The air filter element is protected from direct exposure to water and debris; care should be taken not to drive through deep water. WATER INGESTION IS THE DRIVERS RESPONSIBILITY!

SynthaMax

Do Not Oil



Synthamax Air Filters do not require oil. Service air filter as needed by cleaning with common non-petroleum all-purpose household cleaner and water. Simple Green®, Formula 409® or equivalent works great. Apply cleaner to outside of air filter and allow to soak. Then flush filter clean from the inside out with a garden hose and repeat steps if necessary. Do not apply high pressure water or air to clean filter. Allow filter to air dry and reinstall.