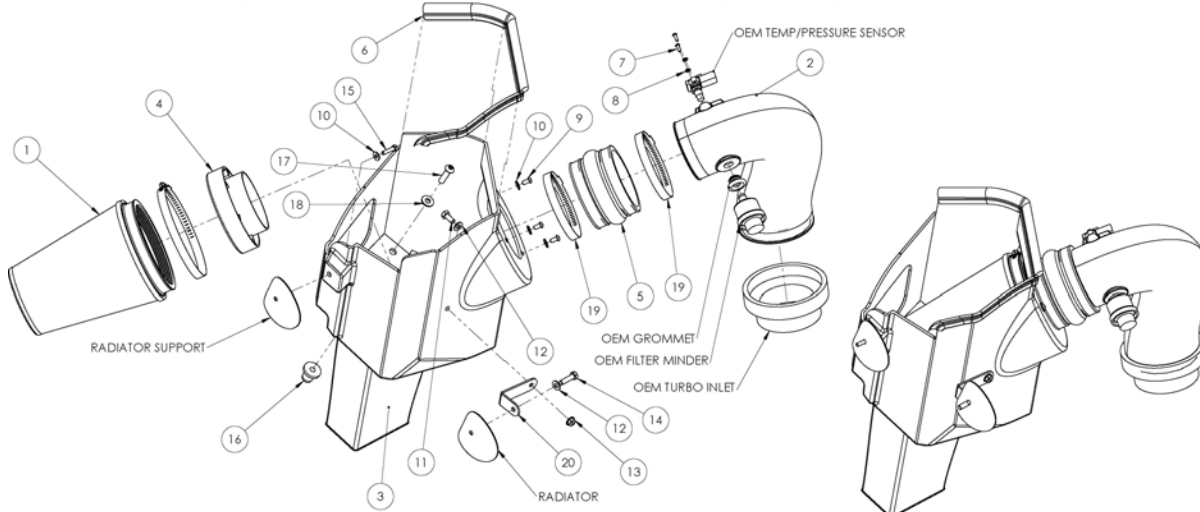




## INTAKE SYSTEMS



ASSEMBLED VIEW



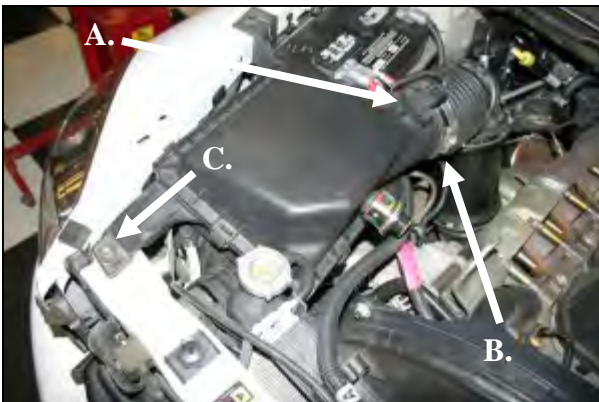
### Installation Instructions Part Number 300-259 MXP 2003-07 Dodge Ram 5.9L Cummins Diesel

#### Packing List:

#1	700-469	Airaid Premium Filter	1
#2	KIT259T	Airaid Intake Tube	1
#3	KIT259CAB	Cool Air Box	1
#4	KIT1121MAFADA	Filter Adapter	1
#5	KITHUMPHS05	Urethane Hump Hose	1
#6	KITWSTRIP03	Weather Strip 22"	1
	KIT259HP	Hardware & Instructions	1
#7	KIT15BHC3050	8/32 x 1/2" Button Head Screw	2
#8	KIT15FW3016	#8 Flat Washer	2
#9	KIT15DHC3050	1/4-20 Button Head Bolt	3
#10	KIT09FWZ019	1/4" Flat Washer	4
#11	KIT31C75HCS5	5/16-18 x 3/4" Hex Head Bolt	1
#12	KIT25NWUSPZ	5/16" Flat Washer	2
#13	KIT31CNNEH	5/16" Flange Nut	1
#14	KIT20CSCZ300	M8 x 1.25 x 30mm Hex Bolt	1
#15	KIT60C25OHCS	M6 x 1 x 25mm Hex Bolt	1
#16	KITNUT01	3/8-16 Well Nut	1
#17	KIT15BHC3150	3/8-16 x 1 1/2" Button Head	1
#18	KIT31WUSPZ	3/8" Flat Washer	1
#19	KITHS72	#72 Hose Clamp	2
#20	KIT259B	#259 L-Bracket	1
	KITBIT01	T20 Torx Bit	1

#### Tools Required For Installation:

Ratchet & Extension  
7mm, 1/4", 5/16", 10mm, 13mm, 1/2" Sockets  
3/32, 5/32", 7/32" Allen Wrenches  
1/2" Wrench  
T20 Torx Bit (supplied)



#### 1. Disconnect the negative battery cables.

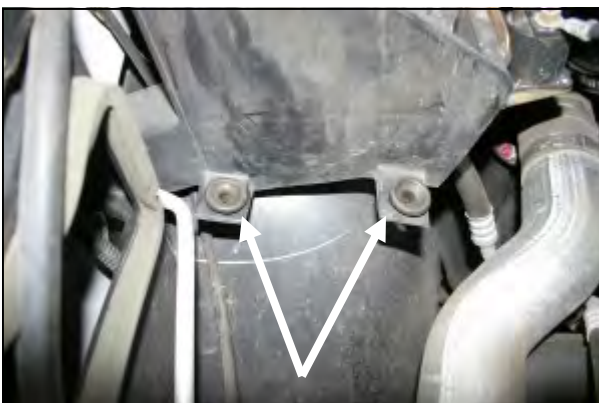
A.) Using the provided T-20 torx bit, remove the two temperature sensor mounting bolts and the sensor from the factory intake tube (set aside for reuse).  
B.) Loosen the hose clamp where the flexible tube connects to the factory airbox lid.  
C.) Using a 10mm socket, remove the nut that secures the factory airbox to the radiator mount.



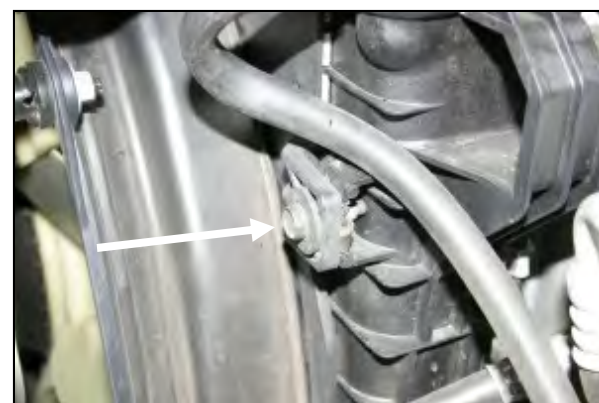
2. Slide the flexible intake tube off of the factory air-box lid and then rock the factory airbox assembly side to side to release it from the mounting grommets, and remove it from the vehicle.



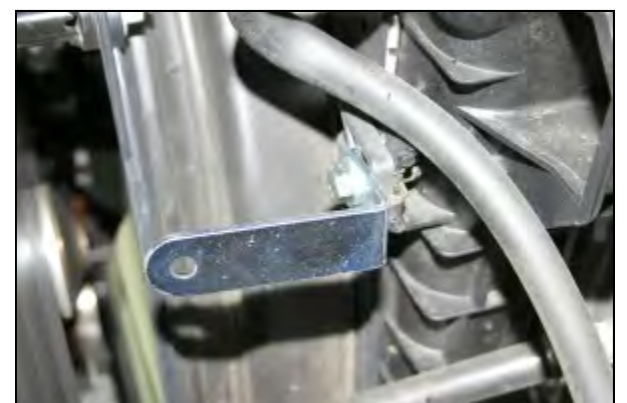
3. Loosen the hose clamp that secures the factory intake tube assembly to the rubber elbow on the turbo inlet, and remove the assembly from the vehicle.



4. Remove the two grommets that held the factory airbox in position.



5. Using a 13mm socket remove one bolt that secures the fan shroud to the radiator on the passenger side of the vehicle.



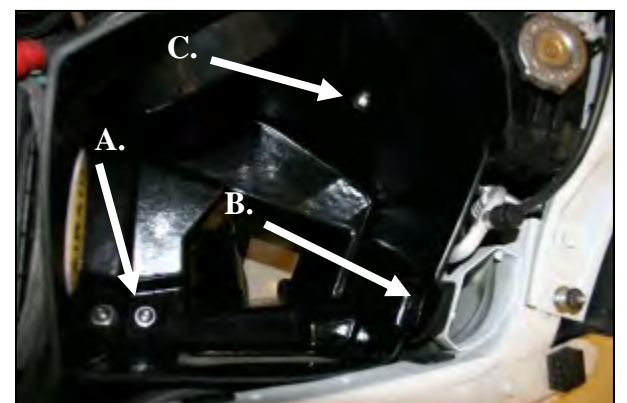
6. Install the L-bracket (#20) onto the radiator shroud using one M8 x 30mm bolt (#14) and one flat washer (#12) as shown. Leave the bolt slightly loose for now.



7. Install the supplied well nut (#16) into the factory airbox mounting hole closest to the fender as shown.



8. Install the filter adapter (#4) into the Cool Air Box (#3) using three 1/4" Button Head bolts (#9) and flat washers (#10) as shown.



9. Install the CAB into the vehicle as shown. A.) Install the 3/8" button head bolt (#17) and flat washer (#18) thru the CAB and into the well nut. B.) Install the 6mm x 25mm hex bolt (#15) and flat washer (#10) thru the CAB and into the captured nut in the fender. C.) Install the 5/16" bolt (#11) flat washer (#12), and flange nut (#13) thru the CAB and L-bracket. Tighten all mounting bolts at this time.





10. Install the supplied hump hose (#5) onto the filter adapter using two #72 hose clamps. Leave the clamps loose for now.



11. Install the Airaid Intake Tube (#2) into the factory turbo elbow and then into the hump hose. Adjust for fit, and then tighten all three hose clamps. Reinstall the intake temperature sensor into the Airaid Intake Tube using two 8-32 button head screws (#7) and #8 flat washers (#8). **Do Not Use The Factory Screws!**



12. Install the Airaid Premium Filter (#1) onto the filter adapter and tighten the clamp. Install the weatherstrip onto the top of the CAB starting at the right fender and working your way towards the radiator. Next reinstall the factory filter minder and grommet into the Airaid Intake Tube.

### 13. Double check your work!

Make sure there is no foreign material in the intake path. Make sure all clamps, hoses, bolts, and screws are tight.

### 14. Reconnect the negative battery cables!

Thank you for purchasing the Airaid Intake System. Contact Airaid @ (800) 498-6951 8:00 AM - 5:00 PM MST weekdays for questions regarding fit or instructions that are not clear to you. Your Airaid Intake System was carefully inspected and packaged. Check that no parts are missing, or were damaged during shipping. If any parts are missing, contact Airaid. The air filter element is protected from direct exposure to water and debris; care should be taken not to drive through deep water. WATER INGESTION IS THE DRIVERS RESPONSIBILITY! The air filter is reusable and should be cleaned using the Airaid Filter Tune-Up Kit periodically.

*Before!*



*After!*



## Don't Forget Your AIRAID Filter Tune-Up Kit!



P/N 790-551 Aerosol Spray  
P/N 790-550 Squeeze Spray

Instructions Revision  
Date: 05/13/08