

# AIR AID

## INTAKE SYSTEMS



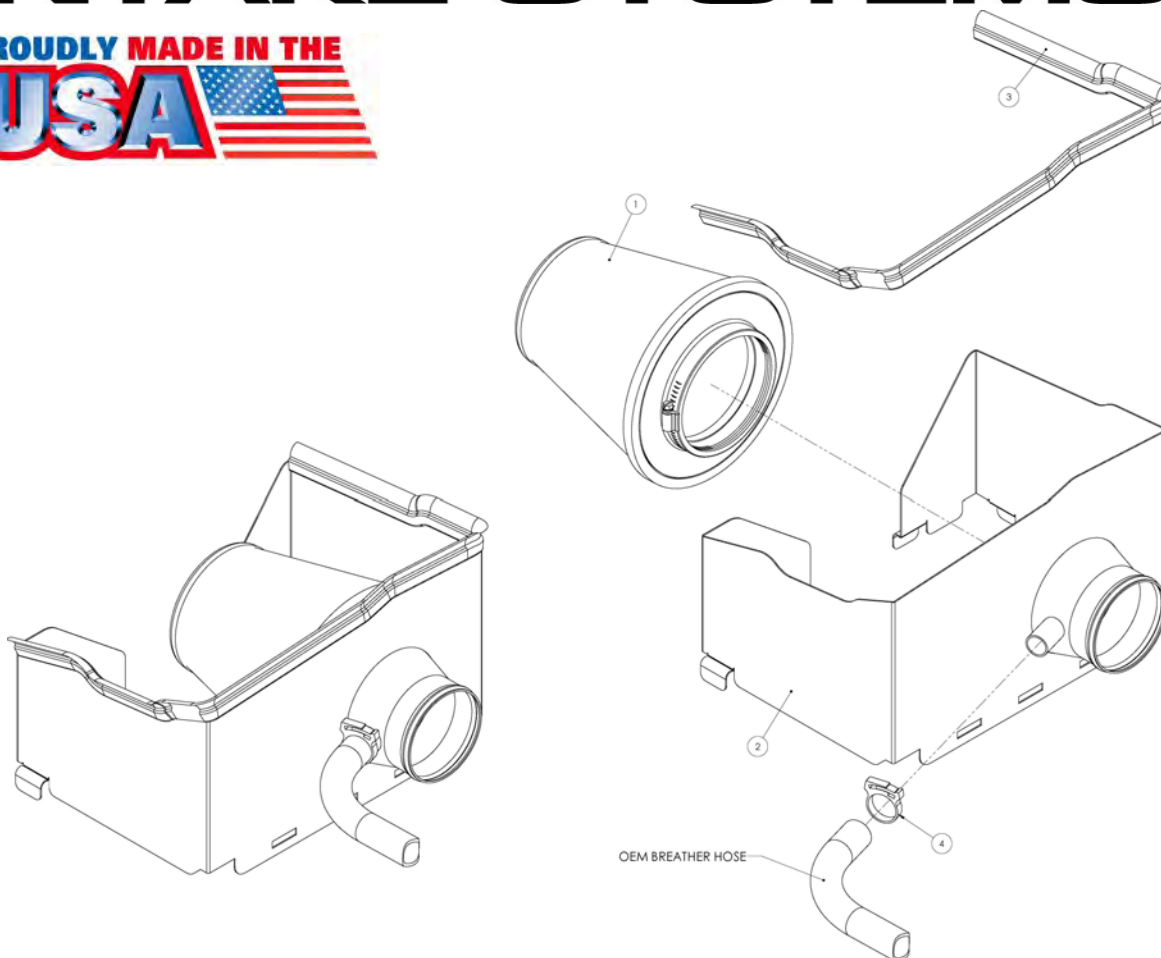
® Installation Instructions  
 Part Number 301-192 Quick Fit  
 2006-08 Dodge Ram  
 3.7L, 4.7L, & 5.7L V-8

### Packing List:

#1	701-445	Airaid Premium Filter	1
#2	KIT192DC	Cool Air Dam	1
#3	KITWSTRIP02	Weather Strip 32 3/4"	1
	KIT192HPS	Hardware & Instructions	1
#4	KITSNP24GHS	Speed Clamp	x1

### Tools Required For Installation:

5/16" Socket, Extension & Ratchet  
 OR  
 Standard Screwdriver



**1. Disconnect the negative battery cable!**  
 Disconnect the factory breather hose from the air cleaner lid.



**2. Unlatch 4 clips that hold down the factory airbox lid.**  
 Loosen the hose clamp on the factory intake tube where it connects to the airbox lid, then remove the lid.



**3. Remove the factory air cleaner.**



**4. Install the Quick Fit Panel (#2) by slipping it into the factory intake tube, and then sliding it over the tabs on the factory airbox base. Adjust it for fit on top of the airbox base, and re-latch the 4 clips to hold the Quick Fit Panel securely in place.**



5. Slide the factory intake tube all the way onto the **Quick Fit Panel** tube and tighten the hose clamp. Slip the #24 speed clamp(#4) over the factory breather hose and re-connect the factory breather hose to the nipple on the **Quick Fit Panel**. Squeeze the speed clamp to secure the breather hose.



6. Install the Airaid Premium Filter (#1) onto the tube of the **Quick Fit Panel** as shown, and tighten the hose clamp. Now install the weather strip (#3) on top of the **Quick Fit Panel**. (Hint: Start with the end of the weather strip at one corner, and work your way around to the other corner.)

**7. Double check your work!**

Make sure there is no foreign material in the intake path. Make sure all clamps and hoses are tight.

**8. Reconnect the negative battery cable!**

Thank you for purchasing the Airaid Intake System. Contact Airaid @ (800) 498-6951 8:00 AM - 5:00 PM MST weekdays for questions regarding fit or instructions that are not clear to you. Your Airaid Intake System was carefully inspected and packaged. Check that no parts are missing, or were damaged during shipping. If any parts are missing, contact Airaid. The air filter element is protected from direct exposure to water and debris; care should be taken not to drive through deep water. **WATER INGESTION IS THE DRIVERS RESPONSIBILITY!**

***Before!***



***After!***



***SynthaMax***

**Do Not Oil**

Synthamax Air Filters do not require oil. Service air filter as needed by cleaning with common non-petroleum all-purpose household cleaner and water. Simple Green®, Formula 409® or equivalent works great. Apply cleaner to outside of air filter and allow to soak. Then flush filter clean from the inside out with a garden hose and repeat steps if necessary. Do not apply high pressure water or air to clean filter. Allow filter to air dry and re-install.



Instructions Revision  
Date: 10/26/10