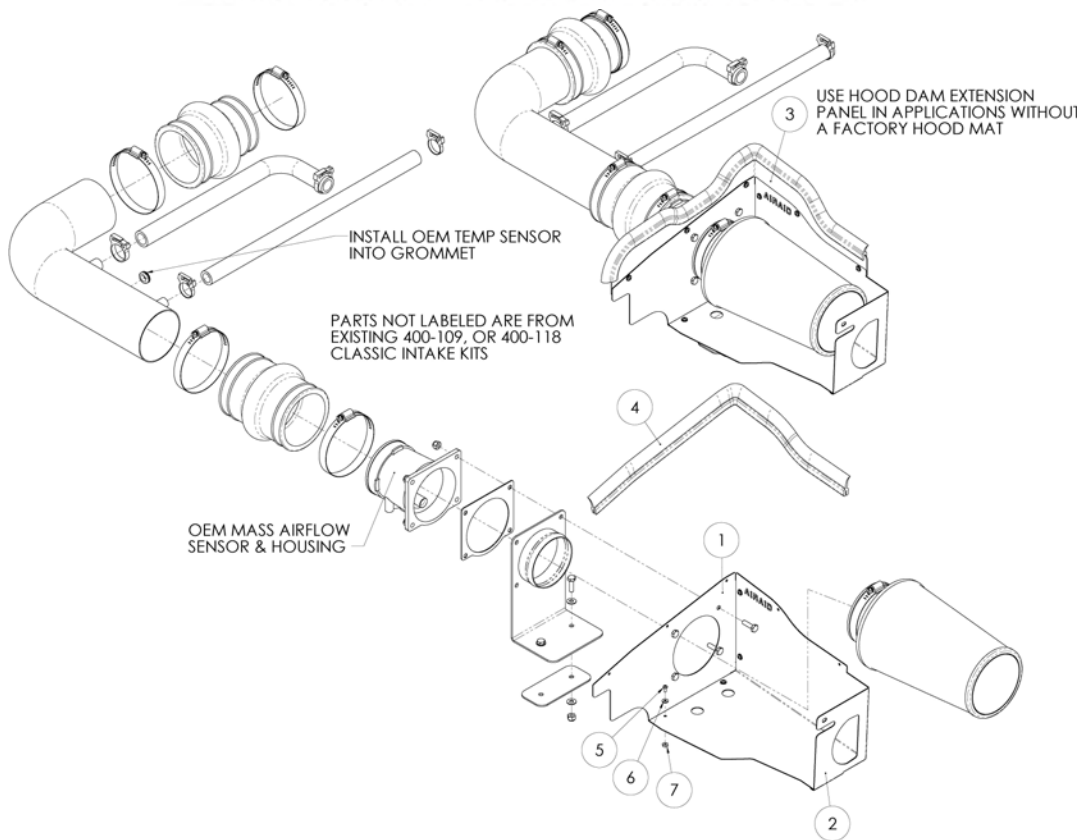




INTAKE SYSTEMS

Installation Instructions
Part Number 400-241
This Is Not A Complete Kit
This Is A Retro Fit Kit
To Be Used Only With Airaid
Part #s 400-109 & 400-118
1997-2004 Ford F-150/Expedition
4.6L, 5.4L V-8



Packing List:

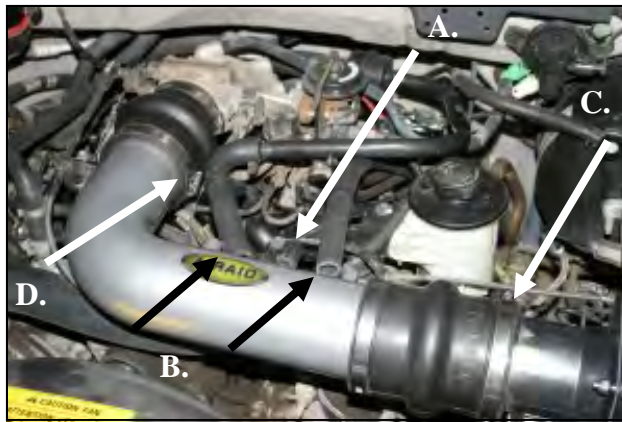
#1	KIT109MAFPC	MAF Panel	1
#2	KIT109BPC	Bottom Panel	1
#3	KIT109HDC	Panel Extension	1
#4	KITWSTRIP02	Weather Strip 23"	1
	KIT241HP	Hardware & Instructions	1
#5	KIT6C31MXPPZ	6-32 x 5/16" Phillips Screw	9
#6	KIT6NWSAPZ	#6 Flat Washer	9
#7	KIT6CNKEPZ	6-32 Keps Nut	9

Tools Required For Installation:

10mm, 5/16", 7/16", Sockets
 Ratchet & Extension
 7/16", Wrench
 Phillips Screwdriver



1. **Disconnect the negative battery cable.** Remove the three bolts that secure the beauty cover over the throttlebody. Remove the beauty cover and set these parts aside for reinstallation in step #10..



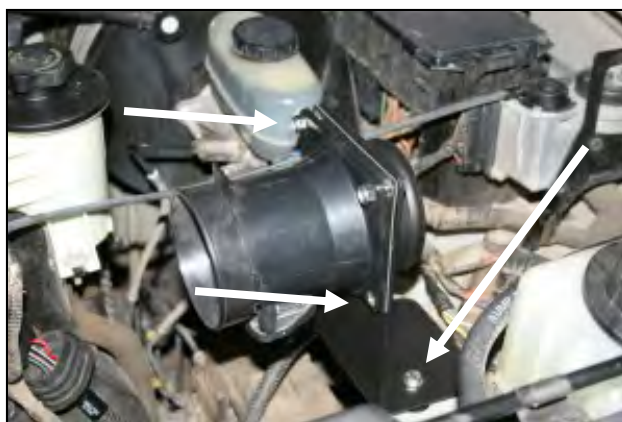
2.A). Disconnect the temperature sensor wiring harness from intake air temperature sensor.
 B). Disconnect the two rubber hoses from the air intake tube.
 C). Loosen the hose clamp that secures the hump hose to the Mass Air Flow sensor (MAF) housing.
 D). Loosen the hose clamp that secures the air intake tube to the reducing hump hose. Remove the air intake tube from the vehicle.



3. Loosen the hose clamp and remove the air filter from the vehicle.



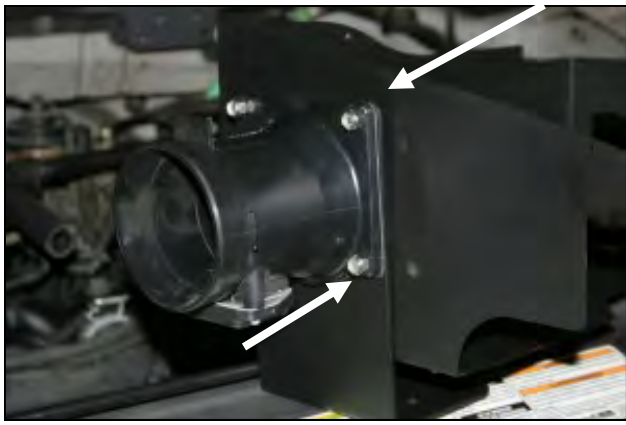
4. Using a 10mm socket, remove and save the 6mm bolt that secures the radiator overflow tank to the driver's side inner fender.



5. Remove the four bolts that secure the MAF sensor housing to the MAF bracket. Remove the MAF sensor housing and gasket and set them aside. These parts will be reused in step #7. Next remove the MAF bracket from the vehicle. The bracket and mounting hardware will be reused in step #9.



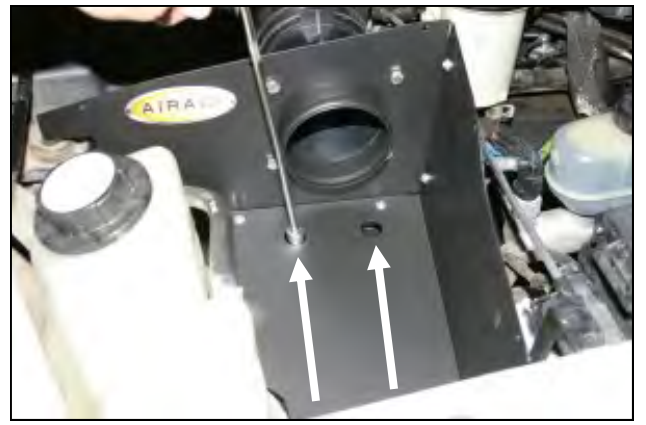
6. Assemble the two panels (#1) & (#2) as shown using four 6-32x3/8" Phillips head screws (#5), #6 flat washers (#6), and Kep nuts (#7).



7. Assemble the MAF sensor housing, MAF gasket, MAF bracket and two panels as shown using the four bolts and nuts from step #5.



8. Install the panel assembly into the vehicle aligning the panel mounting hose over the top of the radiator overflow tank. Replace the 6mm bolt that was removed in step #4 into the inner fender.



9. Reinstall the mounting hardware from step #5 securing the MAF bracket to the factory mounting bracket.



10. Reinstall the air intake tube and tighten the two hose clamps. Reconnect the two rubber hoses to the intake tube. Reconnect the air intake temperature sensor wiring harness. Reinstall the engine beauty cover using the three factory bolts from step #1.



11. If you **Do** have a hood mat, install the Airaid Premium Filter onto the MAF bracket and tighten the filter. Next install the weatherstrip (#4) onto the top of the panel assembly as shown. *If your vehicle **Does Not** have a hood mat, proceed to step # 12.*



12. If your vehicle **Does Not** have a hood mat, install the panel extension (#4) as shown using five 6-32 Phillips head screws (#5), flat washers (#6), and kep nuts (#7). Next install the weatherstrip (#4) onto the top of the panel assembly as shown.

13. Double check your work!

Make sure there is no foreign material in the intake path. Make sure all clamps, hoses, bolts, nuts, connectors, and screws are tight.

Reconnect the negative battery cable!

Before!



After!



Thank you for purchasing the Airaid Intake System. Contact Airaid @ (800) 498-6951 8:00 AM - 5:00 PM MST weekdays for questions regarding fit or instructions that are not clear to you. Your Airaid Intake System was carefully inspected and packaged. Check that no parts are missing, or were damaged during shipping. If any parts are missing, contact Airaid. The air filter element is protected from direct exposure to water and debris; care should be taken not to drive through deep water. WATER INGESTION IS THE DRIVERS RESPONSIBILITY! The air filter is reusable and should be cleaned using the Airaid Filter Tune-Up Kit periodically.

Don't Forget Your AIRAID Filter Tune-Up Kit!



P/N 790-551 Aerosol Spray
P/N 790-550 Squeeze Spray



Instructions Revision
Date: 11/10/09