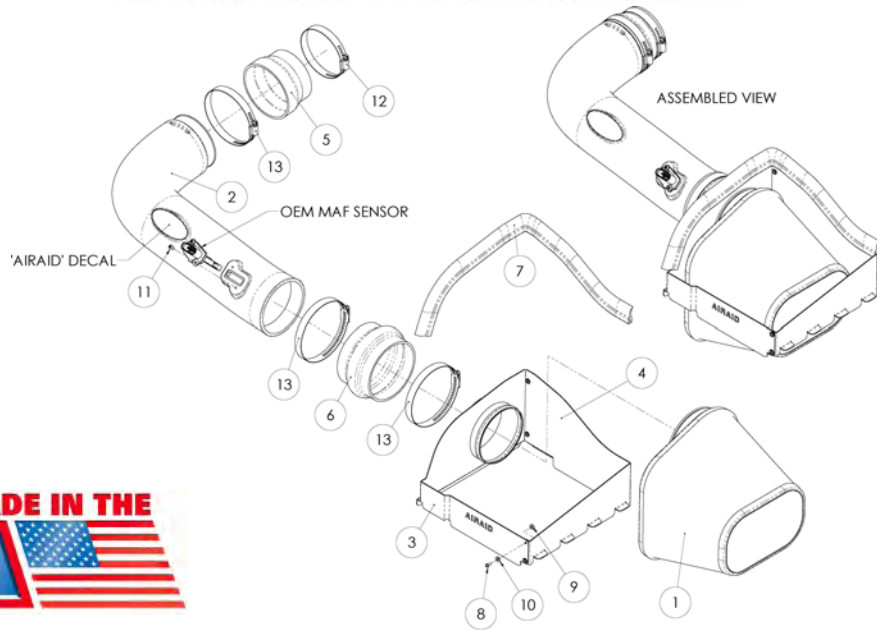




INTAKE SYSTEMS



Installation Instructions Part Number 401-257 2010 Ford Raptor 5.4l

Packing List:

| | | | |
|-----|--------------|-------------------------------|---|
| #1 | 721-478 | Airaid Premium Filter | 1 |
| #2 | KIT231T | Airaid Intake Tube | 1 |
| #3 | KIT257 FPC | Front Panel | 1 |
| #4 | KIT257RPC | Rear Panel | 1 |
| #5 | KITRDCR10 | Silicone Reducer Coupler | 1 |
| #6 | KITHUMPHS25 | Silicone Hump Hose | 1 |
| #7 | KITWSTRIP02 | Weather Strip 23" | 1 |
| | KIT231HPS | Hardware & Instructions | 1 |
| #8 | KIT6C31MXPPZ | 6-32 x 5/16" Screw | 4 |
| #9 | KIT6CNKEPZ | 6-32 Keps Nut | 4 |
| #10 | KIT6NWSAPZ | #6 Flat Washer | 4 |
| #11 | KIT15BHC3038 | 8-32 x 3/8" Button Head Screw | 2 |
| #12 | KITHS52 | #52 Hose Clamp | 1 |
| #13 | KITHS64 | #64 Hose Clamp | 3 |
| #14 | KITBIT#T20 | T-20 Torx Driver | 3 |

Tools Required For Installation:

3/32" Allen Wrench
5/16", Socket
Ratchet & Extension
Phillips Screwdriver



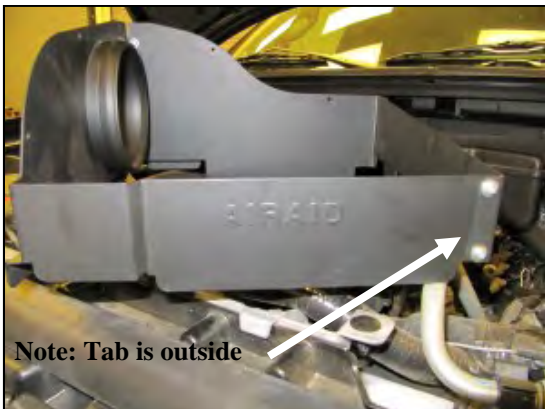
1. Disconnect the negative battery cable!
Loosen the two intake clamps and remove the Factory intake tube.



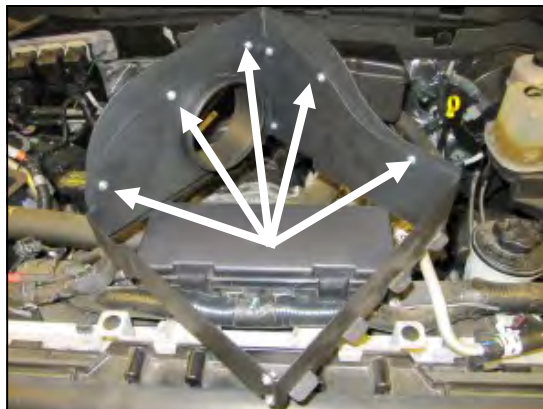
2. A.) Disconnect the Mass Air Flow (MAF) Sensor.
B.) Unfasten the three airbox clips on the left side, and remove the upper half of the factory airbox.



3. Remove the factory air filter from the lower half of the airbox.



4. Assemble the two Quick Fit panels (#3 & #4) as shown using four 6-32 screws (#9) flat washers (#11) and keps nuts (#10).
Note: Tab is outside



5. For F-150 models only:
Fasten the Extension panel (#5) to the outside of the panel assembly using the remaining 6-32 screws, flat washers, and keps nuts.



6. A.) Install the Silicone Hump Hose (#7) and two #64 Hose Clamps(#14) onto the Quick Fit assembly. Leave the clamps loose for now.
B.) Install the assembly onto the lower half of the factory airbox. Slide the metal tabs into the airbox slots, and fastened the 3 airbox clips.



7. Install the Silicone Coupler (#6), one #64 Hose Clamp(#14), and the #52 Hose clamp (#13) onto the engine air inlet. Leave the clamps loose for now.



8. Transfer the MAF sensor into the Airaid Intake Tube (#2) and secure using two 8-32 x 3/8" button head screws (#11). **Do Not Use The Factory Torx Head Screws !**



9. A.) Insert the Airaid Intake Tube into the couplers as shown. Check for alignment, and tighten all clamps.
B.) Re connect the Mass Air Flow Sensor.



10. Install the Airaid Premium Filter (#1) to the mounting flange inside the quick fit assembly. Complete the installation by attaching the Weather Strip (#5) to the top of the panels as shown.

11. Double check your work!

Make sure there is no foreign material in the intake path. Make sure all clamps, hoses, bolts, and screws are tight. intake path. Make sure all clamps, hoses, bolts, and screws are tight. Periodically check the tightness of all hose clamps.

12. Re-connect the negative battery cable!

Before!



After!



Thank you for purchasing the Airaid Intake System. Contact Airaid @ (800) 498-6951 8:00 AM - 5:00 PM MST weekdays for questions regarding fit or instructions that are not clear to you. Your Airaid Intake System was carefully inspected and packaged. Check that no parts are missing, or were damaged during shipping. If any parts are missing, contact Airaid. The air filter element is protected from direct exposure to water and debris; care should be taken not to drive through deep water. WATER INGESTION IS THE DRIVERS RESPONSIBILITY!

SynthaMax[®]

Do Not Oil



Synthamax Air Filters do not require oil. Service air filter as needed by cleaning with common non-petroleum all-purpose household cleaner and water. Simple Green[®], Formula 409[®] or equivalent works great. Apply cleaner to outside of air filter and allow to soak. Then flush filter clean from the inside out with a garden hose and repeat steps if necessary. Do not apply high pressure water or air to clean filter. Allow filter to air dry and reinstall.