



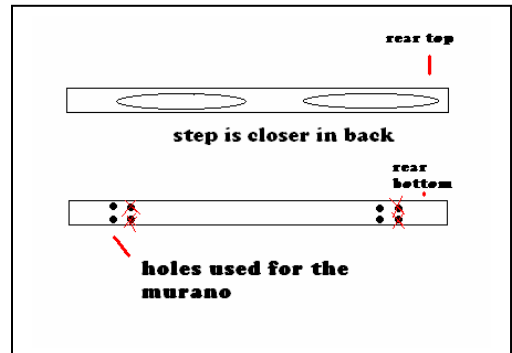
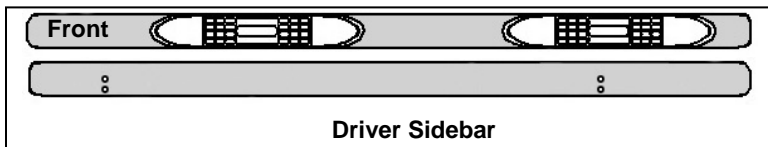
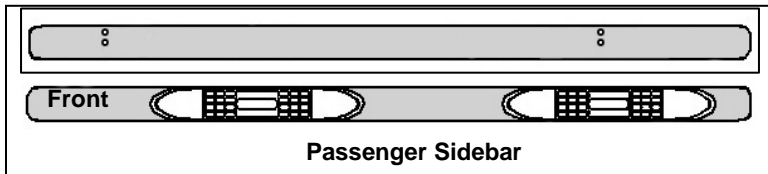
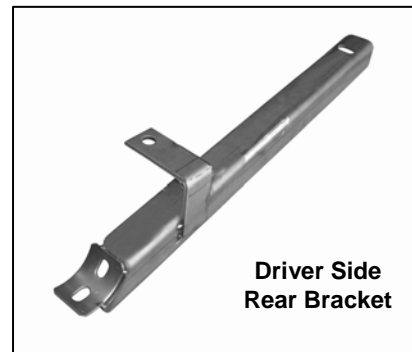
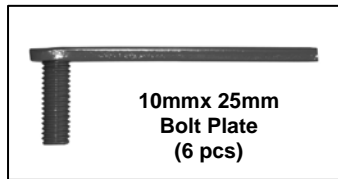
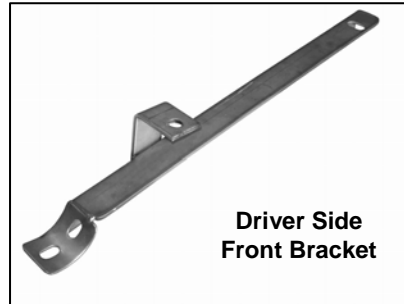
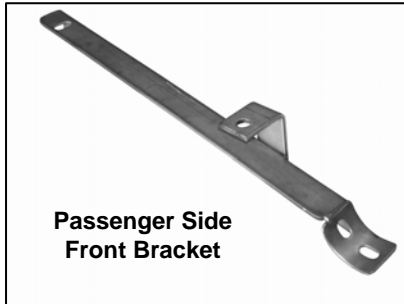
INSTALLATION INSTRUCTIONS

2009-10 NISSAN MURANO

PART # 209012-2

PARTS LIST:

1	Driver/Left Sidebar	2	12-1.75mm x 25mm Bolt Plates (65mm x 20mm plate)
1	Passenger/Right Sidebar	2	12mm Lock Washers
1	Driver/Left Front Mounting Bracket	2	12mm ID x 29mm OD x 3mm Flat Washers
1	Driver/Left Rear Mounting Bracket	2	12mm Hex Nuts
1	Passenger/Right Front Mounting Bracket	6	10-1.50mm x 20mm Bolt Plates (90mm x 13mm plate)
1	Passenger/Right Rear Mounting Bracket	6	10mm Lock Washers
		6	10mm ID x 26mm OD x 3mm Flat Washers
		6	10mm Hex Nuts
		8	8-1.25mm x 25mm Hex Head Bolts
		8	8mm Lock Washers
		8	8mm ID x 22mm OD x 1.5mm Flat Washers



PROCEDURE:

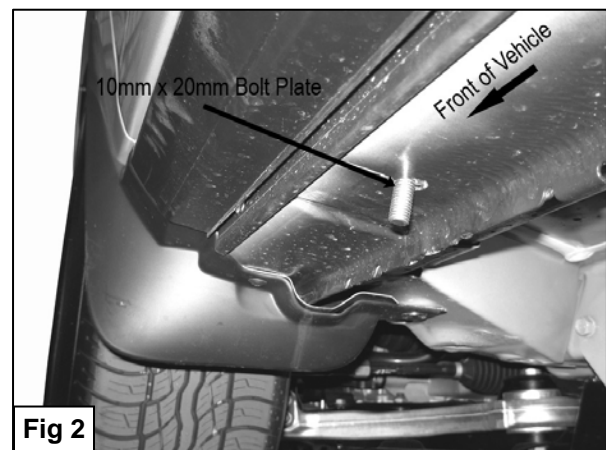
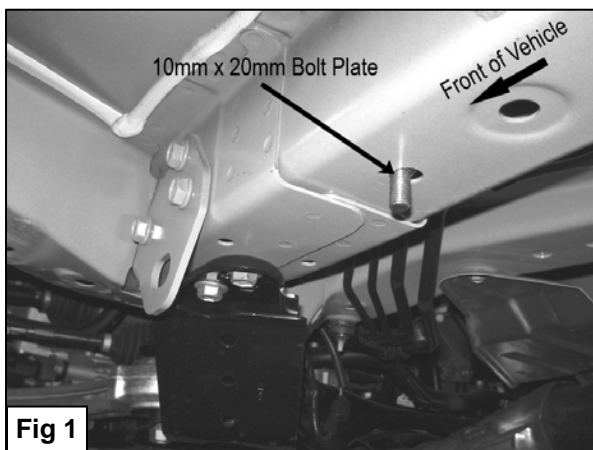
1. **REMOVE CONTENTS FROM BOX. VERIFY ALL PARTS ARE PRESENT. READ INSTRUCTIONS CAREFULLY BEFORE STARTING INSTALLATION.**
2. Locate the two factory holes in the driver side frame rail towards the lower sub frame and insert (1) 10mm x 25mm Bolt Plate through front factory hole. **NOTE:** Insert Bolt Plate from front to back, and once it's inside the frame push all the way towards the front of the vehicle to fully engage **(Figure 1)**.
3. On the outer side of pinch weld, there are several rubber plugs in the floor panel. Remove the rubber plug that lines up with the previously inserted Bolt Plate, then insert (1) 10mm x 25mm Bolt Plate. **NOTE:** Insert Bolt Plate from front to back, and once it's inside the frame push all the way towards the front of the vehicle to fully engage **(Figure 2)**.
4. Partially hang driver side front Mounting Bracket to already inserted Bolt Plates using the included (2) 10mm Hex Nuts, (2) 10mm Lock washers, and (2) 10mm Flat Washers **(Figure 3, 4 & 5)**. **IMPORTANT!** Make sure that the Bolt Plate doesn't disengage when mounting the Bracket to the vehicle.
5. Locate the slotted hole in the rear end of frame rail and insert (1) 12mm x 30mm Bolt Plate. **NOTE:** Insert Bolt Plate from front to back, and once it's inside the frame push all the way towards the front of the vehicle to fully engage **(Figure 6)**.
6. Remove the rubber plug on the outer side of pinch weld that lines up with the previously inserted Bolt Plate, then insert (1) 10mm x 25mm Bolt Plate **(Figure 7)**.
7. Partially hang the driver side rear Mounting Bracket to already inserted Bolt Plates using the included (1) 10mm Hex Nuts, (1) 10mm Lock washers, and (1) 10mm Flat Washers on the outer Bolt Plate and (1) 12mm Lock Washer, (1) 12mm Hex Nut, and (1) 12mm Flat Washer on the inner Bolt Plate **(Figure 8, 9 & 10)**. **IMPORTANT!** Make sure that the Bolt Plate doesn't disengage when mounting the Bracket to the vehicle.
8. Position driver Sidebar onto Mounting Brackets. Use the included (4) 8mm x 25mm Hex Head Bolts, (4) 8mm Lock Washers, and (4) 8mm Flat Washers to attach Sidebar to Mounting Brackets **(Figure 11 & 12)**.
9. Adjust the Sidebar properly and then tighten all hardware at this time. **IMPORTANT!** Make sure that the Bolt Plates do not disengage when tighten the Mounting Brackets.
10. Repeat steps 2 – 8 for passenger Sidebar.
11. Do periodic inspections to the installation to make sure that all hardware is secure and tight.

To protect your investment, wax this product after installing. Regular waxing is recommended to add a protective layer over the finish. Do not use any type of polish or wax that may contain abrasives that could damage the finish.

For stainless steel: Aluminum polish may be used to polish small scratches and scuffs on the finish. Mild soap may be used also to clean the Sidebar.

For gloss black finishes: Mild soap may be used to clean the Sidebar

(Driver Side Front Mounting Bracket Installation Shown)



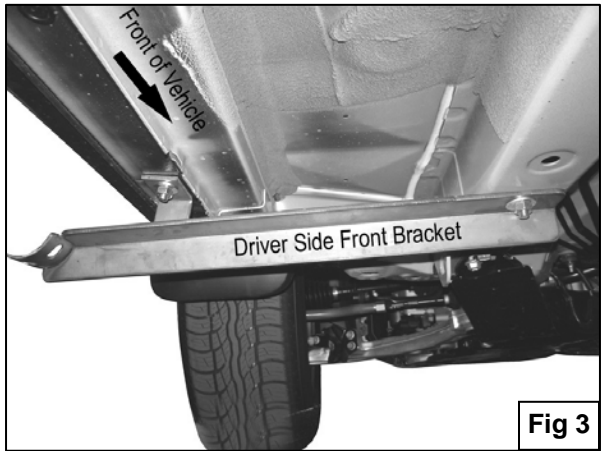
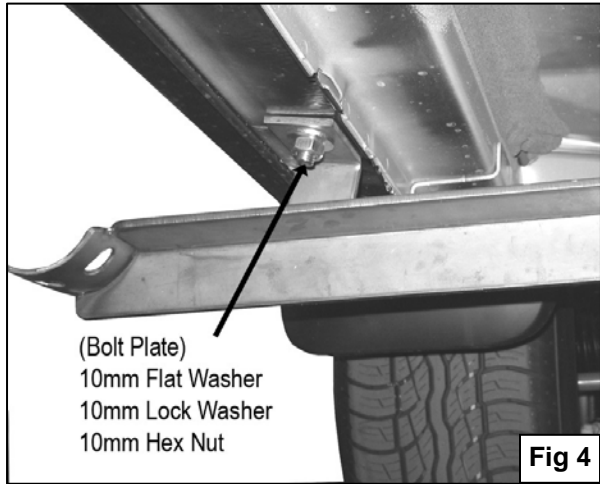
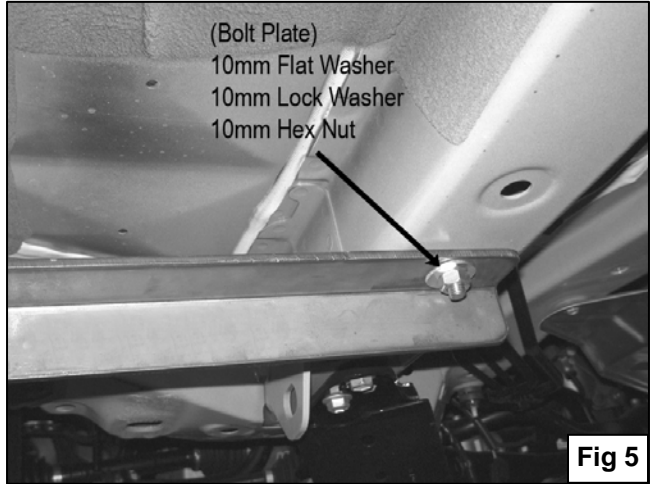


Fig 3



(Bolt Plate)
10mm Flat Washer
10mm Lock Washer
10mm Hex Nut

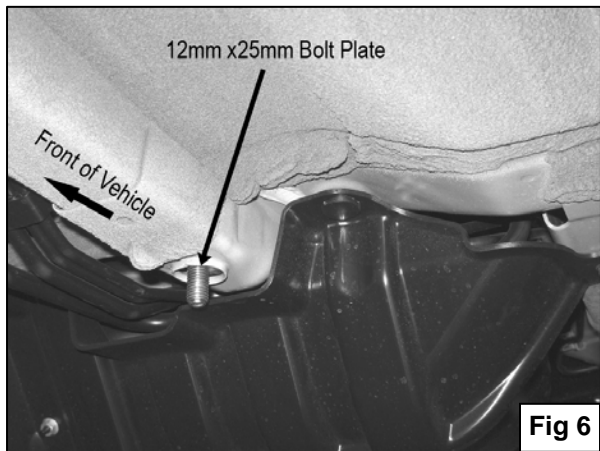
Fig 4



(Bolt Plate)
10mm Flat Washer
10mm Lock Washer
10mm Hex Nut

Fig 5

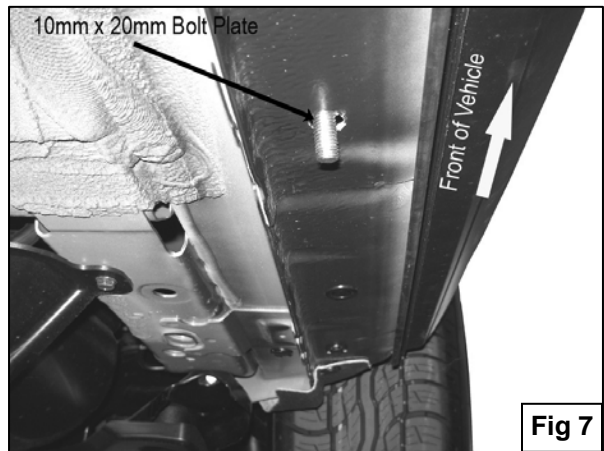
(Driver Side Rear Mounting Bracket Installation Shown)



12mm x 25mm Bolt Plate

Front of Vehicle

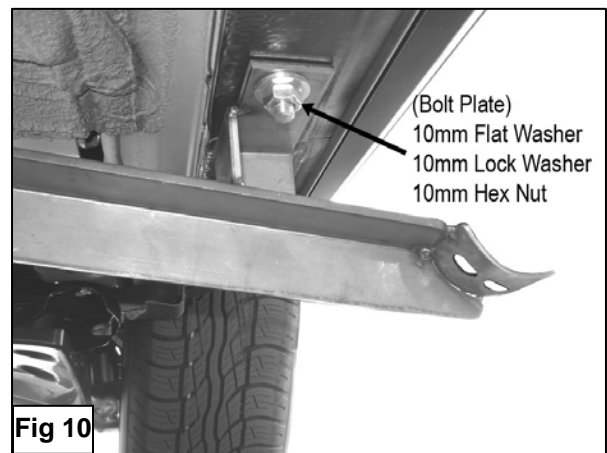
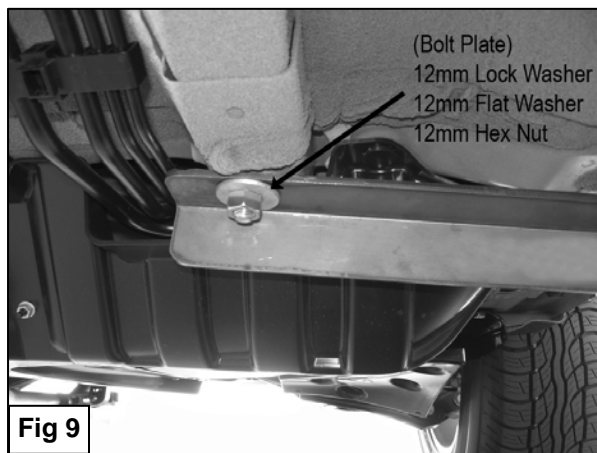
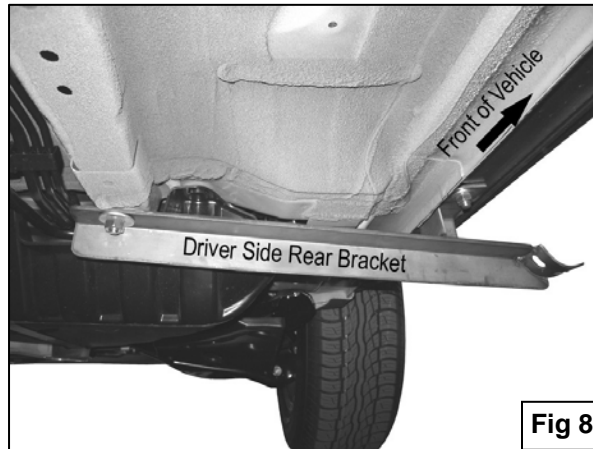
Fig 6



10mm x 20mm Bolt Plate

Front of Vehicle

Fig 7



(Driver Sidebar Installation Shown)

