




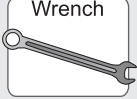


# Installation Instructions EZ Roll Tonneau

## Vehicle Application:

- Ford F-150 Styleside  
6.5' Short Bed (Except Heritage)  
2004 – 2007  
Part Number: 17111

[www.Bestop.com](http://www.Bestop.com) - We're here to help! Visit our web site and click on "[Ask a Question](#)". Click here for more [Truck Accessories by Bestop](#).

INSTALLATION TIME	SKILL LEVEL
  <b>1/2 Hour</b>	<div style="display: flex; justify-content: space-around;"> <div style="border: 1px solid black; border-radius: 50%; width: 30px; height: 30px; display: flex; align-items: center; justify-content: center;">1</div> <div style="border: 1px solid black; border-radius: 50%; width: 30px; height: 30px; display: flex; align-items: center; justify-content: center;">2</div> <div style="border: 1px solid black; border-radius: 50%; width: 30px; height: 30px; display: flex; align-items: center; justify-content: center;">3</div> <div style="border: 1px solid black; border-radius: 50%; width: 30px; height: 30px; display: flex; align-items: center; justify-content: center;">4</div> </div> <b>1 - Easy</b>

TOOLS		
 Wrench 1/2"	 Scissors	 Safety Glasses

**NOTE** Wash vehicle to ensure that no dirt or abrasive materials are caught between the truck's finish and the Tonneau Rail Frame.

Check and secure all clamps to bed frame as indicated in the installation instructions before operating your vehicle.

Tonneau cover clamps must be securely attached prior to vehicle operation.

Secure retaining straps when cover is in open position.

**CAUTION** Safety glasses should be worn at all times while installing this product.

### Installation Tips

Before you begin installing this assembly, read all instructions thoroughly.

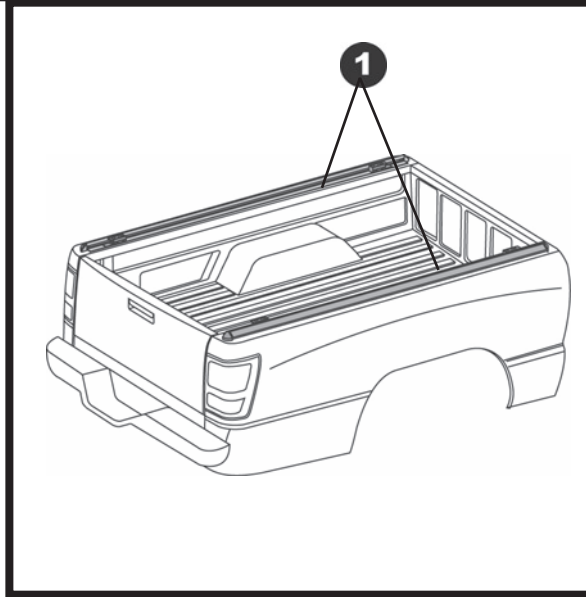
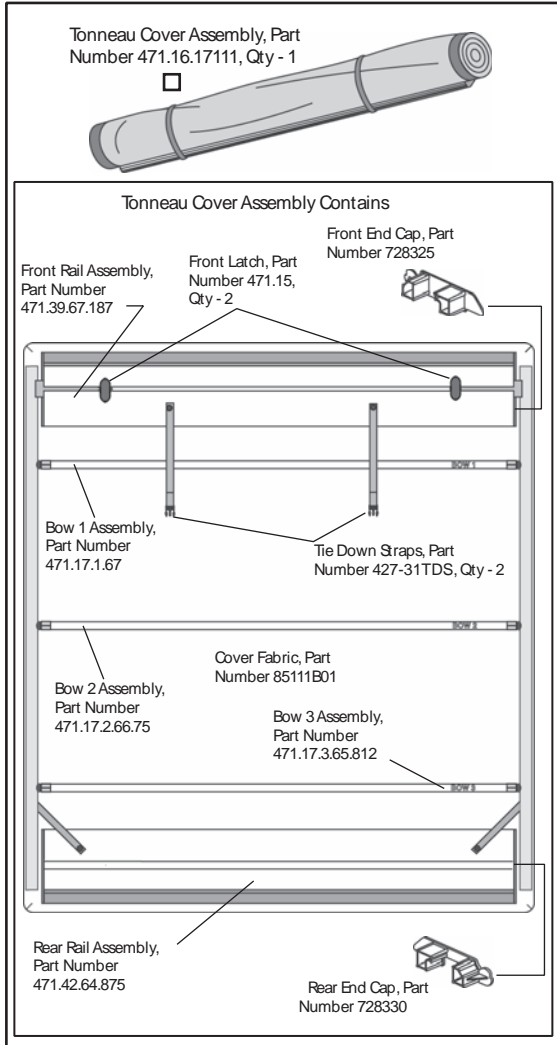
#### For a smooth fit:

For ease in installation, the product should be installed at temperatures above 72° F. Below this temperature, the fabric may contract an inch or more, making it difficult to fit to the vehicle. It is normal for fabric to contract and wrinkle when stored in the shipping carton. Within a few days after the installation, the fabric will relax and the wrinkles will disappear.

**WARNING** The buckle of each retaining strap and both clamps must be fastened securely to avoid damage to personal property or possible personal injury.  
If the vehicle has an Over-the-Rail Bedliner, use a certified installer to perform the initial installation. Modifications to the Bedliner may be required.

# EZ Roll Tonneau Installation Instructions

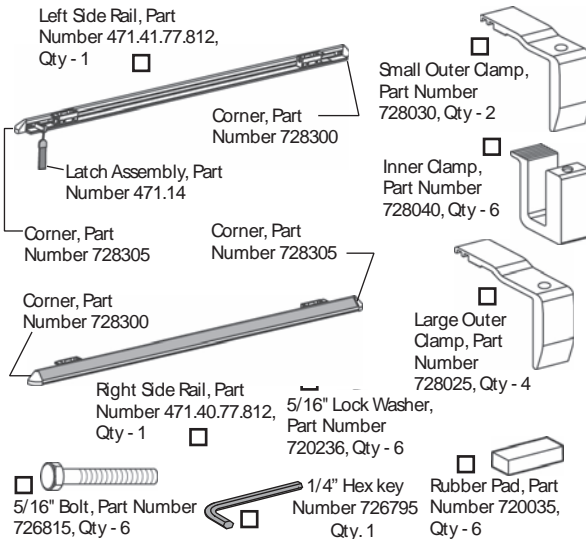
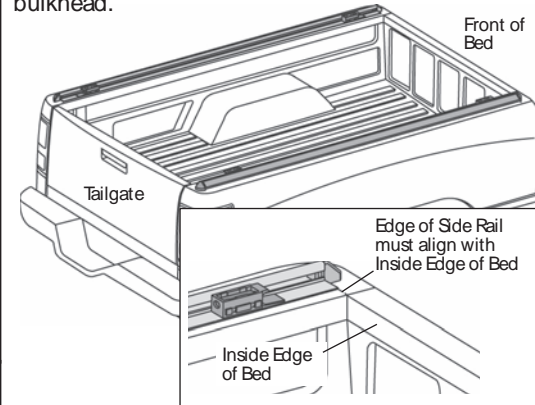
## Parts List



## 1 Place Side Rails on Bed

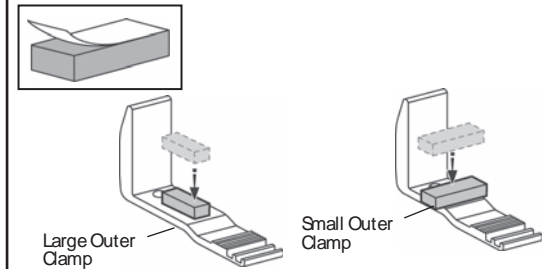
Locate the 2 side rails. Remove the protective tape on the bottom of each rail and place the rail on the bed on each side of the vehicle.

Once the rails are on the bed, align the front edge of each Side Rail, with the inside edge of the front bulkhead.



## 2 Install Rubber Pads on Outer Clamps

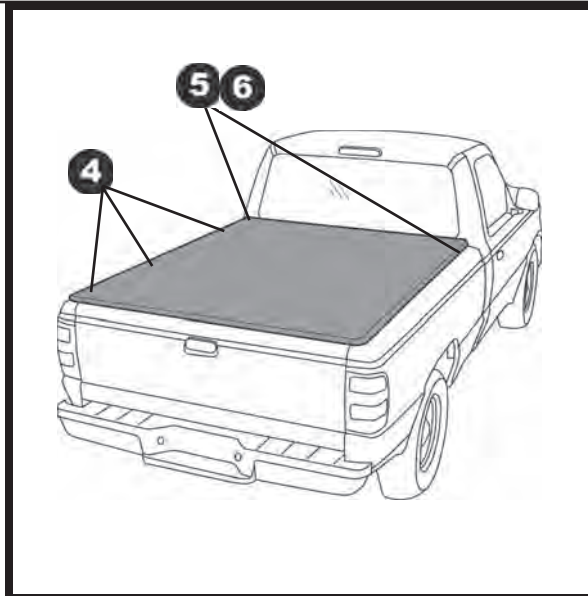
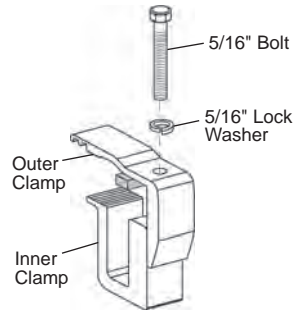
Peel the backing off Rubber Pads and press firmly into place on bottom of Outer Clamps. Install Pads longwise on Large Outer Clamps and across Small Outer Clamps. Repeat for all Outer Clamps.



# EZ Roll Tonneau Installation Instructions

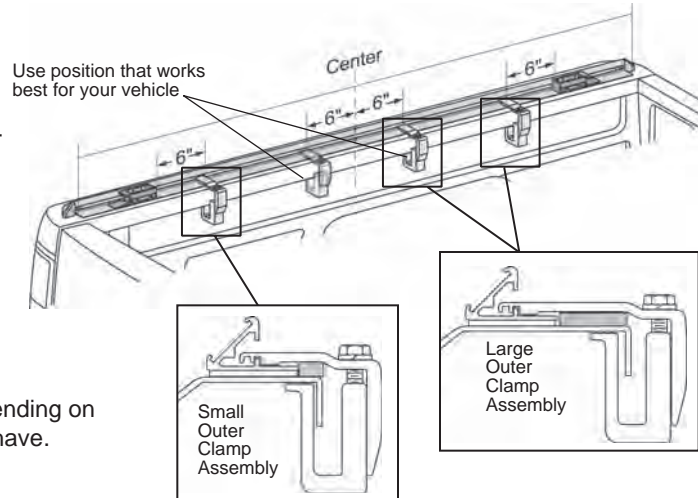
## 3 Assemble Clamps

Use the 5/16" Bolts and 5/16" Lock Washers to assemble the Large and Small Outer Clamps to the Inner Clamps. Create six (6) Clamp Assemblies.



## 4 Place Clamps

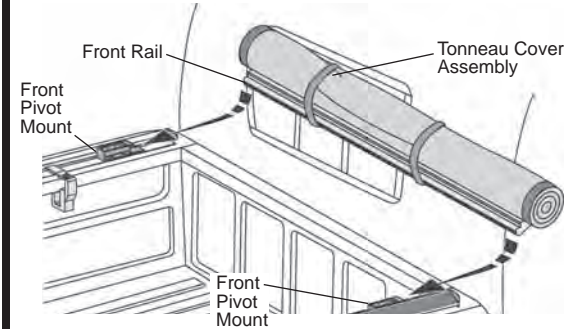
Place a Large Outer Clamp Assembly on the Side Rail 6" behind the front pivot mount. Place the a Small Outer Clamp Assembly 6" in front of the rear pivot mount. Locate the center of the Side Rail and place the remaining Large Outer Clamp Assembly either 6" in front of this point or 6" behind it as needed for your vehicle. Do Not Tighten the Clamps at this time. Repeat on both sides of the vehicle.



**NOTE** Clamp positions may vary depending on any bed accessories you may have.

## 5 Install Tonneau Cover Assembly

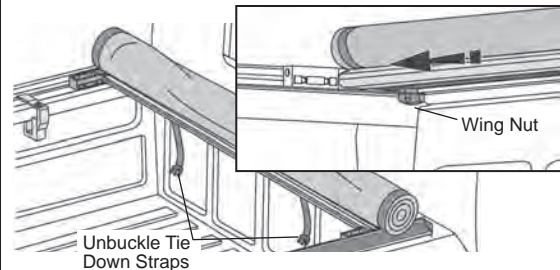
Standing in the bed if necessary, slide the ends of the Front Rail on the Tonneau Cover Assembly into the front Pivot Mounts on the Side Rails.



**CAUTION** Both front latches must remain engaged and the wing bolts tight while the cover is on the vehicle.

## 6 Secure Tonneau Cover Assembly

Unbuckle the Tie Down Straps. Press down firmly on the end of the cover. Loosen the wing bolt and slide the latch into the Side Rail. Tighten the wing nut. Repeat on both sides of the vehicle.

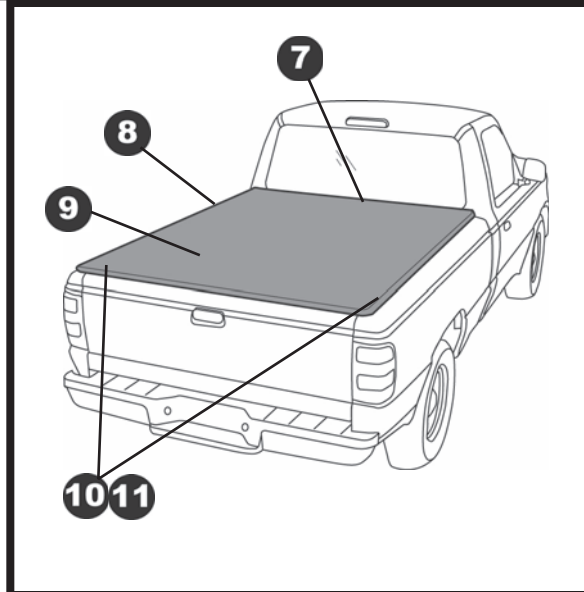
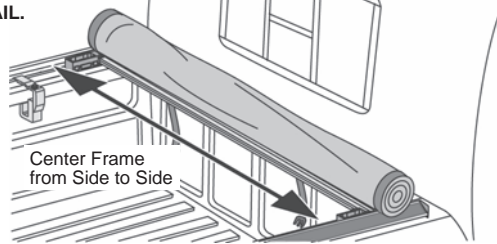


## EZ Roll Tonneau Installation Instructions

### 7 Center Tonneau Frame

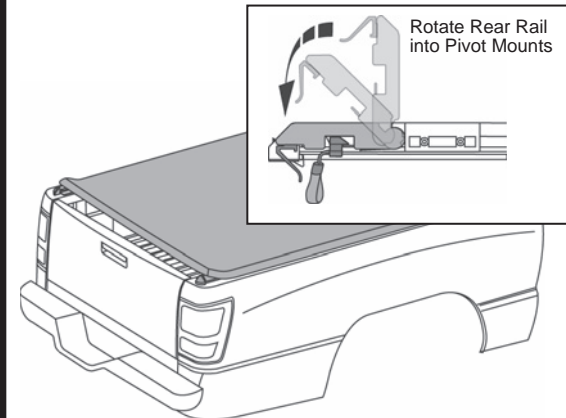
With the Tonneau Cover Assembly latched on both sides, push both Side Rails in so they are flush with the Front Rail. Center the front of the Frame from side to side on the vehicle.

**NOTE: FOR PROPER FUNCTION, IT IS BEST TO LEAVE A 1/8" GAP BETWEEN SIDE RAIL AND FRONT RAIL.**



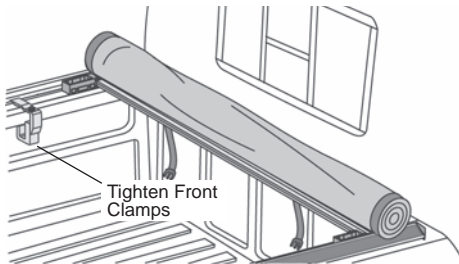
### 10 Secure Rear Rail To Rear Pivot Mounts

Rotate the Rear Rail into the rear Pivot Mounts on both sides. It will only latch on the driver's side.



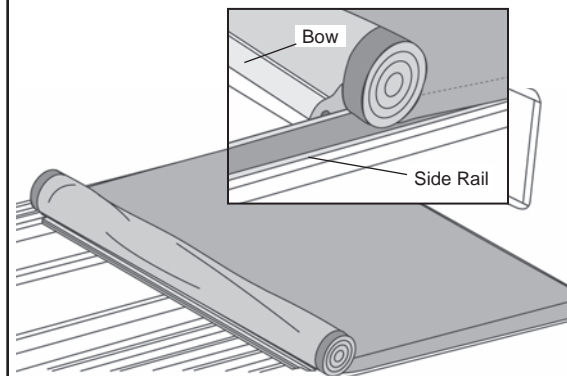
### 8 Tighten Front Clamps

Tighten the front Clamp on each side until the Lock Washer is compressed.



### 9 Roll Out Cover

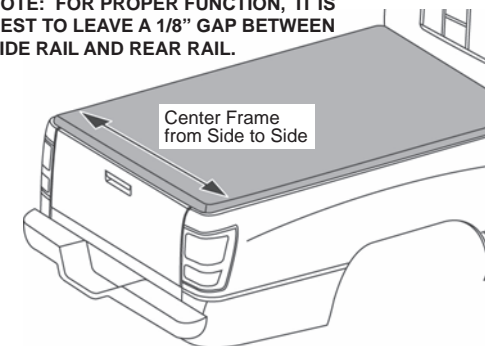
Roll out the cover. Make sure that each bow falls between the Side Rails.



### 11 Center Rear of Frame

Push the Side Rails flush against the Rear Rail and center the rear of the Frame from side to side on the vehicle.

**NOTE: FOR PROPER FUNCTION, IT IS BEST TO LEAVE A 1/8" GAP BETWEEN SIDE RAIL AND REAR RAIL.**





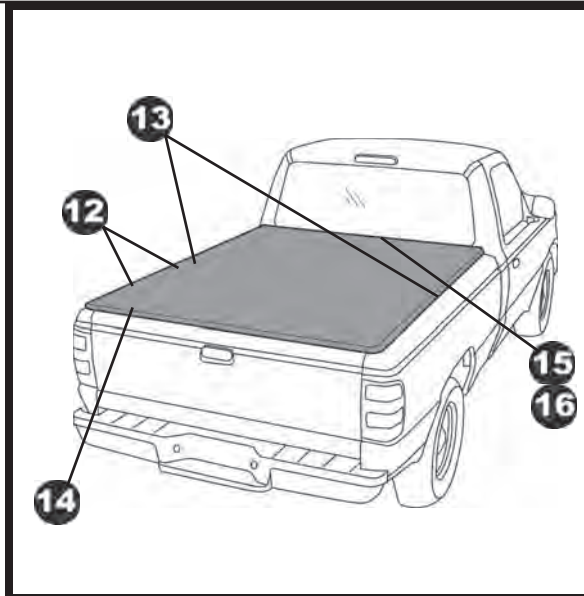
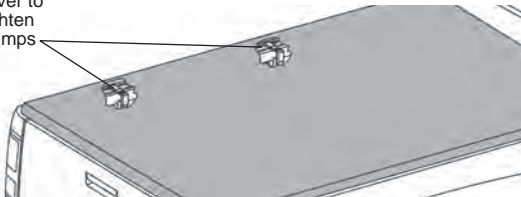
## EZ Roll Tonneau Installation Instructions

### 12 Secure Remaining Clamps

Once the Frame is centered reach between the cover and the Side Rail to access the center and rear clamps. Tighten the 5/16" Bolt in the Clamp until the Lock Washer is compressed, then add 1 to 1-1/2 additional turns to reach optimum pressure. Repeat on both sides of the vehicle.

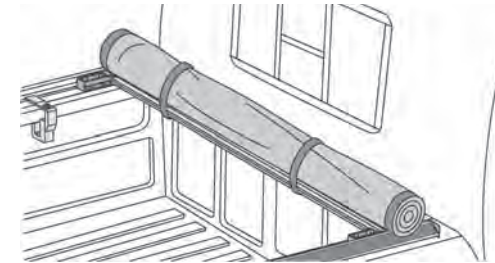
**NOTE** Do not remove the cover until all clamps are tight.

Reach under Cover to Tighten Clamps



### 15 To Remove Cover – Roll Cover

Tightly roll the Cover toward the front and buckle the Tie Down Straps.

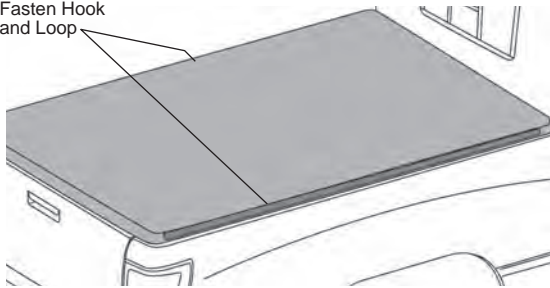


### 13 Secure Sides of Cover

Fasten the loop strip sewn to the driver's side of the Tonneau Cover to the hook on the Side Rail. Pull the fabric tight across and secure the passenger side.

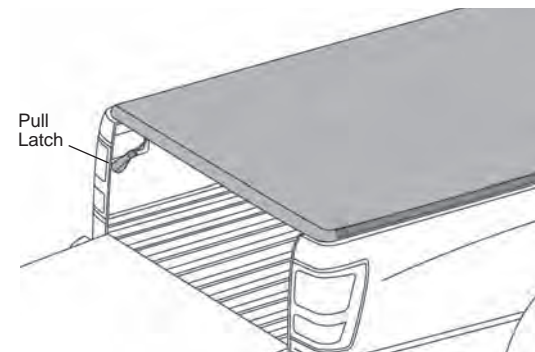
**NOTE** Make sure to keep the fabric tight across the bed to ensure a proper fit.

Fasten Hook and Loop



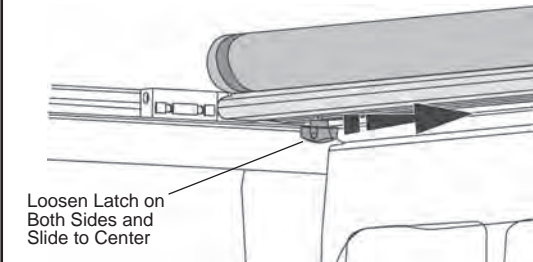
### 14 To Remove Cover – Release Latch

Open the tailgate and pull the latch to the rear to disengage the Rear Rail.



### 16 To Remove Cover – Release Front Rail

Make sure the Cover fabric is released from the hook on the Side Rails. Loosen the wing nuts on each side of the Front Rail. Slide the latches toward the center of the vehicle until they release from the Side Rails.

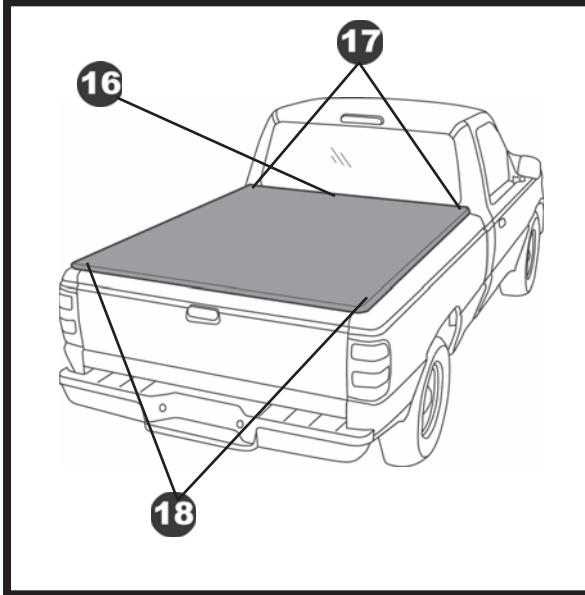
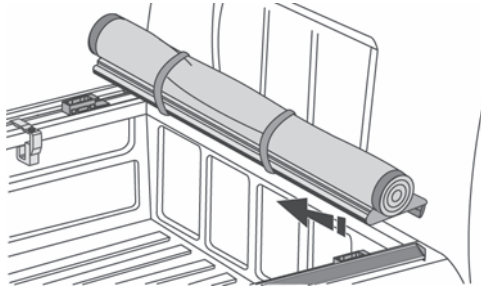


Loosen Latch on Both Sides and Slide to Center

## EZ Roll Tonneau Installation Instructions

### 17 Remove Cover

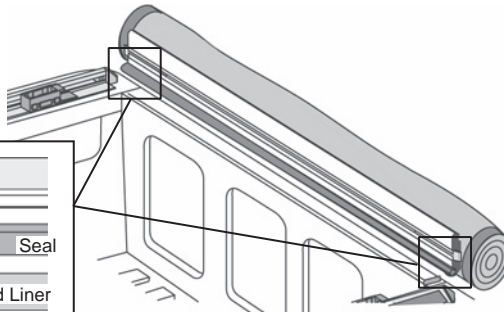
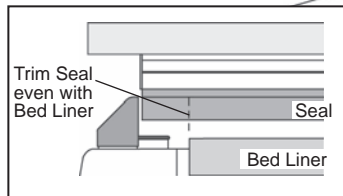
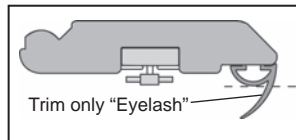
Once the latch is disengaged on the driver's side, pull the Front Rail out of the passenger Side Rail and lift the Cover out of the vehicle.



### 18 Special Instructions – Bed Liners

If your vehicle is equipped with a Bed Liner that comes up over the front bulkhead, you will need to trim the seal on the Tonneau Cover Assembly. Mark the seal at each end of the of the Bed Liner and use scissors to trim the bottom, “eyelash”, part of the seal.

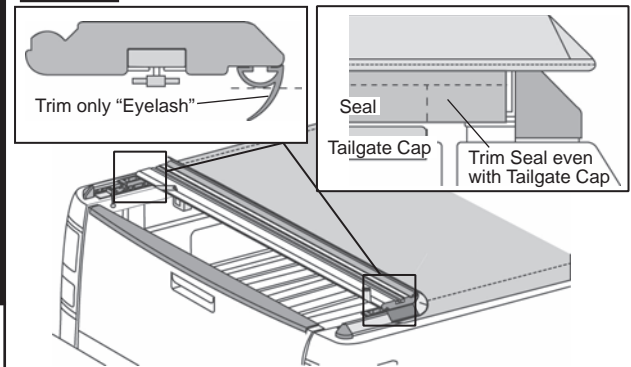
**NOTE** Only trim the bottom, “eyelash”, part of the seal.



### 19 SPECIAL INSTRUCTIONS - TAILGATE CAPS.

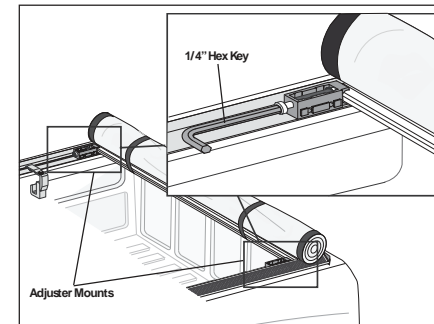
If your vehicle is equipped with a Tailgate Cap, you will need to trim the seal on the Tonneau Cover Assembly. Mark the seal at each end of the of the Tailgate Cap and use scissors to trim the bottom part of the seal at the mark.

**NOTE** Only trim the bottom part of the seal.



### 20 COVER TENSION ADJUSTMENT

To adjust the tension on the cover, use a 1/4" hex key. **NOTE:** Be sure to adjust both sides to same tension.



## EZ Roll Tonneau Installation Instructions

---

### Care and Maintenance of your Bestop Product

Your Bestop product is made of the finest materials available. To keep it looking new and for the maximum possible wear, it will need periodic cleaning and maintenance.

**Washing:** The fabric should be washed often using soap, warm water and a soft bristle brush. Rinse with clear water to remove all traces of soap or use Bestop-recommended Bestop Cleaner and Bestop Protectant. Bestop Cleaner and Bestop Protectant are specially formulated to provide a total cleaning and protection system. Bestop Cleaner will not harm vehicle finish, is biodegradable and environmentally friendly. Bestop Protectant protects against UV-fading, cracking and hardening.

**Water:** Seeping through at the seams may be stopped by applying 3-M Scotchgard® on the inside of the seams. Rips in the fabric may be repaired with Bondex® iron on patches. Iron the patches to the Inside of the top, carefully following the Bondex® instructions.

**Snaps:** Keep snaps cleaned and lubricated to help prevent snaps from sticking to the studs. If a snap does become stuck to a stud, use a screwdriver and GENTLY pry apart to prevent permanent damage to the snap or the fabric.

---

## BESTOP TONNEAU COVERS LIMITED LIFETIME WARRANTY

### What's covered?

All defects in materials or workmanship on Bestop Tonneau Covers for pick-up truck beds. This warranty does not apply to other Bestop products.

This warranty and any implied warranties including merchantability and fitness for a particular purpose, lasts as long as the original retail purchaser owns the vehicle upon which the tonneau cover is installed. The warranty expires should the product be removed from the original vehicle or if the original vehicle is transferred to another owner. This warranty is not transferable.

### What Bestop will do.

During the warranty period as written above, Bestop shall, at its option, either repair or replace any defective product at no charge. Bestop will not pay for labor charges associated with installation or removal of the product. Should a specific product be discontinued, Bestop may, at its option replace the discontinued product with a current product or like product.

### The Warranty does not cover:

Damage, defect, or malfunction caused by misuse, abuse, accident, fire, improper installation, modification, improper or inadequate maintenance, or hazards, or acts of God. Incidental or consequential damages are not covered under this warranty. Some states do not allow exclusion or limitation, so this may not apply to you. This warranty gives you specific legal rights, and you may have other rights which vary from state to state.

### Warranty Service:

Retain your proof of purchase. Proof of purchase must accompany any warranty claim. A defective item should be returned to the place of purchase. Bestop's Customer Service may be contacted for help determining whether a product is defective. Bestop Customer Service may be reached a 1-800-845-3567, or via e-mail at [cs@bestop.com](mailto:cs@bestop.com).



For further information or request for warranty work, please contact:

Bestop Inc., Customer Service

Toll-Free: (800)845-3567

Main: (303)465-1755

E-mail: [csbestop@Bestop.com](mailto:csbestop@Bestop.com)

Website: [www.Bestop.com](http://www.Bestop.com)