



BXR4506

Pullrite 15K Super Glide BedSaver™ Installation Instructions

Serial Number

The act of uncoupling your fifth wheel trailer can be one of the most dangerous tasks performed when RVing. Accidents can cause broken bones, severed limbs and even death by crushing. Such accidents can be avoided by following a few simple steps:

- Chock your trailer wheels
- Extend your front jacks until you see no weight is on the hitch
- **NEVER** place any part of your body between the trailer frame and tow vehicle or hitch

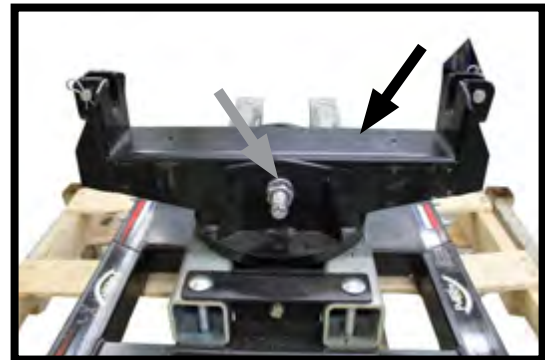
Safety Information

1. Blue Ox® strongly recommends Dealer installation.
2. Do not attempt to install this product without reading these instructions.
3. **Warning!** Failure to install this product properly can result in damage to your fifth wheel trailer, tow vehicle, fifth wheel hitch and/or cause bodily injury.
4. The BedSaver™ should be inspected for damage after each use.

If the BedSaver™ is in an accident it must be replaced. **DO NOT** use it again! An accident, no matter how minor, can cause unseen damage. Using the BedSaver™ again could result in more damage or serious injury. **DO NOT** use the BedSaver™ if missing parts.



1. Remove the two (2) rocker arm clevis pins, one (1) per side (grey arrow). Remove the plate assembly from the hitch base (black arrow).

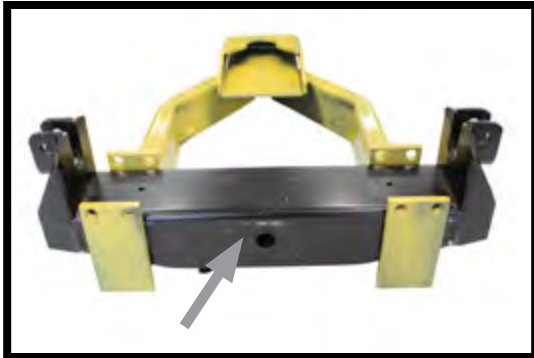


2. Using a 3/4" socket, loosen the 3/4"-10 nut (grey arrow). Remove the 3/4"-10 bolt and nut. Take the rocker arm (black arrow) off and place on a flat, steady surface.



BXR4506

Pullrite 15K Super Glide BedSaver™ Installation Instructions



3. Center the rocker arm on the BedSaver™.



4. Insert the four (4) 1/2"-13 x 5-1/2" hex head bolts, 1/2" lock washers and 1/2"-13 hex nuts. Tighten securely.



5. Re-attach the rocker arm and BedSaver™ assembly to the hitch base using the 3/4"-10 bolt and nut that was previously removed. Tighten securely.



6. Verify that all fasteners have been tightened securely and the BedSaver™ is level.

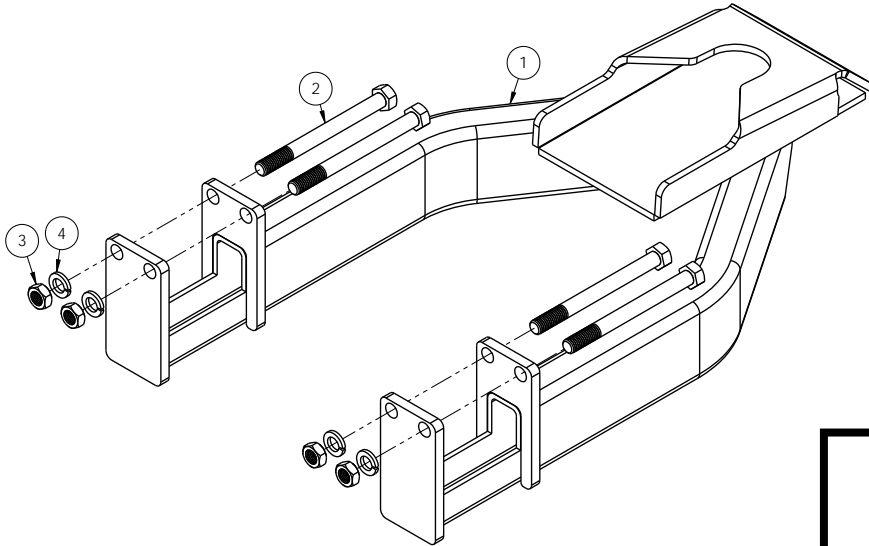
IMPORTANT: Use only genuine factory replacement parts on your bracket kit. Do not substitute homemade or nontypical parts. If a bolt is lost or in need of replacement, for your safety and the preservation of your bracket kit, be sure to use a replacement bolt of the same grade. Repair parts may be ordered through your nearest **Blue Ox**® Dealer or Distributor.



BLUE OX®

BXR4506

Pullrite 15K Super Glide BedSaver™ Installation Instructions



Tools Required	
3/4" Socket	
3/4" Wrench	

Item No.	Part No.	Description	Qty.
1.....	61-7049.....	BXR4506 BedSaver™.....	1
2.....	201-0807.....	1/2"-13 x 5-1/2" Hex Head Bolt, Grade 5, ZP.....	4
3.....	202-0005.....	1/2"-13 Hex Nut, ZP.....	4
4.....	203-0012.....	1/2" Lock Washer, ZP.....	4

CUSTOMER SERVICE COMMITMENT

Blue Ox® is committed to providing you with exceptional customer care throughout your lifetime with our products. Our team is here to assist you with any questions you may have regarding the performance of your product. Simply call (402) 385-3051 and you can speak with our customer care team.

Additionally, please visit our website to see which rallies our Destination America team will be attending. For a nominal fee, our service technician will service your towing system to ensure it's in proper working condition. Also, as a commitment to our customers, should you visit our factory, you can stay at our full service Blue Ox® campground at no charge along with enjoying a factory tour.

Again, thank you for being our customer and for the confidence you have shown in the performance of our products. It is because of customers like you we enjoy the success we have today.

© 2012 Blue Ox
One Mill Road, Industrial Park
Pender, Nebraska 68047
Phone: (402) 385-3051
Fax: (402) 385-3360
www.blueox.com