

## Exhaust System Installation For Ford Mustang GT & GT500



Precision manufactured using aircraft quality T-304 stainless steel; this system is designed to endure years of heavy use. Installing a Borla Performance Exhaust System on your vehicle will eliminate the restrictive design of the stock exhaust, allowing your engine to discharge exhaust gas easier. The result is more horsepower and torque, longer engine life, and a distinctive throaty growl- all this, with easy bolt-on installation. These installation instructions have been written to help you in the installation of your Borla Performance Exhaust System. Please read it completely before installing your system.

**Thank you for purchasing a Borla Performance Rear Section Exhaust System.**

**Borla Performance Rear Section Exhaust Systems (PN's 11777, 11778, 11780, & 11784 ) are designed for the Ford Mustang GT equipped with a 4.6L V-8 engine, automatic or manual transmissions.**

**Borla Performance Rear Section Exhaust System (PN 11825 ) is designed for the Shelby Mustang GT500 equipped with a 5.4L V-8 engine, automatic or manual transmissions.**

**Borla Performance Rear Section Exhaust Systems (PN's 11829, 11830, 11831 ) are designed for the Shelby Mustang GT500 equipped with a 5.8L V-8 engine, manual transmission.**

Borla Performance Industries recommends that an exhaust shop or professional after market parts installer, who has all the necessary equipment, tools and experienced personnel needed for proper installation, should perform the installation of this system. However, if you decide to perform the installation, we recommend someone should help you. Ensure the installer uses all under car safety precautions including eye protection.

***Please take time to read and understand the following...***

By installing your Borla Performance Exhaust System, you indicate that you have read this document and you agree with the terms stated below.

It is the responsibility of the purchaser to follow all installation instruction guidelines and safety procedures supplied with your Borla Performance Exhaust System

Borla Performance Industries assumes no responsibility for damages occurring from misuse, abuse, improper installation, improper operation, lack of responsible care, or all previously stated reasons resulting from incompatibility with other manufacturer's products and/or systems.

Included with your Borla Performance Exhaust System is a warranty card. Please read it carefully before you begin any work on your vehicle. If you should have any questions regarding our warranty policy, installation, or any other matter pertaining to your

**Minimum Required Tool List:**

**TOOLS:**

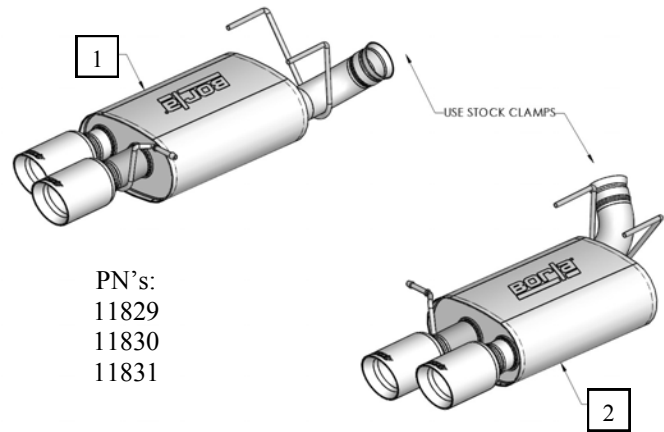
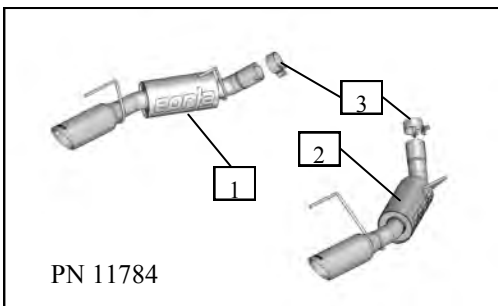
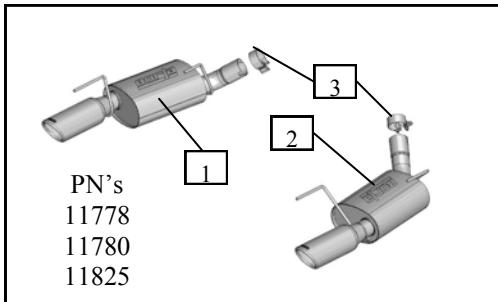
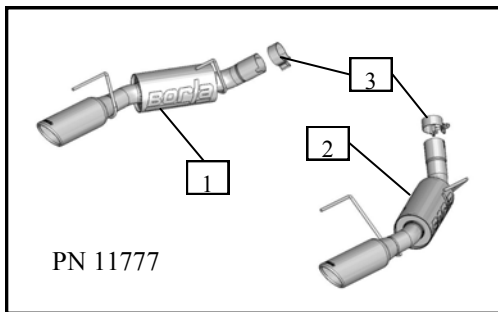
- 1 3/8" Drive Ratchet
- 2 3/8" Drive Extension 3"
- 3 15mm Socket
- 5 Pry Bar

**SHOP SUPPLIES:**

- 1 Spray Lubricant

**Borla Performance Rear Section Bill of Materials**

- 1. Left muffler assembly
- 2. Right muffler assembly
- 3. 2.50" clamp (qty 2)



**Caution!!!** *Never work on a hot exhaust system. Serious injury in the form of burns can result* If the vehicle has been in use and the exhaust system is hot, allow vehicle to cool for at least 1 hour. Always wear eye protection when working under any vehicle.

*Note: It is our recommendation that you use a hoist or hydraulic lift to facilitate the installation of your new Borla Performance Rear Section Exhaust System.*

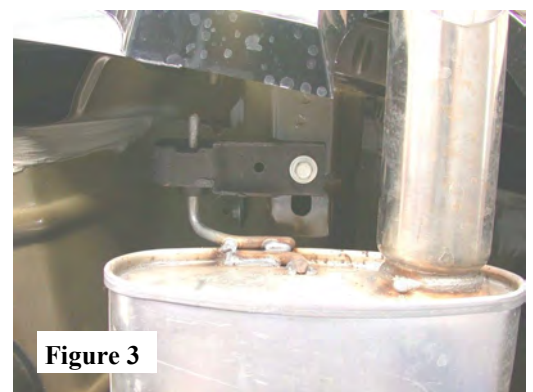
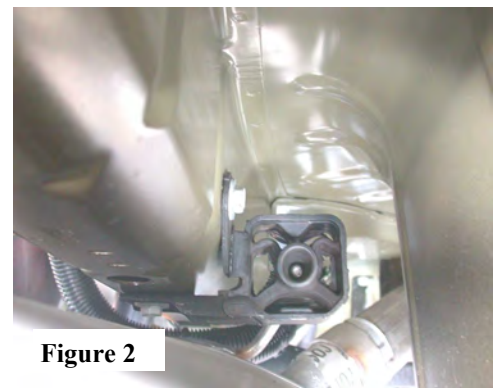
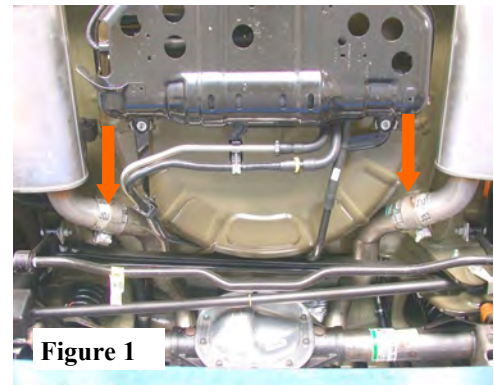
Taking all under car safety precautions, lift the vehicle using a hoist or hydraulic lift. Once this has been done, you may begin the removal of your old exhaust system from your vehicle.

*Note: Before removing the original exhaust system from your vehicle, please compare the parts you have received with the bill of materials provided on the previous page to assure that you have all the parts necessary for the installation of your new Borla Performance Rear Section Exhaust System.*

## Original Exhaust System Removal

*Note: With a used vehicle, we suggest a penetrating spray lubricant to be applied liberally to all exhaust fasteners and allowing a significant period of time for the chemical to lubricate the threads before attempting to disassemble.*

1. Loosen the clamps shown in figure 1 located just in front of each muffler.
2. Using a muffler stand or an additional person to hold the left muffler assembly up into position, using a 15mm socket, unbolt the hanger bracket assembly as the one shown in figure 2 located just above the front portion of the muffler. Place the hardware to the side for use during the installation of your new exhaust system.
3. Continuing using a muffler stand or an additional person to hold the left muffler assembly up into position, using a 15mm socket, unbolt the hanger bracket assembly as the one shown in figure 3 located just above the rear portion of the muffler. Place the hardware to the side for use during the installation of your new exhaust system.
4. Remove the left muffler from the vehicle as shown in figure 4.
5. Repeat steps 1 thru 4 for the removal of the right side muffler assembly.



**Warning:** Use extreme caution during installation. Torque all fasteners according to manufacturer's torque values and tightening sequence. **DO NOT** use air impact tools to tighten fasteners on Borla Performance Exhaust Systems. Use of such tools may result in bent flanges or gasket contact areas leading to exhaust leaks.

## Borla Performance Exhaust System Installation

1. Remove the hanger bracket assemblies from the original left muffler assembly and install them onto your new left muffler assembly as shown in figure 5.
2. Place a clamp over the expanded end of the left muffler assembly and using a muffler stand or an additional person to hold it up in place, set it into position and using the original hardware, secure the hanger bracket assemblies to the vehicle. Do Not tighten clamp.
3. Repeat steps 1 and 2 for the installation of the right side muffler assembly. The end result is shown in figure 6.
4. Check your exhaust system for proper clearance under the vehicle and also for tip alignment.
5. Once position has been determined to be correct, tighten the Accuseal™ clamps to 32-35 ft. lbs.
6. Before starting your vehicle, make sure to check all wires, hoses, brake lines, body parts and tires for safe clearance from the exhaust system.
7. Start vehicle and check for any leaks. If any leaks are found, determine cause (such as loose or incorrectly positioned clamp) and repair as necessary.

*Note: When you first start your vehicle after the installation of your new Borla Performance Exhaust System, there may be some smoke and fumes coming from the system. This is a protective oil based coating used in the manufacturing of mandrel bent performance exhaust tubing. This is not a problem and will disappear within a very short period of time after the exhaust has reached normal operating temperatures.*

**Congratulations!!!** You have completed the installation of the world famous Borla Performance Stainless Steel Exhaust System.



Figure 4



Figure 5



Figure 6