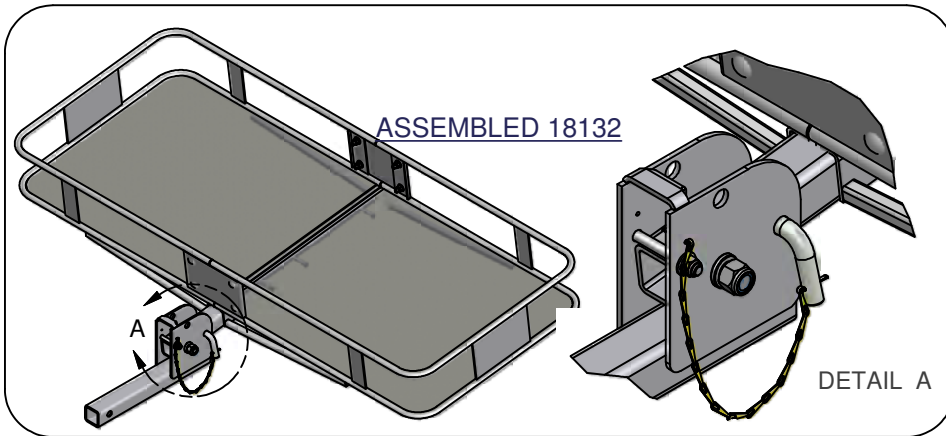
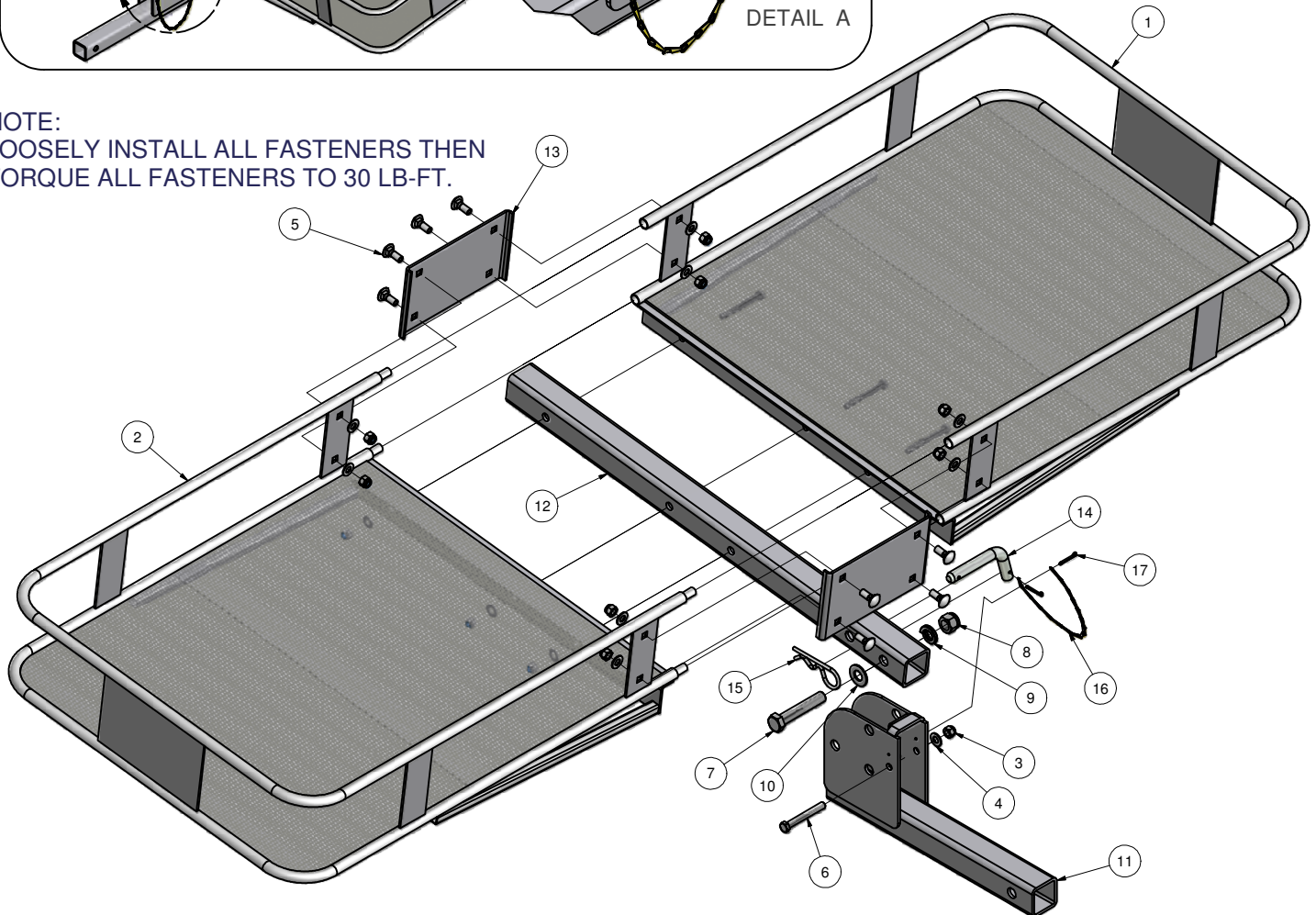


MAXIMUM GROSS LOAD CAPACITY: 500 LBS.
*****DO NOT EXCEED VEHICLE MANUFACTURER'S RECOMMENDED LOAD CAPACITY.*****
 USE OF TOWING CARRIERS REDUCES HITCH TOW RATINGS

Parts List				Parts List			
ITEM	QTY	PART NUMBER	DESCRIPTION	ITEM	QTY	PART NUMBER	DESCRIPTION
1	1	CM-18132-013	DS BASKET WELDMENT	10	1	5/8	WASHER
2	1	CM-18132-014	PS BASKET WELDMENT	11	1	CM-18132-020	MOUNTING COUPLER
3	12	3/8-16	NYLOCK HEX NUT	12	1	CM-18132-001	2.00 SQ. x .188" SHANK
4	12	3/8"	WASHER	13	2	CM-18132-002	11GA. REINFORCEMENT PLATE
5	8	3/8-16 x 1 LG.	CARRIAGE BOLT	14	1	CM-18132-021	HITCH PIN
6	4	3/8-16 x 3	HEX BOLT	15	1	CM-18132-022	HITCH PIN CLIP
7	1	5_8 - 11 x 3 1_2 HEX	HEX BOLT	16	15	CM-18132-023	No. 12 SASH CHAIN LINK
8	1	5/8-11	NYLOCK HEX NUT	17	2	Cotter Pin	COTTER PIN HAMMER LOCK
9	1	5_8_LOCK WASHER	HELICAL LOCK WASHER				



NOTE:
 LOOSELY INSTALL ALL FASTENERS THEN
 TORQUE ALL FASTENERS TO 30 LB-FT.



Curt Manufacturing Inc., warrants this product to be free of defects in material and/or workmanship at the time of retail purchase by the original purchaser. If the product is found to be defective, Curt Manufacturing Inc., may repair or replace the product, at their option, when the product is returned, prepaid, with proof of purchase. Alteration to, misuse of, or improper installation of this product voids the warranty. Curt Manufacturing Inc.'s liability is limited to repair or replacement of products found to be defective, and specifically excludes liability for incidental or consequential loss or damage.