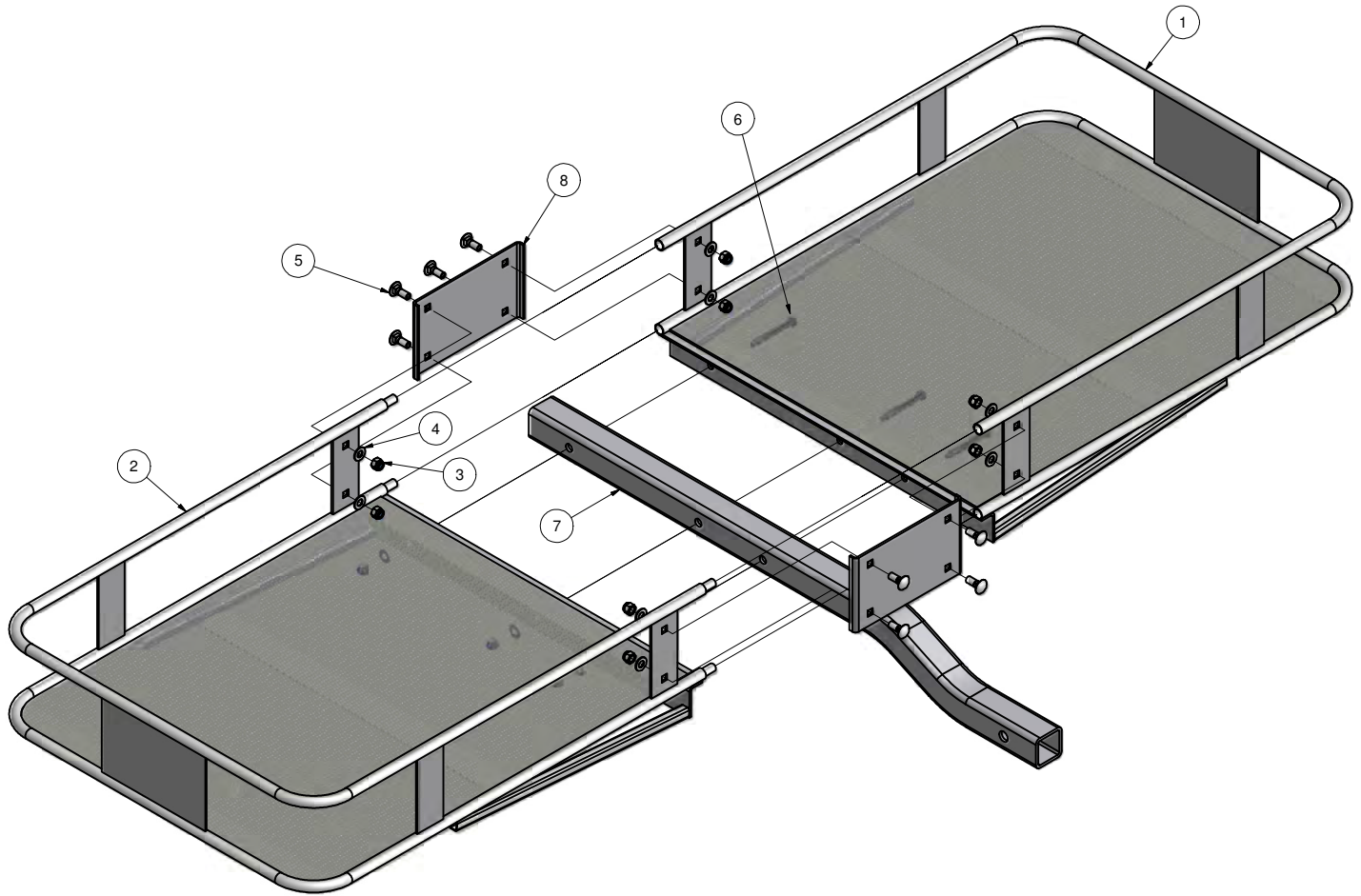


18133 24 x 60 FIXED BASKET CARGO CARRIER

MAXIMUM GROSS LOAD CAPACITY: 500 LBS.
*****DO NOT EXCEED VEHICLE MANUFACTURER'S RECOMMENDED LOAD CAPACITY.*****
****USE OF TOWING CARRIERS REDUCES HITCH TOW RATINGS****

Parts List			
ITEM	QTY	PART NUMBER	DESCRIPTION
1	1	CM-18133-013	DS BASKET WELDMENT
2	1	CM-18133-014	PS BASKET WELDMENT
3	11	3/8-16	NYLOCK HEX NUT
4	11	3/8"	WASHER
5	8	3/8-16 x 1 LG.	CARRIAGE BOLT
6	3	3/8-16 x 3	HEX BOLT
7	1	CM-18133-001	2.00 SQ. x .188" SHANK
8	2	CM-18133-002	11GA. REINFORCEMENT PLATE

NOTE:
LOOSELY INSTALL ALL FASTENERS THEN
TORQUE ALL FASTENERS TO 30 LB-FT.



Curt Manufacturing Inc., warrants this product to be free of defects in material and/or workmanship at the time of retail purchase by the original purchaser. If the product is found to be defective, Curt Manufacturing Inc., may repair or replace the product, at their option, when the product is returned, prepaid, with proof of purchase. Alteration to, misuse of, or improper installation of this product voids the warranty. Curt Manufacturing Inc.'s liability is limited to repair or replacement of products found to be defective, and specifically excludes liability for incidental or consequential loss or damage.