



FORCE II SYSTEM #17166

1996-1999 CHEVROLET TAHOE/GMC YUKON
5.7L • V8 ENGINE • 4 DOOR ONLY

6/09/09

Removal:

- 1) Raise the vehicle and support with jack stands.
- 2) Using a hacksaw or sawsall, cut the stock tailpipe off at the rear of the muffler. (This step is not mandatory, but makes removal much easier.)
- 3) Separate the two rubber hangers on the tailpipe from their rubber mounts on the vehicle and remove the tailpipe from under the vehicle.
- 4) Unplug and then remove the oxygen sensor from the front pipe by unscrewing the sensor from the fitting in the pipe using a 7/8" wrench.
- 5) Support the muffler with a stand and separate the wire hanger from the rubber mount in front of the muffler.
- 6) Remove the three nuts at the catalytic converter flange connection. Remove the muffler and set aside.

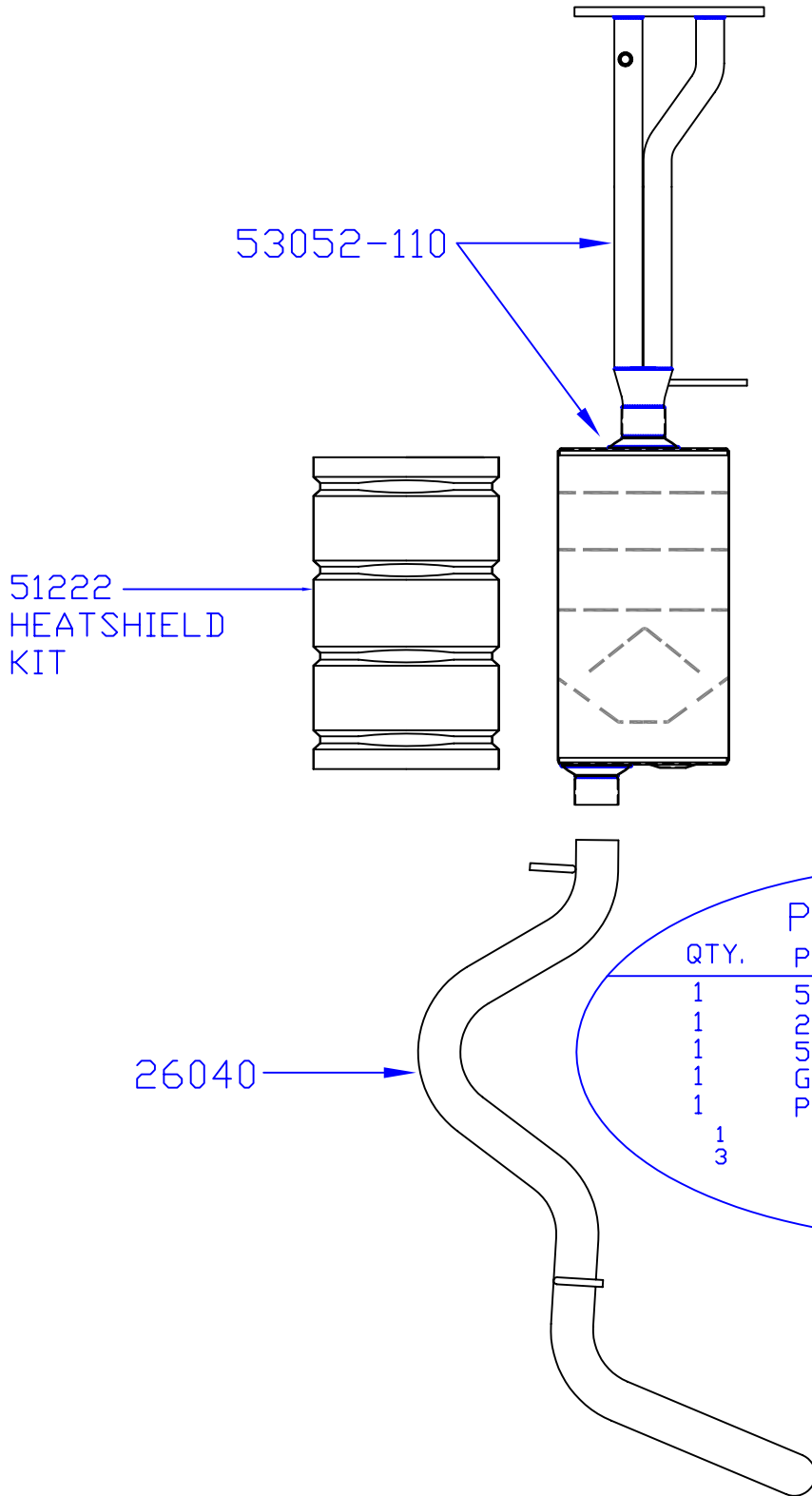
Installation:

- 1) Before installing anything, prep the clamps supplied in the hardware kit by removing the nuts, and applying a thick lubricant such as white grease or anti-seize to the threads.
- 2) Place inlet pipe/muffler assembly **#53052-110** in position behind the flange that is welded to the back of the catalytic converters. *(Be sure to install the new gasket #GA105 between the two flanges.)* Connect the hanger to its rubber mount and re-install the factory nuts on the flange connection. Reconnect the oxygen sensor to the fitting on the front pipe.
- 3) Raise tailpipe **#26040** into position over the axle and connect with rubber hangers and muffler outlet. Install the clamp provided and tighten lightly.
- 4) Using the four band clamps, fasten the heat shield to the top of the muffler body and tighten securely.
- 5) Adjust the position of the tailpipe to provide a satisfactory fit and adequate clearance, while also keeping suspension travel and vibration in mind. Tighten down the outlet clamp connection securely.
- 6) For a cleaner appearance and more secure installation, we highly recommend welding all slip-fit connections. If you live in a geographical area that has harsh winters or sees a great deal of precipitation, the use of high temperature paint over the welded areas can help to prevent surface rust and premature corrosion.



FORCE II™

Installation diagram for:
SYSTEM #17166
 1996-1999 CHEVROLET TAHOE/GMC YUKON
 5.7L • V8 ENGINE • 4 DOOR ONLY



PACKING LIST		
QTY.	PART#	DESCR.
1	53052-110	MUFFLER ASSEMBLY
1	26040	TAILPIPE
1	51222	HEAT SHIELD KIT
1	GA105	GASKET
1	PK377	PARTS KIT
1	MC300G	3" GUILLOTINE CLAMP
3	HW503	1/2" HANGER KEEPERS