



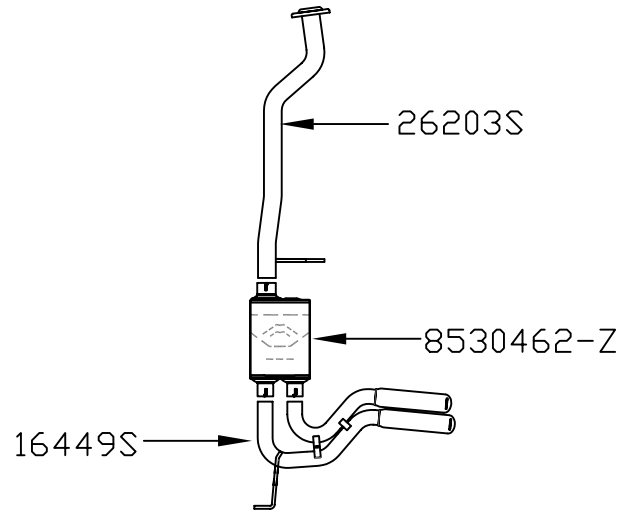
AMERICAN THUNDER

409S Stainless Steel

PACKING LIST

<u>Qty</u>	<u>Description</u>	<u>Part#</u>
1	Inlet Pipe	26203S
1	Muffler	8530462-Z
1	Exit Pipe Assembly	16449S
1	Parts Kit	PK539
2	1/2" Hanger Keepers	HW503
2	2.5" Clamps	MC250BS
1	3" Clamp	MC300BS

Installation diagram for:
SYSTEM #817395
1999-2006 CHEVROLET/GMC C/K 1500 TRUCK
4.8L & 5.3L ENGINE • EXTENDED CAB/SHORT BED



04/20/11

Removal:

- 1) Raise the vehicle up on a hoist or rack to working height.
- 2) Using a hacksaw or sawsall, cut the stock tailpipe off where it exits the muffler. (This step is not mandatory, but it makes removal a little easier.)
- 3) Support the muffler with a stand and separate the two wire hangers on the tailpipe from the rubber mounts on the vehicle. If you have cut the tailpipe, remove the tailpipe and set aside at this time.
- 4) Separate the wire hanger from the rubber mount in front of the muffler. Remove the two nuts at the muffler to converter flange connection and lower the muffler from under the vehicle.

Installation:

- 1) Place inlet pipe **#26203S** into position behind the catalytic converter. Connect the wire hanger to its rubber mount and re-install the factory nuts onto the flange connection.
- 2) Place the provided 3" clamp onto the inlet of muffler **#8530462-Z**. Slide the muffler onto the inlet pipe and support the muffler with a stand. Tighten the clamp enough to hold in place, but still allow for adjustment.
- 3) Place the provided 2 1/2" clamps onto each of the muffler outlets. Insert the tailpipe assembly **#16449S** into the muffler outlets. Insert the hanger rod into the rubber mount on the vehicle.
- 4) Adjust the position of all muffler and pipes to provide a satisfactory fit. Tighten down all clamped connections securely and slide the 1/2" hanger keepers onto the end of the inlet pipe and exit pipe hangers. This will prevent the hangers from slipping out of the rubber mounts.