



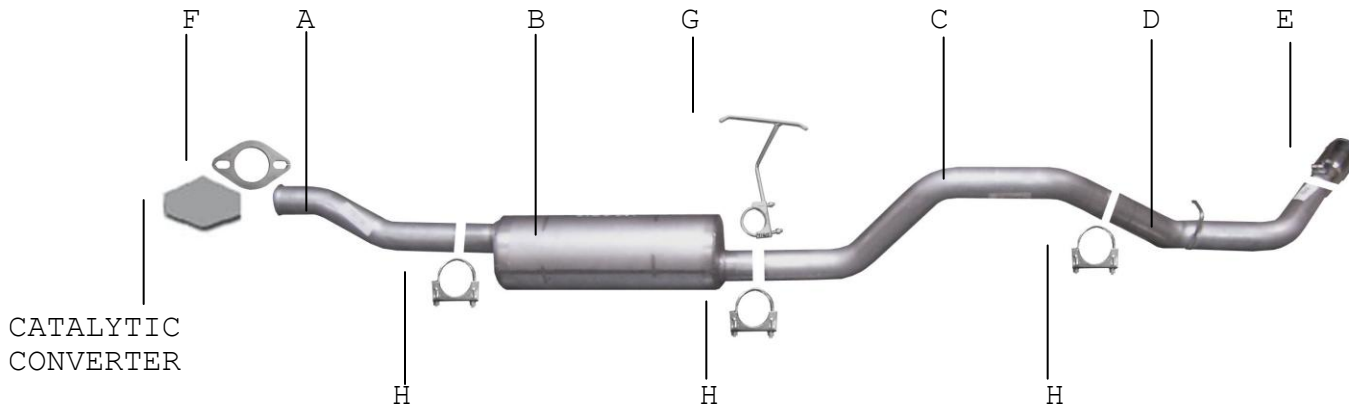
PERFORMANCE EXHAUST SYSTEMS

INSTRUCTION MANUAL

CAT-BACK SINGLE EXHAUST

FORD RANGER/MAZDA 3.0L- 4.0L 2/4WD
FORD RANGER/MAZDA 2.5L 2/4WD
STANDARD CAB, LONG BED

PART # 19715



ITEM	PART #	QUANTITY	DESCRIPTION
A	700156	1	2-1/2" HEADPIPE
B	788200	1	SUPERFLOW MUFFLER
C	25002-C	1	2-1/2" OVERAXLE TAILPIPE
D	25006	1	2-1/2" TURNOUT PIPE
E	500361	1	3" STAINLESS TIP
F	GP-102	1	FLANGE
	BO-1034	1	BOLT KIT FOR FLANGE GP-102
G	4124	1	REAR MUFFLER HANGER
H	5757	3	2-1/2" CLAMP

Will fit on 4.0L EDGE.

Thank you for purchasing our GIBSON EXHAUST SYSTEM for your vehicle.
If you need further assistance, please do not hesitate to call our
Technical Department at (800) 528-3044, Monday through Friday, 8:00 AM
to 5:00 PM.

INSTALLATION INSTRUCTIONS

PART #19715

WHEN INSTALLING THIS EXHAUST SYSTEM MAKE SURE TO USE ALL THE PROPER SAFETY PRECAUTIONS. USE JACK STANDS WHEN UNDER TRUCK SET PARKING BRAKE, BLOCK TIRES AND USE SAFETY GLASSES. DO NOT WORK WITH HOT PIPES!

SUGGESTED TOOLS:

15MM SOCKET, 9/16" SOCKET, $\frac{1}{2}$ " WRENCH, $\frac{1}{2}$ " SOCKET, JACKSTAND

1. Lay out the GIBSON EXHAUST SYSTEM on the floor so it looks like the drawing.
2. Unbolt stock exhaust at flange behind the catalytic converter. Use jack stands to support converter so it won't drop.
3. Install headpipe #A and attach to stock flange using #F & re-use gasket & bolts.
4. Slide muffler with inlet towards the converter onto the front extension pipe. Use a jack stand to support the muffler and clamp using #H (do not tighten). Muffler outlet will be at approx. 9 o'clock. Install #GT-hanger into factory rubber grommets (vertical rod on hanger is on drivers side).
5. Install the overaxle tailpipe #C and clamp using #H (do not tighten).
6. Slide turnout pipe #D on the tailpipe and clamp using #H. Insert welded hanger into rubber grommet.
7. Install stainless steel tip. Clamp down. To clean the stainless steel tip use a scott brite pad and any stainless or aluminum cleaner.
8. When you have everything in place, tighten all bolts and clamp down.

MAKE SURE YOU HAVE A 1" CLEARANCE ON ALL PIPES FROM ALL RUBBER BRAKE & FUEL LINES, SHOCK BOOTS, TIRES, ETC.