

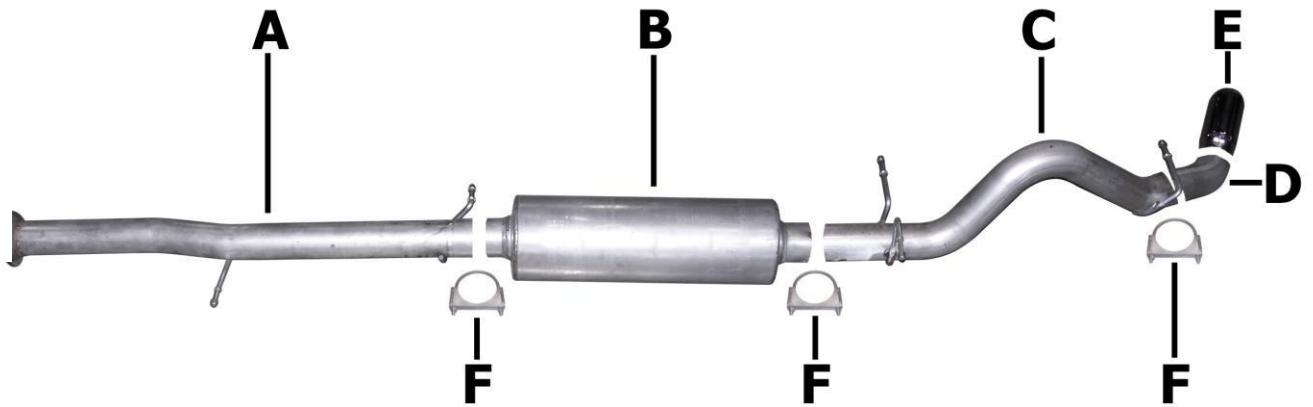


# Installation Instructions

## Cat-Back Single Exhaust

Chevy/GMC 1500 Truck 6.2L, 2/4wd  
Crew Cab, Short Bed

Part #315625



ITEM	PART	QUANTITY	DESCRIPTION
A	999700745	1	3.5" Headpipe w/ Ball Seat Flange
B	788707	1	Superflow SFT Muffler
C	701163	1	3.5" Over Axle Tailpipe w/ welded hangers
D	701023	1	3.5" Exit Pipe
E	500380	1	4" Stainless Tip
F	4170	3	3.5" Clamp

Thank you for purchasing our Gibson Exhaust System for your vehicle.  
If you need further assistance, please do not hesitate to call our technical department at  
(800) 528 -3044 Monday through Friday, 8am to 5 pm.

# Installation Instructions #315625

When installing this exhaust system make sure to use proper safety precautions. Use jack stands when working under the vehicle, set parking brake, block tires and use safety glasses and gloves. Allow exhaust to cool before attempting installation. Severe injury or burns could occur if safety measures are not taken.

**SUGGESTED TOOLS:** 1/2", 9/16", 15mm wrenches & sockets, WD-40, hacksaw, jack stands

1. Disconnect the negative battery cable before removal of OEM exhaust. This will allow the computer to reset and recognize the new exhaust. Lay out the exhaust on the floor so it looks like the drawing and compare parts with manual.



2. Remove the stock exhaust by unbolting it at the 2-bolt flange located in front of the muffler. Disengage the welded hangers from the OEM rubber grommets. Use WD-40 to aid in this process. Do not damage stock nuts and bolts or remove the rubber grommets as you will re-use them to mount your new system. Now, cut off tailpipe and remove system.



5. Slide tailpipe #C into muffler 1½"-2" and secure with clamp #F. Do not tighten. Insert welded hangers into rubber grommets.



3. Install headpipe #A onto your existing stock flange and secure using the stock hardware. Do not tighten. Insert welded hanger into rubber grommet.



7. Slide exit pipe #D over tailpipe and secure with clamp #F. Do not tighten. Rotate exit pipe to best suit your vehicle.



4. Install muffler #B onto headpipe 1½"-2" with the louvers facing towards the converter. Use a jack stand to support the muffler. Use clamp #F to secure the muffler to the headpipe. Do not tighten. Muffler inlet is looking into the louvers.



8. Install stainless steel tip #E. Clamp down. When you have everything in place, firmly tighten all bolts and clamps down securely. Use stainless steel or aluminum cleaner to polish tips. Inspect all fasteners after 25-50 miles of operation and re-tighten as necessary.

GIBSON EXHAUST systems are designed on a factory stock vehicle. Any aftermarket products installed could increase the sound levels of the exhaust. **Make sure there is a 1" clearance from ALL rubber brake lines, shock boots, lines, tires, etc. to prevent heat related damage or fire.**