



PERFORMANCE EXHAUST SYSTEMS

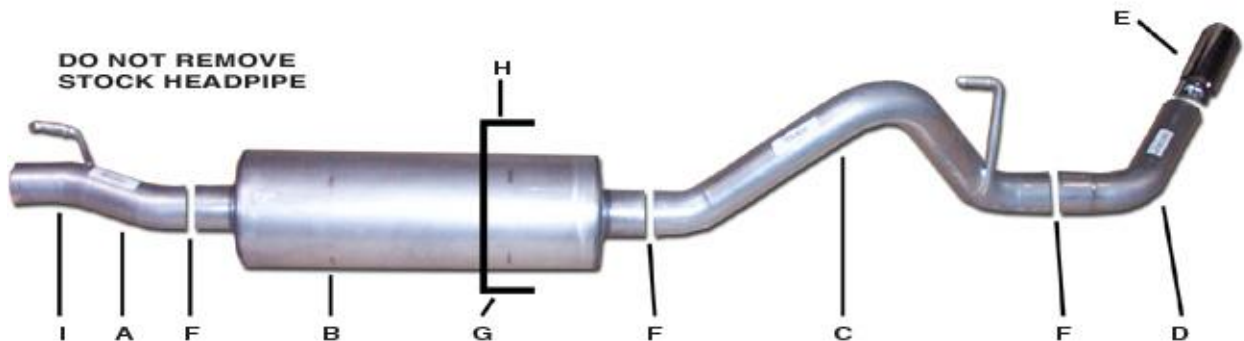
INSTRUCTION MANUAL

CAT-BACK SINGLE EXHAUST SYSTEM

DODGE RAM 1500 TRUCK 5.7L HEMI

QUAD CAB, SHORT BED, 4DR, 2/4 WD

PART#316591



| ITEM | PART # | QUANTITY | DESCRIPTION |
|------|----------|----------|-------------------------------|
| A | 700546 | 1 | 3" EXTENSION PIPE |
| B | 766302 | 1 | SUPERFLOW MUFFLER |
| C | 700406 | 1 | 3" OVERAXLE TAILPIPE W/HANGER |
| D | 50032R-2 | 1 | 3" EXIT PIPE |
| E | 500360 | 1 | 3-1/2" STAINLESS TIP |
| F | OHD300 | 3 | 3" CLAMP |
| G | 4187 | 1 | BAND CLAMP |
| H | BO-1015 | 1 | BAND CLAMP BOLT KIT |
| I | 5758 | 1 | 2.75" CLAMP |

WILL NOT FIT WITH FACTORY GOUND KIT

Thank you for purchasing our GIBSON EXHAUST SYSTEM for your vehicle. If you need further assistance, please do not hesitate to call our Technical Department at (800) 528-3044, Monday through Friday, 8:00 am to 5:00 pm.

EXHAUST INSTALLATION #316591

WHEN INSTALLING THIS EXHAUST SYSTEM MAKE SURE TO USE PROPER SAFETY PRECAUTIONS. USE JACK STANDS WHEN UNDER THE TRUCK, SET PARKING BRAKE, BLOCK TIRES AND USE SAFETY GLASSES AND GLOVES. **DO NOT WORK WITH HOT PIPES!**

TO REMOVE STOCK EXHAUST UNCLAMP IT JUST IN FRONT OF THE MUFFLER.

SUGGESTED TOOLS:

1/2" WRENCH, 9/16" SOCKET, 15MM SOCKET, HACKSAW, JACKSTAND, Wd-40



LAY OUT THE EXHAUST ON THE FLOOR SO IT LOOKS LIKE THE DRAWING AND COMPARE PARTS TO THE MANUAL. **TO REMOVE THE STOCK EXHAUST UNCLAMP IT JUST IN FRONT OF THE MUFFLER.** YOU MAY NEED TO HEAT IT UP FOR EASIER REMOVAL. LEAVE ALL RUBBER GROMMETS IN PLACE.



INSTALL THE OVERAXLE TAILPIPE #C INTO THE MUFFLER 1-1/2" TO 2". INSERT WELDED HANGER INTO RUBBER GROMMET. USE CLAMP #F TO SECURE TAILPIPE TO THE MUFFLER. DO NOT TIGHTEN.



INSTALL HEADPIPE #A ONTO YOUR EXISTING STOCK FRONT PIPE AND SECURE WITH CLAMP #I. INSERT HANGER INTO RUBBER GROMMET.



INSTALL EXIT PIPE #D OVERAXLE PIPE. ROLL TURNOUT PIPE UNTIL YOU HAVE IT AT THE CORRECT ANGLE FOR YOUR TRUCK AND CONNECT WITH CLAMP #F. BUT DO NOT TIGHTEN.



INSTALL MUFFLER #B ONTO HEADPIPE #A 1-1/2" TO 2" WITH THE LOUVERS FACING TOWARDS THE CONVERTER. USE A JACK STAND TO SUPPORT THE MUFFLER. USE CLAMP #F TO SECURE THE MUFFLER TO THE HEADPIPE. DO NOT TIGHTEN.



INSTALL STAINLESS STEEL TIP. WHEN YOU HAVE EVERYTHING IN PLACE, FIRMLY TIGHTEN ALL BOLTS AND CLAMP DOWN SECURELY. TO CLEAN STAINLESS STEEL TIP USE ANY STAINLESS STEEL CLEANER AND SCOTCH BRITE PAD.



SLIDE BAND CLAMP #G ONTO MUFFLER #B. INSERT HANGERS INTO RUBBER GROMMETS.

MAKE SURE YOU HAVE A 1" CLEARANCE ON ALL RUBBER BRAKE & FUEL LINES, SHOCK BOOTS, TIRE, ETC...