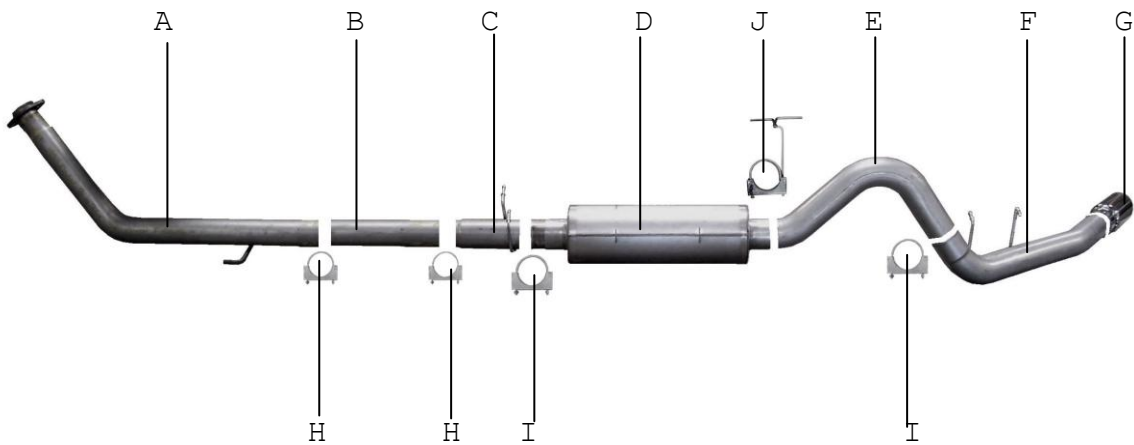




PERFORMANCE EXHAUST SYSTEMS

INSTRUCTION MANUAL
4" SINGLE EXHAUST WITH DOWNPIPE
DODGE RAM 2500/3500 2/4WD TRUCK
5.9L CUMMINS DIESEL
EXTENDED CAB, LONG BED

PART # 316598



ITEM	PART #	QTY	DESCRIPTION
A	700667	1	3-1/2" TURBO PIPE W/FLARE & FLANGE W/HANGER
B	700668	1	3-1/2" INTERMEDIATE PIPE
C	700669	1	4" HEADPIPE W/WELDED HANGER
D	788040	1	4" SUPERFLOW MUFFLER
E	700465	1	4" OVERAXLE TAILPIPE
F	700466	1	4" EXIT PIPE W/ WELDED HANGER
G	500401	1	5" STAINLESS TIP
H	4170	2	3-1/2" CLAMP
I	4171	2	4" CLAMP
J	4207	1	REAR MUFFLER HANGER

Thank you for purchasing our GIBSON EXHAUST SYSTEM for your vehicle. If you need any further assistance, please do not hesitate to call our Technical Department at 1-800-528-3044 Monday through Friday, 8:00 AM to 5:00

EXHAUST INSTALLATION #316598

When installing this exhaust system make sure to use proper safety precautions. Use jack stands when under the truck, set parking brake, block tires and use safety glasses and gloves.

DO NOT WORK WITH HOT PIPES!

SUGGESTED TOOLS:

1/2" , 9/16", 15mm Socket & Wrench, WD-40, Jack Stand, Hacksaw



TO INSTALL YOUR DOWNPIPE YOU NEED TO REMOVE YOUR STOCK EXHAUST. TO REMOVE YOUR STOCK EXHAUST UNCLAMP IT JUST IN FRONT OF YOUR STOCK MUFFLER, THEN REMOVE THE REMAINING EXHAUST FROM THE TURBO HOUSING. USE WD-40 TO AID IN REMOVAL OF HANGERS FROM RUBBER GROMMETS. DO NOT DISCARD YOUR STOCK BOLTS FROM YOUR TURBO, YOU WILL RE-USE THEM.



INSTALL TURBO PIPE #A ONTO FACTORY TURBO USING YOUR FACTORY HARDWARE. DO NOT TIGHTEN. INSERT WELDED HANGER INTO RUBBER GROMMET.

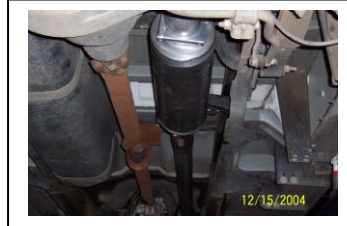
NEXT INSTALL INTERMEDIATE PIPE #B ONTO PIPE #A. USE CLAMP #H TO SECURE PIPES TOGETHER. DO NOT TIGHTEN.



INSTALL HEADPIPE #C ONTO PIPE #B. USE CLAMP #H TO SECURE TOGETHER. NEXT INSERT WELDED HANGERS INTO RUBBER GROMMETS. DO NOT TIGHTEN.



INSTALL MUFFLER #D ONTO PIPE #C. USE CLAMP #I TO SECURE MUFFLER TO HEADPIPE #C. DO NOT TIGHTEN.



INSTALL REAR MUFFLER HANGER #J ONTO OUTLET OF MUFFLER. INSERT HANGERS INTO RUBBER GROMMETS. DO NOT TIGHTEN.



INSTALL OVERAXLE TAILPIPE #E INTO MUFFLER 1-1/2" TO 2". USE CLAMP #J TO SECURE. DO NOT TIGHTEN.



INSTALL EXIT PIPE #F ONTO PIPE #E. USE CLAMP #I TO SECURE TOGETHER. DO NOT TIGHTEN. INSERT WELDED HANGERS INTO RUBBER GROMMETS. ROLL EXIT PIPE TO GET THE BEST FIT FOR YOUR VEHICLE.



INSTALL YOUR STAINLESS TIP TO YOUR DESIRED LOOK. CHECK FOR CLEARANCES THAN TIGHTEN ALL NUTS, BOLTS AND CLAMPS STARTING FROM THE FRONT AND WORKING YOUR WAY BACK. USE ANY STAINLESS POLISH TO CLEAN TIP.

MAKE SURE YOU HAVE A 1" CLEARANCE ON ALL RUBBER BRAKE LINES, SHOCK BOOTS, TIRES, FUEL LINES, ETC...