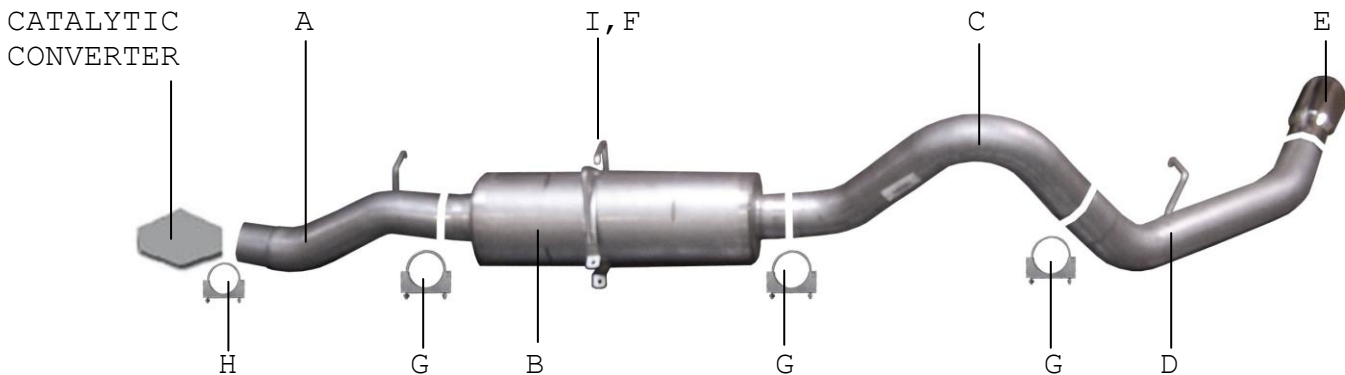




**INSTRUCTION MANUAL**  
**CAT-BACK 4" SINGLE EXHAUST**  
**FORD F250/F350 SUPER DUTY TRUCK**  
**6.0L POWER STROKE DIESEL 2/4WD**  
**EXTENDED CAB, SHORT BED**

**PART # 319613**



ITEM	PART #	QTY	DESCRIPTION
A	700568	1	4" HEADPIPE W/ WELDED HANGER
B	788040	1	SUPERFLOW MUFFLER
C	700489	1	4" OVERAXLE TAILPIPE
D	700490	1	4" EXIT PIPE
E	500401	1	5" STAINLESS TIP
F	4217	1	BAND CLAMP
G	4171	3	4" CLAMP
H	4170	1	3 1/2 CLAMP
I	BO-1015	1	BOLT KIT FOR BAND CLAMP

Thank you for purchasing our GIBSON EXHAUST SYSTEM for your vehicle. If you need any further assistance, please do not hesitate to call our Technical Department at 1-800-528-3044 Monday through Friday, 8:00 AM to 5:00 PM P.S.T

# EXHAUST INSTALLATION #319613

When installing this exhaust system make sure to use proper safety precautions. Use jack stands when under the truck, set parking brake, block tires and use safety glasses and gloves.

**DO NOT WORK WITH HOT PIPES!**

## SUGGESTED TOOLS:

1/2" , 9/16", 15mm Socket & Wrench, WD-40, Jack Stand, Hacksaw



Lay out the exhaust on the floor so it looks like the drawing and compare parts with manual. To remove the stock exhaust remove it from the clamp located just behind the catalytic converter. Cut off your stock tailpipe for easier removal. Leave all rubber grommets in place. Use WD-40 to aid in removal of exhaust and hangers.

Install head pipe # A on to your existing stock front pipe and line up the notch. Then secure with clamp # H. Insert hangers into rubber grommets. Do not tighten.



Install band clamp # F into rubber grommets located just above the axle. Do not tighten. And attach with bolt kit # I.



Install muffler # B onto head pipe # A 1-1/2" to 2" with the louvers facing towards the converter. Use a jack stand to support the muffler. Use clamp # G to secure the muffler to the head pipe. Do not tighten. Muffler inlet is looking into the louvers.



Install the over axle tailpipe # C into the muffler 1-1/2" to 2". Secure to the muffler using clamp # G. Do not tighten.



Next, remove spare tire. On pass. side there is a bracket that holds the spare tire in place. Remove it and spin it around 180 degrees. Now re-install your spare tire.



Install exit pipe # D onto overaxle pipe. Then insert welded hanger into rubber grommet. Use clamp # G to secure pipes together.



Install stainless steel tip. Clamp down. When you have everything in place, firmly tighten all bolts and clamp down securely. To clean stainless steel tip use any stainless steel cleaner and Scotch Brite pad.

**MAKE SURE YOU HAVE A 1" CLEARANCE ON ALL RUBBER BRAKE LINES, SHOCK BOOTS, TIRES, FUEL LINES, ETC..**