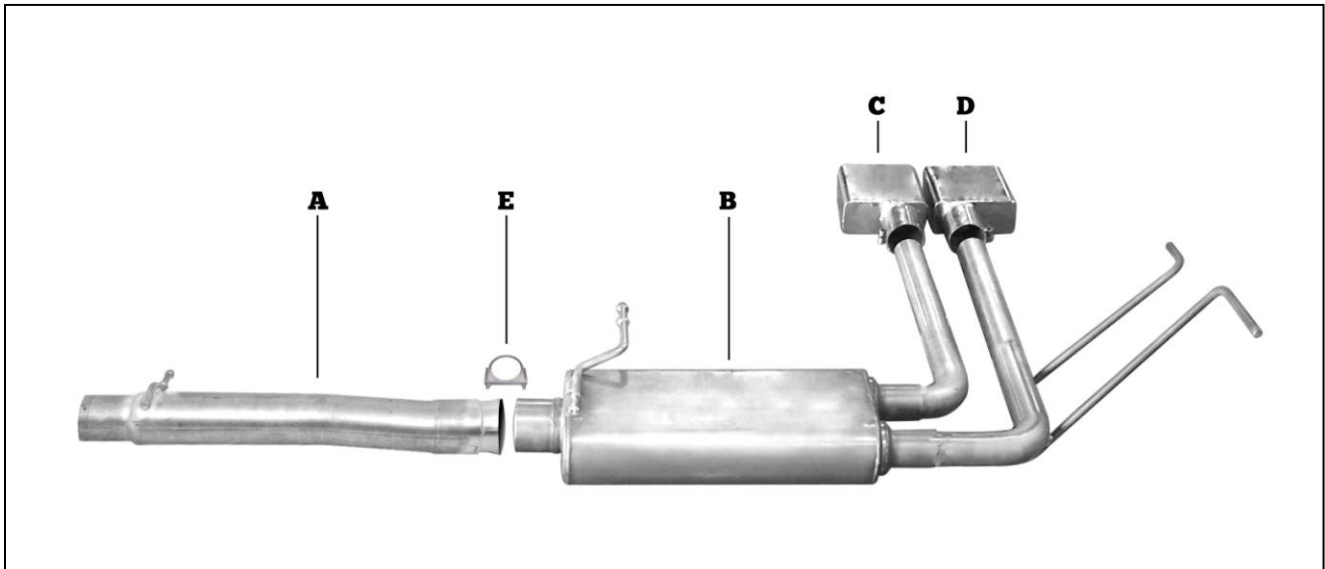




Installation Instructions

Cat-Back Super Truck Exhaust
Chevy Silverado / GMC Sierra 1500 Truck 6.2L 2/4wd
Crew Cab, Short Bed
Double Cab, Standard Bed (6.6") 2/4wd

Part #5675



ITEM	PART	QUANTITY	DESCRIPTION
A	999700819	1	3.5"Headpipe
B	999700820	1	Superflow CFT Muffler Assembly
C	500365	1	Sport Truck Tip
D	500366	1	Sport Truck Tip
E	4170	1	3.5"Clamp

Thank you for purchasing our Gibson Exhaust System for your vehicle.
If you need further assistance, please do not hesitate to call our technical department at
(800) 528 -3044 Monday through Friday, 8am to 5 pm.

Installation Instructions #5675

When installing this exhaust system make sure to use proper safety precautions. Use jack stands when working under the vehicle, set parking brake, block tires and use safety glasses and gloves. Allow exhaust to cool before attempting installation. Severe injury or burns could occur if safety measures are not taken.

SUGGESTED TOOLS: 1/2", 9/16", 15mm wrenches & sockets, WD-40, hacksaw, jack stands

1. Disconnect the negative battery cable before removal of OEM exhaust. This will allow the computer to reset and recognize the new exhaust. Lay out the exhaust on the floor so it looks like the drawing and compare parts with manual.



2. To remove stock exhaust, unclamp it at the ball connection behind the Y-pipe. Make sure to leave all rubber grommets in the factory location. **You will re-use stock clamp.** For easier removal of exhaust, cut behind the muffler. Use WD-40 to remove hangers from



5. Rotate the muffler assembly until the outlets are level.



Next, install the headpipe #A. Insert welded hanger into rubber grommet. Use Factory clamp to secure together. **DO NOT TIGHTEN.**



6. Install right and left stainless steel tips. Clamp down. When you have everything in place, clamp down securely. Use stainless steel cleaner and a Scotch Brite pad weekly to prevent tip from discoloration. Inspect all fasteners after 25-50 miles of operation and re-tighten as necessary.



4. Slide the muffler assembly into the headpipe at least 1.5"-2". Use a jack stand to support the muffler assembly. Use clamp #E to secure muffler assembly to the headpipe. Do not tighten. Insert welded hangers into rubber grommets.

GIBSON EXHAUST systems are designed on a factory stock vehicle
Any aftermarket products installed could increase the sound levels of the exhaust.
Make sure there is a 1" clearance from ALL rubber brake lines, shock boots, lines, tires, etc. to prevent heat related damage or fire.