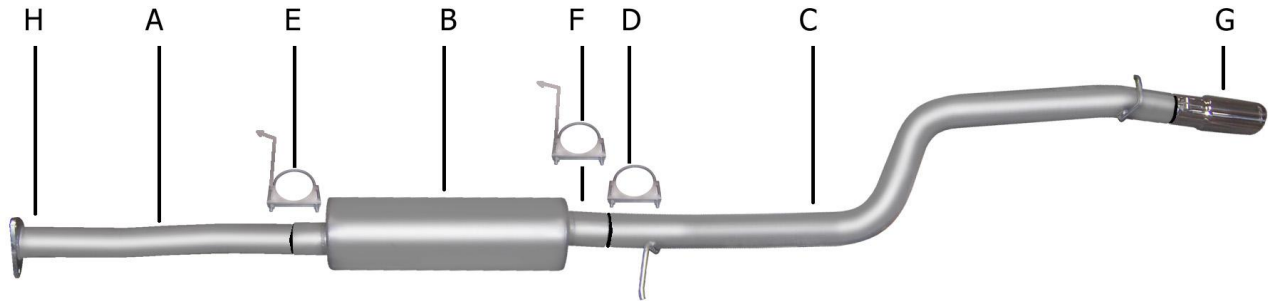




PERFORMANCE EXHAUST SYSTEMS

**INSTRUCTION MANUAL**  
**CAT-BACK STAINLESS SINGLE EXHAUST**  
**CHEVY S-10/SONOMA 4.3L V6 4WD ONLY**  
**EXTENDED CAB, SHORT BED**  
**PART # 614417**

---



---

ITEM	PART #	QUANTITY	DESCRIPTION
A	225-40041S	1	STAINLESS HEADPIPE W/FLANGE #GP-101
B	788200S	1	SUPERFLOW STAINLESS MUFFLER
C	318-70005S	1	2.5" STAINLESS OVERAXLE TAILPIPE
D	40052	1	REAR TAILPIPE HANGER
E	40053	1	FRONT MUFFLER HANGER
F	5757	1	2-1/2" CLAMP
G	500361	1	3" STAINLESS TIP
H	9684	1	FLANGE GASKET

---

Thank you for purchasing our GIBSON EXHAUST SYSTEM for your vehicle. If you need any further assistance, please do not hesitate to call our Technical Department at 1-800-528-3044 Monday through Friday, 8:00 AM to 5:00 PM.

# EXHAUST INSTALLATION # 614417

WHEN INSTALLING THIS EXHAUST SYSTEM MAKE SURE TO USE ALL THE PROPER SAFETY PRECAUTIONS. USE JACK STANDS WHEN UNDER THE TRUCK, SET PARKING, BLOCK TIRES AND USE SAFETY GLASSES. *DO NOT WORK WITH HOT PIPES!*

## SUGGESTED TOOLS:

15mm SOCKET, 9/16" SOCKET, 1/2" SOCKET, 1/2" WRENCH, JACKSTAND, HACKSAW, WD-40

1. Lay out the GIBSON EXHAUST SYSTEM on the floor so it looks like the drawing. (Drawing is not exact, but for placement of parts only.)
2. Unbolt stock head pipe at the flange behind the catalytic converter. You will reuse the stock head pipe flange bolts. Use jack stands to support converter. Cut stock tailpipe off behind the stock muffler and remove stock exhaust. Leave all factory rubber grommet in place. Spray WD-40 on all rubber hangers for easier removal.
3. Bolt on front head pipe #A and gasket #H to the stock head pipe flange. Re-using the stock head pipe bolts.
4. Install #D and #E hangers into Factory rubber grommets. The vertical rods on hangers are on driver side.
5. Slide muffler with inlet towards the converter onto the front head pipe. Use a jack stand to support the muffler and clamp to head pipe using hanger #E, but do not tighten. Muffler outlet will be between 9-10 o'clock. Muffler inlet is looking into the louvers.
6. Install the over axle tailpipe #C into the muffler and insert welded hanger into rubber grommets and clamp using #F. Attach hanger # D to tailpipe. Do not tighten.
7. Install stainless steel tip. Clamp down. To clean stainless tip use any stainless steel or aluminum cleaner.
- 8.. When you have everything in place, tighten all bolts and clamp down.

MAKE SURE YOU HAVE A 1" CLEARANCE ON ALL PIPES FROM ALL RUBBER BRAKE LINES, FUEL LINES, SHOCK BOOTS, TIRES, ETC.