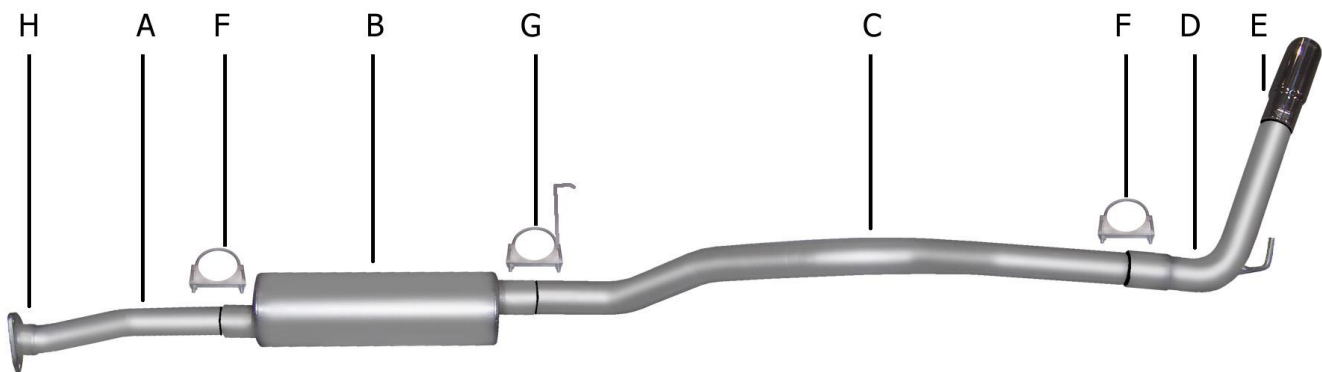




PERFORMANCE EXHAUST SYSTEMS

**INSTRUCTION MANUAL
CAT-BACK SINGLE EXHAUST
CHEVY S10/SONOMA 4.3L 2WD ONLY
STANDARD CAB, SHORT BED
PART # 614424**



ITEM	PART #	QUANTITY	DESCRIPTION
A	195-40051S-12	1	S/S HEADPIPE/WITH FLANGE #GP-101
B	788200S	1	S/S SUPERFLOW MUFFLER
C	196-40042S-4	1	2.5" S/S OVERAXLE TAILPIPE
D	197-40045S-1	1	2.5" S/S TURNOUT PIPE
E	500361	1	3" STAINLESS STEEL TIP
F	5757	2	2-1/2" CLAMP
G	40068	1	O.E. HANGER-REAR MUFFLER
H	9684	1	HEADPIPE GASKET

Z85 SUSPENSION

Thank you for purchasing our GIBSON EXHAUST SYSTEM for your vehicle. If you need further assistance, please do not hesitate to call our Technical Department at (800) 528-3044, Monday through Friday, 8:00 am to 5:00 pm.

EXHAUST INSTALLATION # 614424

WHEN INSTALLING THIS EXHAUST SYSTEM MAKE SURE TO USE ALL THE PROPER SAFETY PRECAUTIONS. USE JACK STANDS WHEN UNDER THE TRUCK, SET PARKING, BLOCK TIRES AND USE SAFETY GLASSES. DO NOT WORK WITH HOT PIPES!

SUGGESTED TOOLS:

15mm SOCKET, 9/16" SOCKET, $\frac{1}{2}$ " SOCKET, $\frac{1}{2}$ " WRENCH, JACKSTAND, HACKSAW, WD-40

1. Lay out the GIBSON EXHAUST SYSTEM on the floor so it looks like the drawing. (Drawing is not exact, but for placement of parts only.)
2. **YOU MUST UNBOLT THE STOCK REAR TAILPIPE HANGER AND ROTATE IT AT 180 DEGREES.**
3. Unbolt stock head pipe at the flange behind the catalytic converter. You will reuse the stock head pipe flange bolts. Use jack stands to support converter. Cut stock tailpipe off behind the stock muffler and remove stock exhaust. Leave all factory rubber grommet in place. Spray WD-40 on all rubber hangers for easier removal.
4. Bolt on front head pipe #A and gasket # H to the stock head pipe flange. Re-using the stock head pipe bolts.
5. Install #G hanger into Factory rubber grommets. The vertical rods on hangers are on driver side.
6. Slide muffler with inlet towards the converter onto the front head pipe. Use a jack stand to support the muffler and clamp to head pipe using #F, but do not tighten. Muffler outlet will be between 9-10 o'clock. Muffler inlet is looking into the louvers.
7. Install the over axle tailpipe #C into the muffler and clamp using #G. Do not tighten.
8. Slide #D turnout pipe onto tailpipe. Roll turnout pipe until you have it at the correct angle for your truck and clamp, using #F. Insert welded hanger into rubber grommet.
9. Install stainless steel tip. Clamp down. To clean stainless tip use any stainless steel or aluminum cleaner.
10. When you have everything in place, tighten all bolts and clamp down.

MAKE SURE YOU HAVE A 1" CLEARANCE ON ALL PIPES FROM ALL RUBBER BRAKE LINES, SHOCK BOOTS, TIRES, ETC.