



PERFORMANCE EXHAUST SYSTEMS

# INSTRUCTION MANUAL

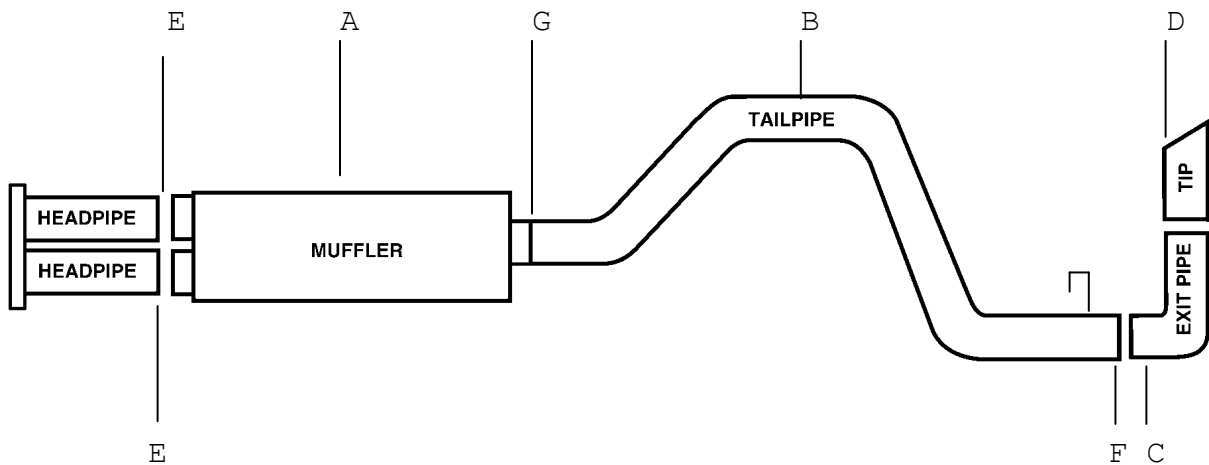
## CAT-BACK ELITE SINGLE EXHAUST

DODGE TRUCK 8.0L, V10 2/4WD

EXTENDED CAB-SHORT BED

DUAL CONVERTER

### PART # 616511



ITEM	PART #	QUANTITY	DESCRIPTION
A	789800S-D	1	STAINLESS SUPERFLOW MUFFLER
B	364-700231S	1	3" STAINLESS OVERAXLE PIPE
C	101-50032RS-6	1	3" STAINLESS TURNOUT PIPE
D	500360	1	3.5" STAINLESS TIP
E	5756	2	2-1/4" CLAMP
F	0HD300	1	3" CLAMP
G	40086	1	O.E. HANGER W/CLAMP

Thank you for purchasing our GIBSON EXHAUST SYSTEM for your vehicle.  
If you need further assistance, please do not hesitate to call our  
Technical Department at (800) 528-3044, Monday through Friday, 8:00 am  
to 5:00 pm.

# EXHAUST INSTALLATION

## DUAL CONVERTERS

WHEN INSTALLING THIS EXHAUST SYSTEM MAKE SURE TO USE PROPER SAFETY PRECAUTIONS. USE JACKSTANDS WHEN UNDER TRUCK, SET PARKING BRAKE, BLOCK TIRES AND USE SAFETY GLASSES AND GLOVES. **DO NOT WORK WITH HOT PIPES!**.

### SUGGESTED TOOLS:

**JACKSTAND, 15MM SOCKET, 9/16 SOCKET, 1/2 WRENCH, 1/2 SOCKET**

1. LAY OUT THE GIBSON EXHAUST SYSTEM ON THE FLOOR SO IT LOOKS LIKE THE DRAWING.
2. UNCLAMP YOUR STOCK MUFFLER AND TAILPIPE AND REMOVE, LEAVING ALL RUBBER GROMMETS IN PLACE. **NOTE:** ON REAR O.E. HANGER, YOU WILL NEED TO REMOVE THE FRONT RUBBER!
3. CONNECT MUFFLER #A WITH INLET TOWARDS THE CONVERTER. USE A JACK STAND TO SUPPORT THE MUFFLER AND CONNECT #E CLAMPS.
4. INSTALL THE OVERAXLE TAILPIPE #B AND CONNECT TO THE MUFFLER, USING #G HANGER/CLAMP. (DO NOT TIGHTEN). INSERT WELDED HANGER INTO RUBBER GROMMET.
4. INSTALL THE TURNOUT PIPE # C AND CLAMP USING # F.
5. INSTALL THE STAINLESS STEEL TIP.
6. WHEN YOU HAVE EVERYTHING IN PLACE, FIRMLY TIGHTEN ALL BOLTS AND CLAMPS DOWN SECURELY.

**MAKE SURE YOU HAVE A 1" CLEARANCE ON ALL PIPES, SHOCKS, TIRES, BRAKE & FUEL LINES, ETC.**