

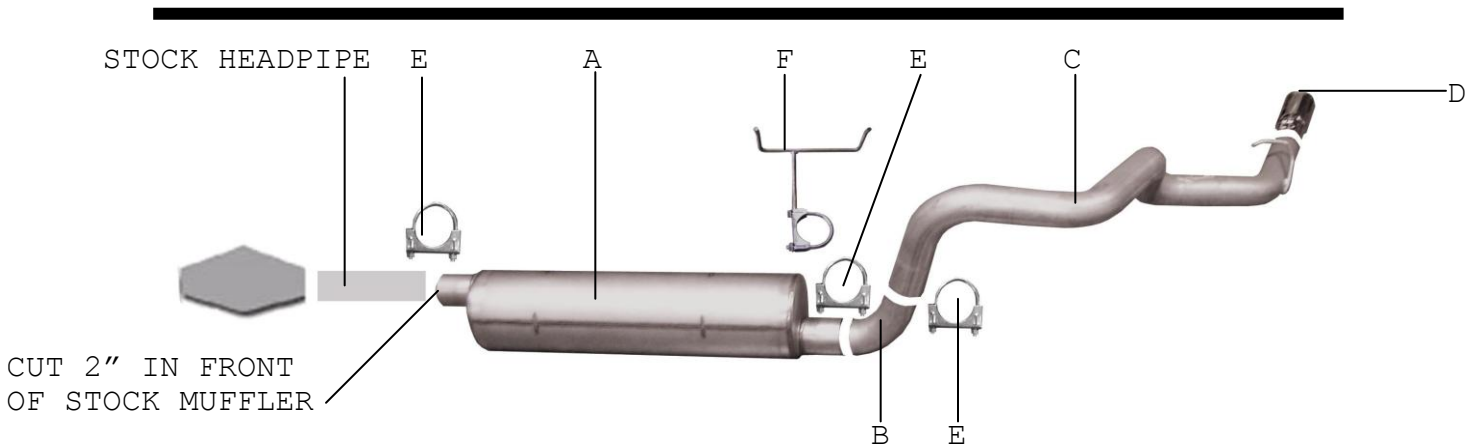


# INSTRUCTION MANUAL

## CAT-BACK SINGLE STAINLESS EXHAUST

### TOYOTA 4 RUNNER 2.7L 2WD 4DR

PART # 618100



ITEM	PART #	QTY	DESCRIPTION
A	788500S-2	1	SUPERFLOW STAINLESS MUFFLER
B	241-500680S-A	1	2-1/2" STAINLESS FRONT TAILPIPE
C	242-500680S-B	1	2-1/2" STAINLESS OVERAXLE TAILPIPE
D	500361	1	3" STAINLESS TIP
E	5757	3	2-1/2" CLAMP
F	4105	1	REAR MUFFLER HANGER

Thank you for purchasing our GIBSON EXHAUST SYSTEM for your vehicle. If you need further assistance, please do not hesitate to call our Technical Department at 1-800-528-3044, Monday through Friday, 8:00 am to 5:00 pm.

# EXHAUST INSTALLATION #618100

WHEN INSTALLING THIS EXHAUST SYSTEM, MAKE SURE TO USE PROPER SAFETY PRECAUTIONS. USE JACK STANDS WHEN UNDER TRUCK, BLOCK TIRES, USE SAFETY GLASSES AND GLOVES.

**DO NOT WORK WITH HOT PIPES!**

1. Lay out the GIBSON EXHAUST SYSTEM on the floor so it looks like the drawing and compare part numbers.
2. **Cut stock exhaust 2" in front of muffler using a hacksaw and remove stock exhaust leaving all of the factory rubber grommets.**
3. Slide muffler with inlet towards the converter onto the stock front pipe. Must be directly against the converter. Use a jack stand to support the muffler and clamp down using clamp #E but do not tighten. Muffler outlet should be approximately between 5-6 o'clock. Muffler inlet is looking into the louvers.
4. Install tailpipe # B with long side into the outlet of the muffler using #F clamp to muffler. Then install over axle tailpipe #C.
5. Install stainless steel tip. Clamp down. To clean stainless tip use a scott brite pad and any stainless steel or aluminum cleaner.
6. When you have everything in place, tighten all bolts and clamp down.

**\*MAKE SURE YOU HAVE A 1" CLEARANCE ON ALL PIPES FROM ALL FUEL & BRAKE LINES, SPARE TIRE, SHOCKS, TIRES, ETC.**