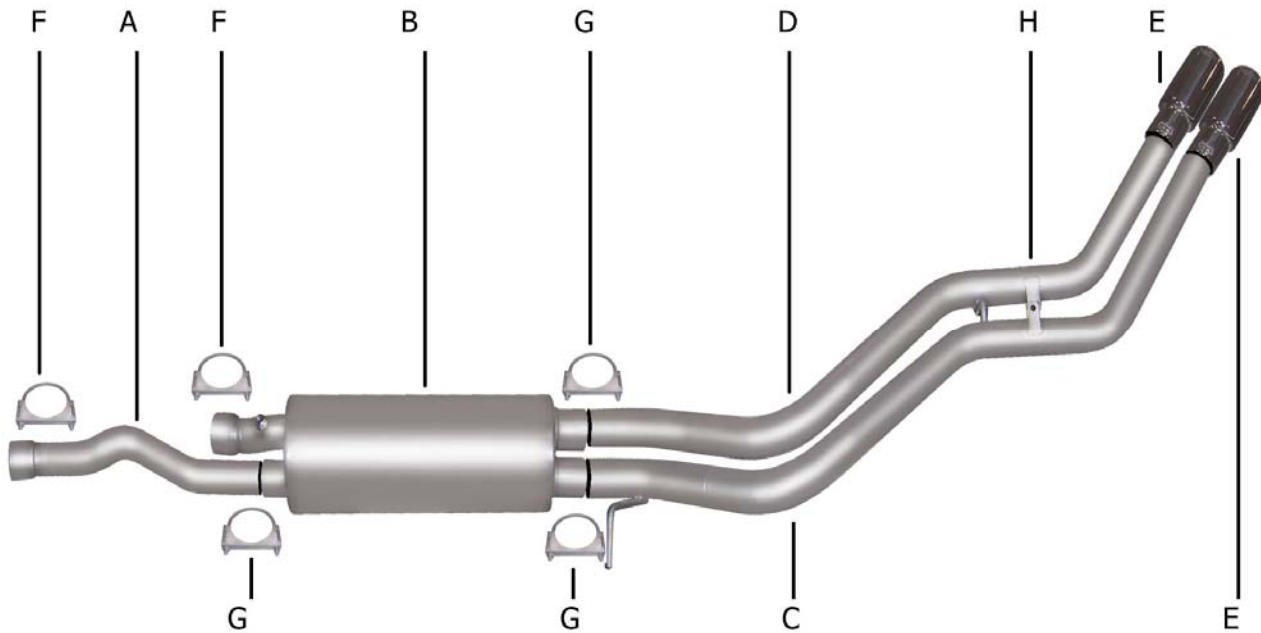




## INSTRUCTION MANUAL

### CAT-BACK STAINLESS DUAL SPORT EXHAUST

**99-01 CHEVY SILVERADO/SIERRA TRUCK 2500/3500 6.0L 2/4WD  
STANDARD CAB, LONG BED  
PART # 65205**



ITEM	PART #	QUANTITY	DESCRIPTION
A	370-700245S	1	2-1/2" STAINLESS DRIVER SIDE HEADPIPE
B	766024S-2	1	STAINLESS SUPERFLOW MUFFLER
C	381-700246S	1	2-1/2" STAINLESS DRIVER SIDE OVERAXLE TAILPIPE
D	331-700191S	1	2-1/2" STAINLESS PASSENGER SIDE OVERAXLE TAILPIPE
E	500396	2	3-1/2" STAINLESS TIPS
F	5758	2	2-3/4" CLAMP
G	5757	3	2-1/2" CLAMP
H	BO-906	1	BOLT KIT FOR TAILPIPE
I	4137	1	SPARE TIRE BRACKET

WILL NOT FIT ON HEAVY DUTY

Thank you for purchasing our GIBSON EXHAUST SYSTEM for your vehicle. If you need further assistance, please do not hesitate to call our Technical Department at 1-800-528-3044, Monday through Friday, 8:00 am to 5:00 pm. 0306

# INSTALLATION INSTRUCTIONS #65205

WHEN INSTALLING THIS EXHAUST SYSTEM, MAKE SURE TO USE PROPER SAFETY PRECAUTIONS. USE JACK STANDS WHEN UNDER VEHICLE, SET PARKING BRAKE, BLOCK TIRES, AND USE SAFETY GLASSES AND GLOVES. **DO NOT WORK WITH HOT PIPES!**

## SUGGESTED TOOLS

7/8 WRENCH, 9/16" SOCKET, 15MM SOCKET, 1/2" WRENCH, 1/2" SOCKET, HACKSAW, JACKSTAND

1. LAY OUT GIBSON EXHAUST SYSTEM ON THE FLOOR SO IT LOOKS LIKE THE DRAWING. (NOTE: DRAWING FOR PLACEMENT OF PARTS ONLY).
2. UNBOLT THE FACTORY O<sub>2</sub> SENSOR BEHIND THE PASSENGER SIDE CATALYTIC CONVERTER. (REMOVE CAREFULLY SO NO DAMAGE OCCURS).
3. REMOVE FACTORY EXHAUST BY CUTTING DIRECTLY IN FRONT OF O<sub>2</sub> SENSOR BUNG ON PASSENGER SIDE (26" IN FRONT OF MUFFLER). (LEAVE ALL RUBBER GROMMETS IN PLACE).
4. INSTALL HEADPIPE #A ONTO FACTORY PIPE USING CLAMP #G. (DO NOT TIGHTEN).
5. CONNECT MUFFLER # C TO HEADPIPES USING #H CLAMP (DO NOT TIGHTEN). OUTLETS OF MUFFLER WILL BE ON TOP. (USE JACKSTAND TO SUPPORT MUFFLER).
6. INSTALL OVERAXLE TAILPIPES #D AND #E AND CONNECT TO MUFFLER USING #H CLAMPS. (DO NOT TIGHTEN). INSERT WELDED HANGER ON PASSENGERSIDE TAILPIPE INTO RUBBER GROMMET.
7. USE #F BOLT KIT TO ATTACH BOTH TAILPIPES TOGETHER.
8. INSTALL STAINLESS TIPS. TO CLEAN STAINLESS TIPS USE A SCOTT BRITE PAD AND ANY STAINLESS OR ALUMINUM CLEANER.
9. WHEN YOU HAVE EVERYTHING IN PLACE, FIRMLY TIGHTEN ALL BOLTS AND CLAMPS DOWN SECURELY.

**MAKE SURE YOU HAVE A 1" CLEARANCE ON ALL PIPES FROM ALL RUBBER BRAKE LINES, SHOCK BOOTS, FUEL LINES, TIRES, ETC**