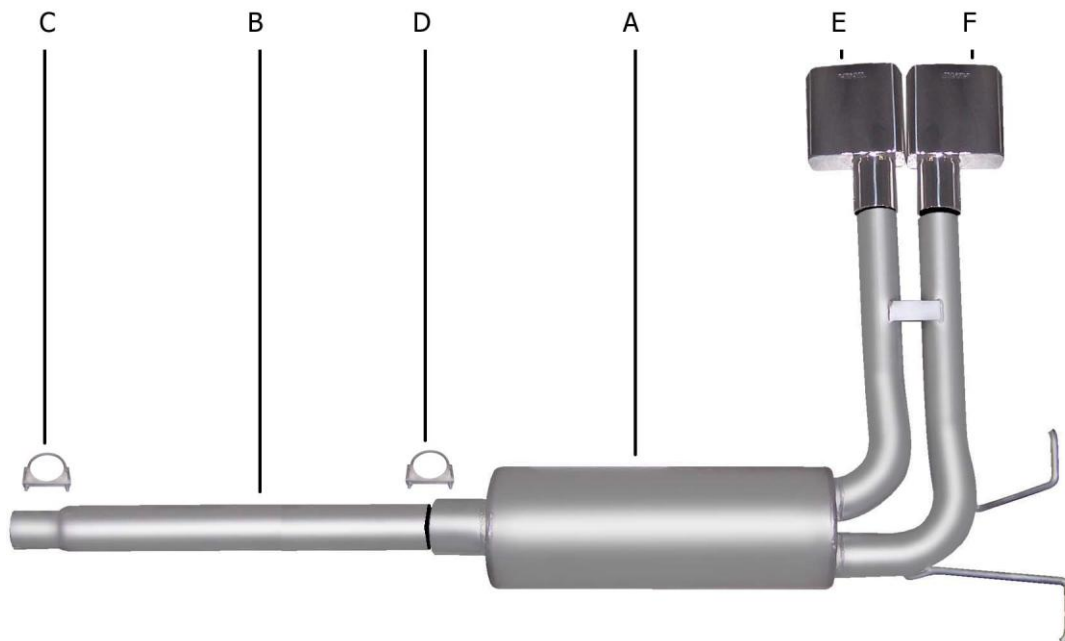




PERFORMANCE EXHAUST SYSTEMS

**INSTRUCTION MANUAL  
SUPER TRUCK STAINLESS EXHAUST  
FORD F150/F250 TRUCK 4.9L, 5.0L, 5.8L 2/4WD  
EXTENDED CAB, LONG BED**

**PART # 69513**



ITEM	PART #	QUANTITY	DESCRIPTION
A	788-700101S	1	MUFFLER STAINLESS ASSEMBLY
B	923-22536S	1	3" X 36-1/2" STAINLESS HEADPIPE
C	5756	1	2-1/4" CLAMP
D	OHD300	1	3" CLAMP
E	500365	1	SUPER TRUCK TIP
F	500366	1	SUPER TRUCK TIP

***Thank you very much for purchasing our GIBSON PERFORMANCE EXHAUST SYSTEM for your vehicle. If you need further assistance, please do not hesitate to call our Technical Department at (800) 528-3044, Monday through Friday, 8:00 am to 5:00 pm***

# EXHAUST INSTALLATION SHEET

PART #69513

WHEN INSTALLING THIS EXHAUST SYSTEM, MAKE SURE TO USE PROPER SAFETY PRECAUTIONS. USE JACK STANDS WHEN UNDER THE TRUCK, SET PARKING BRAKE, BLOCK TIRES, AND USE SAFETY GLASSES AND GLOVES. DO NOT WORK WITH HOT PIPES!

## SUGGESTED TOOLS:

7/8 WRENCH, 9/16 SOCKET, 15MM SOCKET, 1/2 SOCKET, HACKSAW, JACKSTAND

1. Remove stock exhaust from behind the catalytic converter.
2. Lay out the **GIBSON EXHAUST SYSTEM** on the floor so it looks like the drawing with hangers in the proper location.
3. Install headpipe #B and clamp to factory pipe using clamp #C. For '96 models with O2 sensor at rear of converter you may have to cut 2 1/2" off front extension pipe (**CHECK FIRST!**) Turn out pipes should exit on both sides of spring perch.
4. Install muffler assembly # A to headpipe, insert hangers into rubber grommets and clamp to headpipe with clamp #D.
5. Slip stainless tips on to clean stainless steel tip, use a scott brite pad and any stainless steel or aluminum cleaner.
6. When you have everything in place, firmly tighten all bolts and clamp down securely.

**MAKE SURE YOU HAVE A 1" CLEARANCE ON ALL PIPES FROM ALL RUBBER BRAKE LINES, SHOCK BOOTS, TIRES, ETC.**