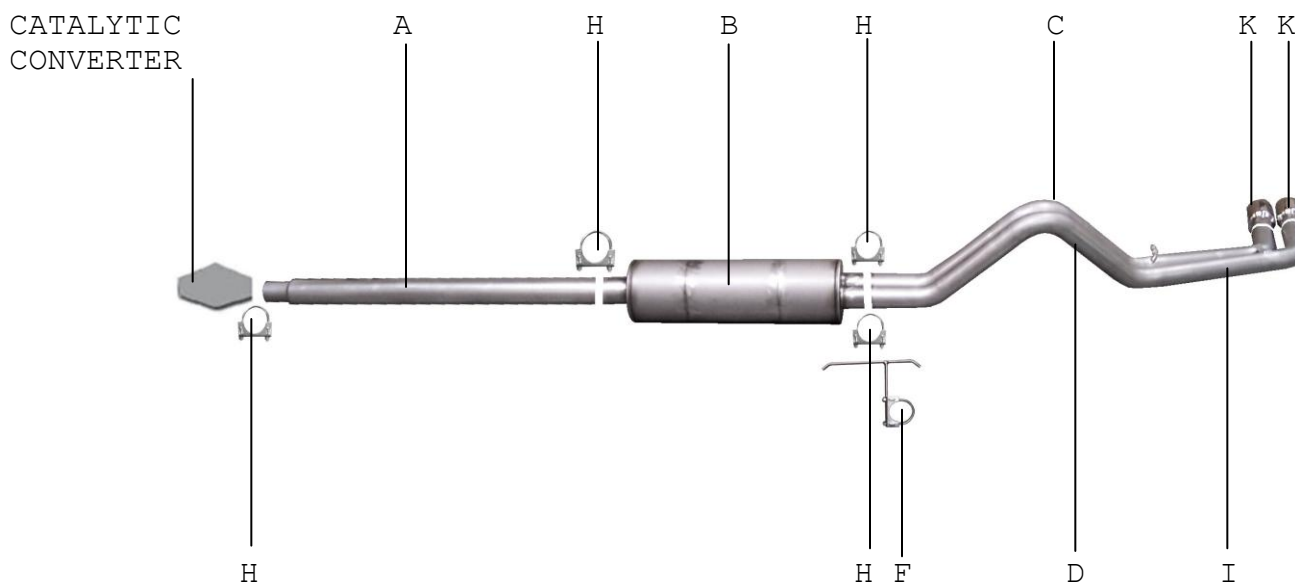




# INSTRUCTION MANUAL

CAT-BACK DUAL STAINLESS SPORT EXHAUST  
 FORD 4.9L, 5.0L, 5.7L  
 EXTENDED CAB, LONG BED

**PART # 69801**



ITEM	PART #	QTY.	DESCRIPTION
A	118-22542S	1	3" X 42" S/S HEADPIPE
B	789800S	1	S/S SUPERFLOW DUAL OUTLET MUFFLER
C	417-700256S	1	2 ½" PASSENGER S/S OVERAXLE PIPE
D	418-700255S	1	2 ½" DRIVER S/S OVERAXLE PIPE
F	500604	1	O.E. REAR MUFFLER HANGER
H	5757	3	2 ½" CLAMP
I	OHD300	1	3" CLAMP
J	BO-906	1	BOLT KIT FOR TAILPIPE
K	500396	2	3-1/2" STAINLESS TIPS

*Thank you for purchasing our GIBSON EXHAUST SYSTEM for your vehicle. If you need further assistance, please do not hesitate to call our Technical Department at (800) 528-3044, Monday through Friday, 8:00 am to 5:00 pm.*

# INSTALLATION INSTRUCTIONS

## PART #69801

WHEN INSTALLING THIS EXHAUST SYSTEM MAKE SURE TO USE ALL THE PROPER SAFETY PRECAUTIONS. USE JACK STANDS WHEN UNDER TRUCK, SET PARKING BRAKE, BLOCK TIRES AND USE SAFETY GLASSES. DO NOT WORK WITH HOT PIPES!

### SUGGESTED TOOLS:

15MM SOCKET, 9/16" SOCKET, 1/2" SOCKET, 1/2" WRENCH, JACKSTAND

1. Lay out the GIBSON EXHAUST SYSTEM on the floor so it looks like the drawing.
2. Remove stock exhaust from behind the converter. Leave all rubber grommets in place.
3. Connect headpipe # A onto the converter. Use jack stands to support converter so it won't drop and connect with clamp # H. Install O.E. hanger #F to help support muffler.
4. Connect muffler to the headpipe with inlet towards the converter. Use a jackstand to support muffler and connect with clamp # I. Do not tighten!
5. Install the overaxle tailpipes, and connect to muffler and connect with clamps # H. Do not tighten! Insert passenger tailpipe hanger into rubber grommet.
6. When you have everything in place, firmly tighten all bolts and clamps down securely.
7. Install stainless tips. To clean stainless steel tip use a scott brite pad and any stainless steel or aluminum cleaner.

### **SPECIAL NOTES:**

- **MAKE SURE YOU HAVE A 1" CLEARANCE ON ALL PIPES FROM ALL RUBBER BRAKE LINES, FUEL LINES, SHOCK BOOTS, TIRES, ETC**

**SPARE TIRE ON SOME MODELS MAY HAVE TO BE LOOSEMED UP AND PUSHED OVER TO THE DRIVERS SIDE**