



# TYPHOON INTAKE SYSTEMS

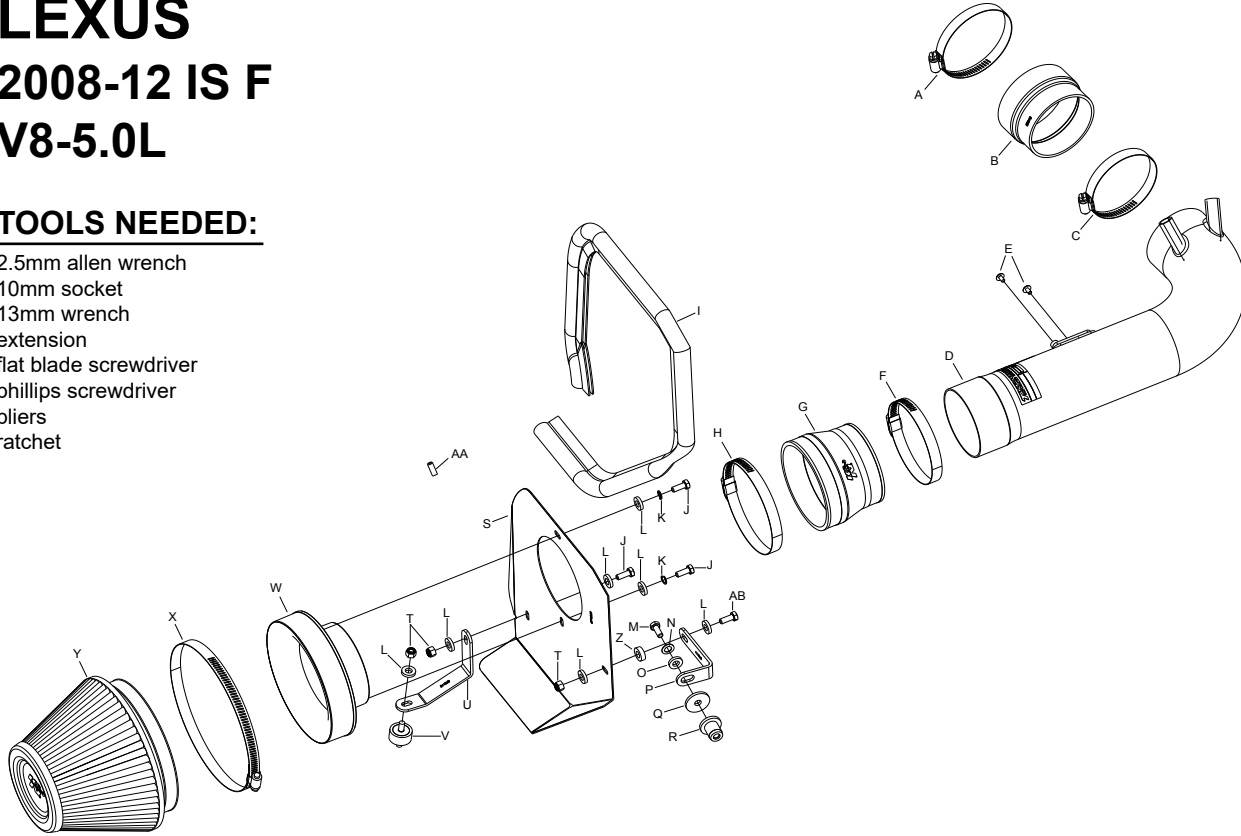
LEGAL IN CALIFORNIA ONLY FOR RACING VEHICLES WHICH MAY NEVER BE USED, REGISTERED OR LICENSED FOR USE UPON A HIGHWAY. See knfilters.com for CARB status on each part for a specific vehicle

## INSTALLATION INSTRUCTIONS

### 69-8703TS LEXUS 2008-12 IS F V8-5.0L

#### TOOLS NEEDED:

- 2.5mm allen wrench
- 10mm socket
- 13mm wrench extension
- flat blade screwdriver
- phillips screwdriver
- pliers
- ratchet



#### PARTS LIST:

Description	Qty.	Part #
A Hose Clamp #52	1	08610
B 3.25"ID to 3.5"ID x 2.25"L, Tprd., Blk.	1	084091
C Hose Clamp #48	1	08601
D Intake Tube	1	27557TS
E Bolt; M4 x .7 x 8mm, Buttonhead	2	07741
F Hose Clamp #56	1	08620
G Hose; 4"ID to 3.5"ID, Tprd; Silicone	1	08050
H Hose Clamp #64 Stainless	1	08645
I Edge Trim (44")	1	102486A
J Bolt; m6-1 x 16mm	3	07812
K Washer; 1/4" Lock, ZN	2	08198
L Washer; 1/4"ID x 5/8"OD - SAE	7	08275
M Bolt; 5/16"-18 x 1"L	1	07777
N Washer; 8mm Spring (Wave)	1	08239
O Washer; 5/16"ID x 5/8"OD, Flat	1	08276
P Bracket; "L", STL, TK/PC	1	070111
Q Washer; 5/16-1.125" Fender	1	08130
R Insert; 5/16-18 x .600 OD x .730L Rubber	1	088002
S Heat Shield	1	074050
T Nut; 6mm Nylock, Hexhead	3	07512
U Bracket; "C", STL, TK/PC	1	070112
V Stud; M6-1.00 M/M, Rubber Mntd.	1	07027
W Adaptor; #454	1	27300
X Hose Clamp #104	1	08697
Y Air Filter	1	RP-4600
Z Spacer; .625"OD x .250"ID x .250"L, AL	1	06555
AA Cap; Rubber 5/16"OD x 5/32"ID x 11/16"H	1	08282
AB Bolt; M6-1.00 X 25mm	1	07858

**NOTE: FAILURE TO FOLLOW INSTALLATION INSTRUCTIONS AND NOT USING THE PROVIDED HARDWARE MAY DAMAGE THE INTAKE TUBE, THROTTLE BODY AND ENGINE.**

#### TO START:

- Turn off the ignition and disconnect the negative battery cable.  
**NOTE: Disconnecting the negative battery cable erases pre-programmed electronic memories. Write down all memory settings before disconnecting the negative battery cable. Some radios will require an anti-theft code to be entered after the battery is reconnected. The anti-theft code is typically supplied with your owner's manual. In the event your vehicles anti-theft code cannot be recovered, contact an authorized dealership to obtain your vehicles anti-theft code.**



- Lift up the engine cover to dislodge it from the mounting grommets and remove it from the engine.



- Pop up the centers of the nine front cover fasteners and remove the fasteners. Remove the front cover from the vehicle.



- Pop up the center of the fresh air intake scoop retainer and remove the retainer. Remove the fresh air intake scoop retaining bolt and remove the fresh air scoop from the vehicle.



- Pop up the centers of the strut tower cover retainer clips and remove the retainer clips. Loosen the strut tower cover retaining nut and then remove the strut tower cover.



- Loosen the two spring clamps that secure the crank case vent hoses to the intake tube. Then disconnect the crank case vent tubes from the intake tube.



- Loosen the two hose clamps, which secure the intake tube to the throttle body and air box. Then remove the intake tube from the vehicle.



- Disconnect the mass air sensor electrical connection and unhook the wiring harness from the air box.



- Disconnect the two vacuum lines from the secondary intake door vacuum switching valve.



10. Remove the bolt which secures the secondary intake door vacuum switching valve to the air box.  
**NOTE: This bolt will be reused in a later step.**



11. Remove the two bolts which secure the air box to the inner fender.



12. Lift up the air box to gain access to the remaining vacuum line connection and wiring harness clip. Disconnect the vacuum line and unhook the wiring harness from the air box. Remove the air box from the vehicle.  
**NOTE: K&N Engineering, Inc., recommends that customers do not discard factory air intake.**



13. Remove the air box mounting grommet shown from the inner fender.



14. Remove the mass air sensor from the factory air box as shown.



15. Install the mass air sensor into the K&N® intake tube and secure with the provided hardware.



16. Install the long edge trim onto the heat shield as shown.

**NOTE: Some trimming of the edge trim will be necessary.**



17. Install the short edge trim onto the heat shield as shown.

**NOTE: Some trimming of the edge trim will be necessary.**



18. Install the heat shield mounting bracket (070111) onto the heat shield as shown.  
**NOTE: Be sure to place the provided spacer between the bracket and heat shield.**



19. Install the filter adapter onto the heat shield and secure with the provided hardware.



20. Install the inserted nut into the air box mounting grommet hole in the inner fender as shown.



21. Install the heat shield assembly and secure the mounting bracket to the inserted nut installed in the previous step.



22. Install the provided rubber mounted stud into the module mounting bracket as shown.



23. Install the heat shield mounting bracket (070112) onto the rubber mounting stud and then secure it to the heat shield with the provided hardware.



24. Install the K&N® air filter and secure with the provided hose clamp.



25. Install the silicone hose (08050) onto the filter adapter as shown and secure with the provided hose clamp.



26. Install the provided silicone hose (084091) onto the throttle body and secure with the provided hose clamp.



27. Install the K&N® intake tube into the silicone hose at the filter adapter, then into the silicone hose at the throttle body. Secure with the provided hose clamps.



28. Connect the crank case vent hoses to the K&N® intake tube and secure with the factory spring clamps.



29. Reconnect the mass air sensor electrical connection.



30. Secure the secondary intake door vacuum switch to the inner fender using the factory mounting bolt.



31. Connect the secondary intake door vacuum supply hose to the solenoid port as shown.



32. Install the vacuum plug onto the open port of the secondary intake door vacuum switch as shown.



33. Install the fresh air intake scoop using the factory bolt and retaining clip.



34. Install the strut tower cover and secure with the factory retaining clips.



35. Install the front cover and secure with the factory retaining clips.



36. Reinstall the engine cover.



37. Reconnect the vehicle's negative battery cable. Double check to make sure everything is tight and properly positioned before starting the vehicle.

38. It will be necessary for all K&N® high flow intake systems to be checked periodically for realignment, clearance and tightening of all connections. Failure to follow the above instructions or proper maintenance may void warranty.

#### ROAD TESTING:

1. Start the engine with the transmission in neutral or park, and the parking brake engaged. Listen for air leaks or odd noises. For air leaks secure hoses and connections. For odd noises, find cause and repair before proceeding. This kit will function identically to the factory system except for being louder and much more responsive.

2. Test drive the vehicle. Listen for odd noises or rattles and fix as necessary.

3. If road test is fine, you can now enjoy the added power and performance from your kit.

4. K&N Engineering, Inc., suggests checking the air filter element periodically for excessive dirt build-up. When the element becomes covered in dirt (or once a year), service it according to the instructions on the Recharger® service kit, part number 99-5050 or 99-5000.

**LEGAL IN CALIFORNIA ONLY FOR RACING VEHICLES WHICH MAY NEVER BE USED, REGISTERED OR LICENSED FOR USE UPON A HIGHWAY.**

See [knfilters.com](http://knfilters.com) for CARB status on each part for a specific vehicle