



INSTALLATION INSTRUCTIONS FOR PART 88-00-9000

Applications

**POCKET PROVISION FOR ISO-DIN
OR**

**STACKED-DIN MODELS OF
FORD • INFINITI • LEXUS • MAZDA • MERCURY
• NISSAN • SAAB • TOYOTA • VOLVO
(SEE INSIDE FOR SPECIFIC APPLICATIONS)**

**88-00-9000/
AT-900PKUV/
AW-900PKUV**

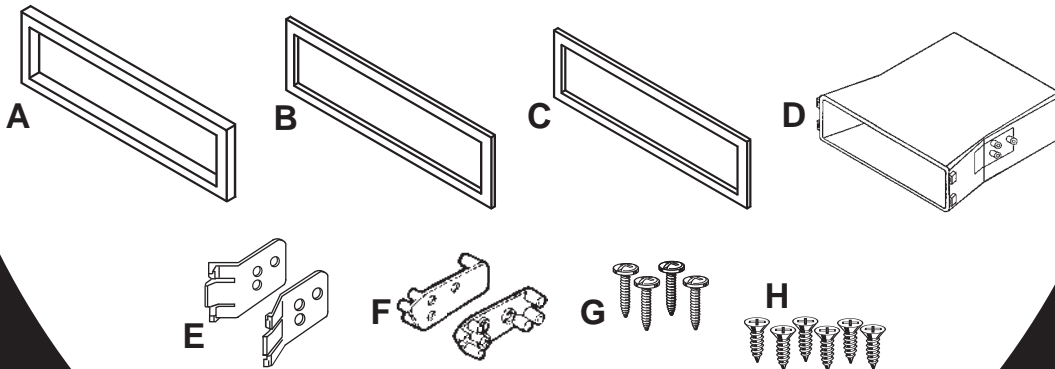


KIT FEATURES

- Holds Three CD Jewel Cases

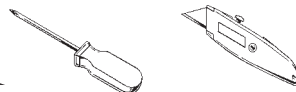
KIT COMPONENTS

- A) Face Plate #1 • B) Face Plate #2 • C) Face Plate #3 • D) Pocket
- E) Brackets Set #1 • F) Brackets Set #2 • G) (4) #8 x 1/4" Phillips Screws
- H) (6) #6 x 1/4" Phillips Flat Head Screws



TOOLS REQUIRED:

- Phillips Screwdriver • Cutting Tool



1-800-221-0932



www.metraonline.com

© COPYRIGHT 2001-2008 METRA ELECTRONICS CORPORATION



APPLICATIONS

FORD

Mustang 1994-2000
Taurus 1986-1989

INFINITI

G20 1999-2002
1991-1996
J30 1993-1997
M30 1990-1992
Q45 1990-2001

LEXUS

ES250 1990-1991

MAZDA

626 1993-2002
929 1992-1997
Miata 1998-2005
Millenia 1995-2002
MX3 1992-1997
MX6 1993-1997
Protege 1995-2004
RX-7 1992-1996
Tribute 2001-2006

MERCURY

Sable 1986-1989

NISSAN

(all models equipped with stack systems except the Quest)

SAAB

9-5 1998-2000
9-3 1999-2000

TOYOTA

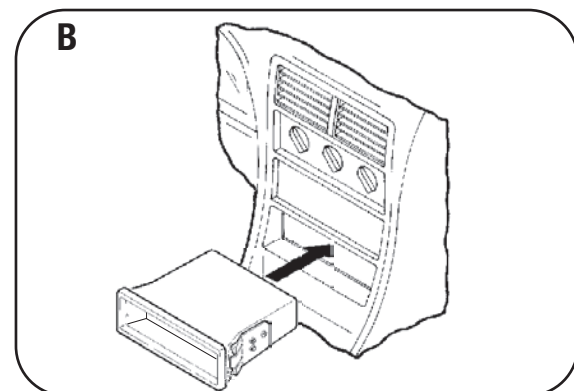
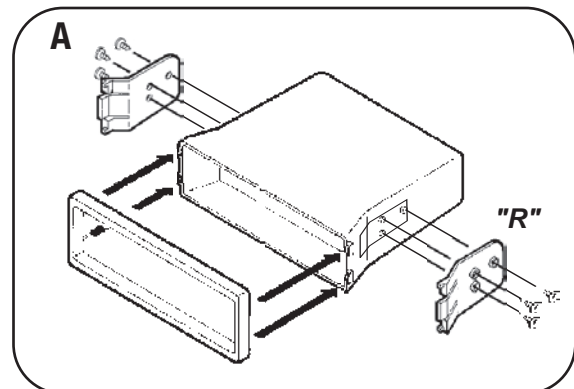
4-Runner 1990-2001
Camry 1983-1996
Celica 1982-1997
Corolla 1994-1997
Cressida 1985-1992
Landcruiser 1988-2001
MR2 1987-1989
1991-1995
Pickup 1989-1995
Previa 1991-1995
Solara 1999-2003
Supra 1982-1998
T100 1995-1998
Tacoma 1996-1998
Tercel 1983-1998
Sienna 1998-2001
Tundra 1999-2002

VOLVO

S40 2000-2004
V40 2000-2003
70 series 1999
C70 1998-2002
C70 Convertible 2003
S70 1998-2000
S90/V90 1997-1999
V70 1998-2000
850 series 1993-1998
900 series 1993-1998
960 series 1992-1997

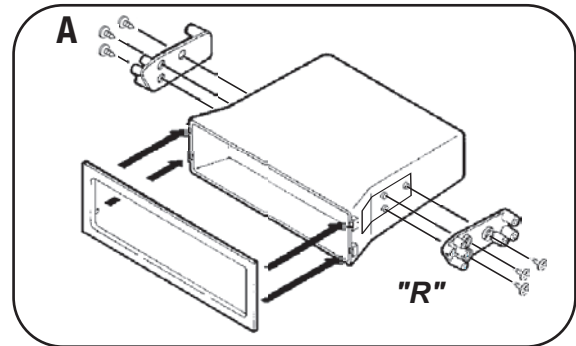
FORD/MAZDA/MERCURY

- 1 Snap **Face Plate #1** onto the front of the **Pocket**. Locate **Bracket Set #1** and mount the "L" Bracket to the "L" side of the **Pocket** with (3) **#6 x 1/4" Phillips Flat Head Screws** and the "R" Bracket to the "R" side of the **Pocket** with (3) **#6 x 1/4" Phillips Flat Head Screws**. (Figure A)
- 2 Slide the pocket assembly into the dash opening until the side clips engage. (Figure B)

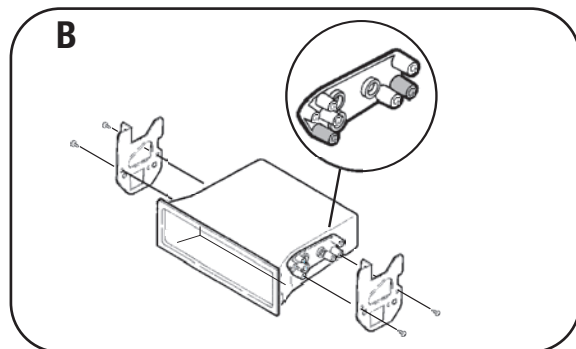


NISSAN/INFINITI

- 1 Snap **Face Plate #3** onto the front of the **Pocket**. Locate **Bracket Set #2** and mount the "L" Bracket to the "L" side of the **Pocket with (3) #6 x 1/4" Phillips Flat Head Screws** and the "R" Bracket to the "R" side of the **Pocket with (3) #6 x 1/4" Phillips Flat Head Screws**. (Figure A)

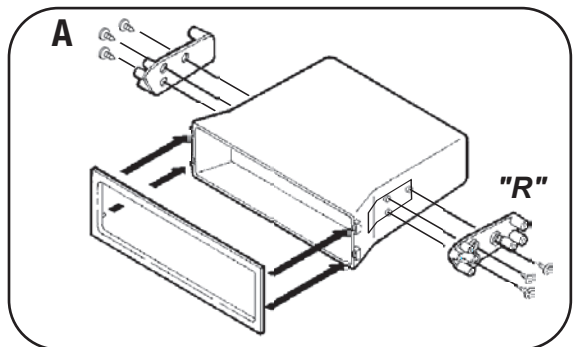


- 2 Mount the factory brackets to the shaded bosses (Fig. A) with **(4) #8 x 1/4" Phillips Screws** supplied and mount the entire assembly to the sub-dash. (Figure B)

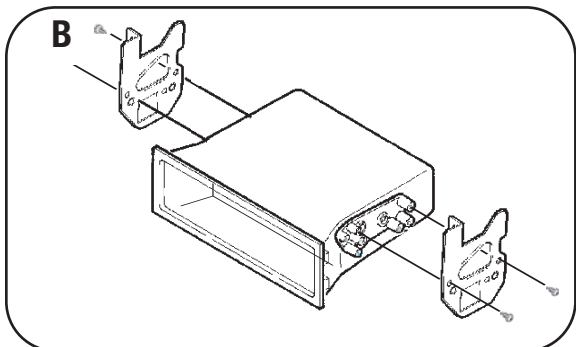


TOYOTA/LEXUS

- 1 Snap **Face Plate #2** onto the front of the **Pocket**. Locate **Bracket Set #2** and mount the "L" Bracket to the "L" side of the **Pocket with (3) #6 x 1/4" Phillips Flat Head Screws** and the "R" Bracket to the "R" side of the **Pocket with (3) #6 x 1/4" Phillips Flat Head Screws**. (Figure A)

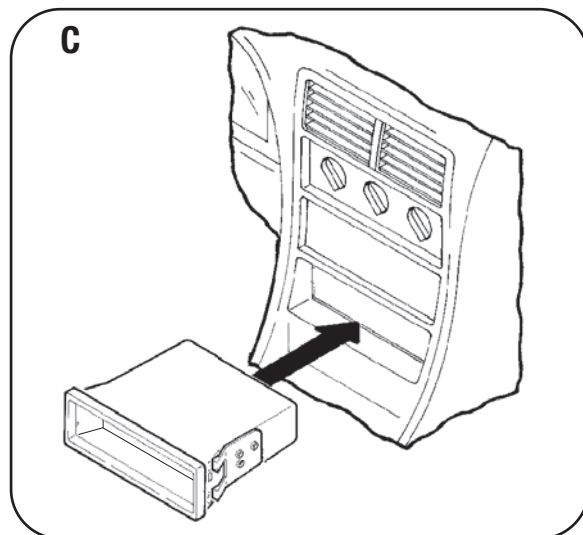
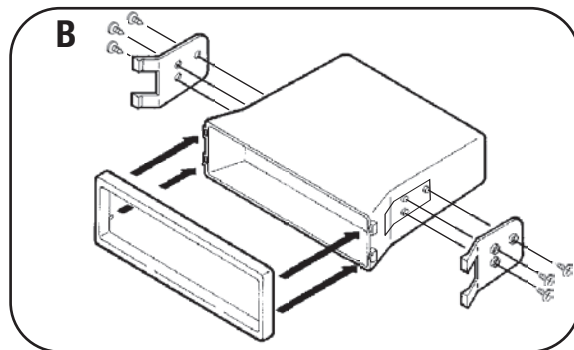
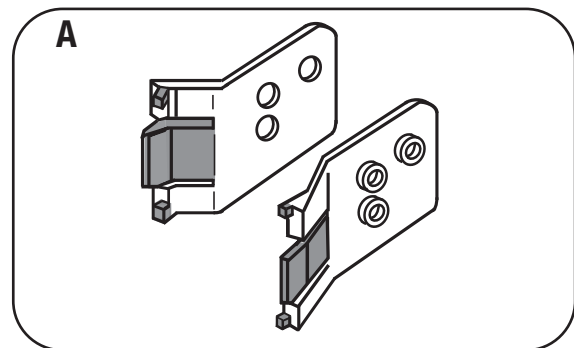


- 2 Mount the pocket assembly to the factory brackets with **(4) #8 x 1/4" Phillips Screws** supplied and mount the entire assembly to the sub-dash. (Figure B)



VOLVO/SAAB

- 1** Cut and remove the shaded portions of **Bracket Set #1**. (Figure A)
- 2** Snap **Face Plate #1** onto the front of the **Pocket**. Mount the “L” Bracket to the “L” side of the **Pocket** with **(3) #6 x 1/4" Phillips Flat Head Screws** and the “R” Bracket to the “R” side of the **Pocket** with **(3) #6 x 1/4" Phillips Flat Head Screws**. (Figure B)
- 3** Slide the pocket assembly into the dash opening until the side clips engage. (Figure C)



INSTALLER INSTITUTE

Turn your hobby into a career at Installer Institute, the educational leader of the mobile electronics industry. Log onto www.installerinstitute.com or call 800-354-6782 for more information and start your new career today.



1-800-221-0932



www.metraonline.com

REV. 11/03/08 © COPYRIGHT 2001-2008 METRA ELECTRONICS CORPORATION INST88-00-9000