



INSTALLATION INSTRUCTIONS FOR PART 99-5715LD

APPLICATIONS FORD Taurus MERCURY Sable 1996-1999

NOTE: Metra's 70-5716 must be used with 1998-1999 models.

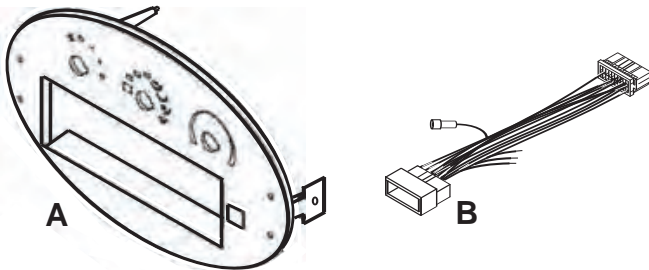
99-5715LD

KIT FEATURES

- DIN Radio Provision

KIT COMPONENTS

A) Integrated Mounting Kit • B) Extension Harness



TOOLS REQUIRED:

Torx Driver • 86-5618 Head Unit Removal Keys • Dremel Tool



1-800-221-0932



www.metraonline.com

© COPYRIGHT 2007 METRA ELECTRONICS CORPORATION



TABLE OF CONTENTS

Dash Disassembly

- FORD Taurus 1996-1999..... 1
- MERCURY Sable 1996-1999..... 1
Kit Preparation 2

Kit Assembly

- DIN Radio Provision with Pocket. 3,4

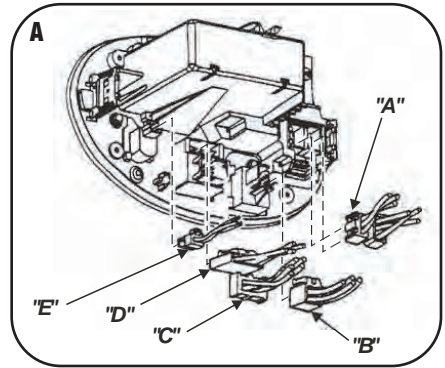
Final Assembly 5

***Note:**

Refer also to the instructions included with the aftermarket radio.

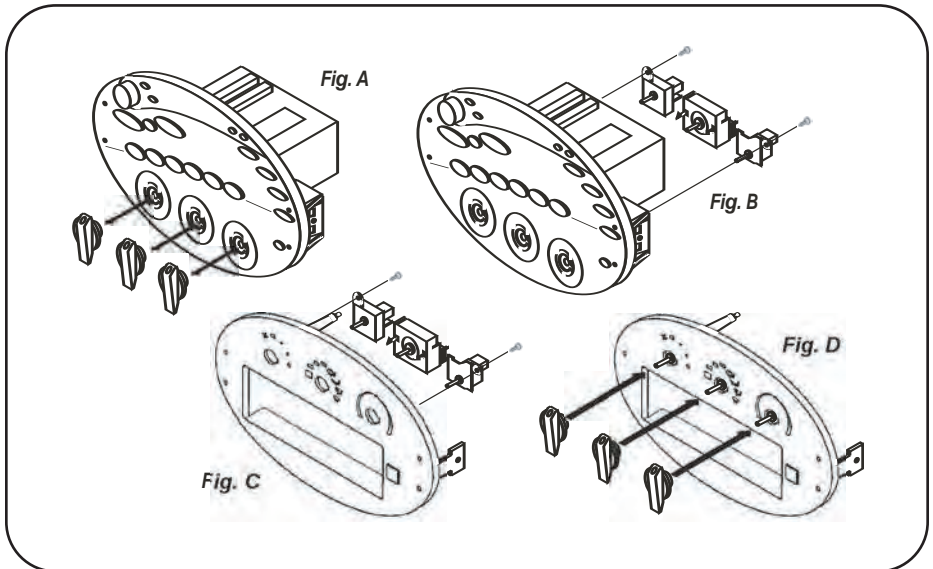
FORD Taurus and Mercury Sable 1996-1999

- 1 Disconnect the negative battery terminal to prevent an accidental short circuit.
- 2 Using Metra's 86-5618, pull the factory radio/climate control panel from the dash. Disconnect the audio system connectors ("A"), blower motor switch connector ("B"), vacuum hose harness ("C"), a/c damper door switch connector ("D"), and potentiometer connector ("E"). Remove the panel. (Figure A)



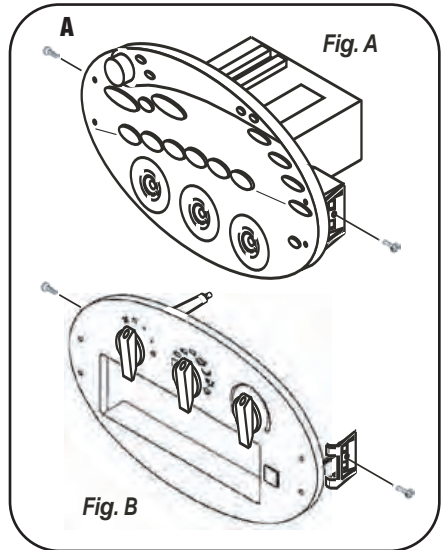
- 3 Turn the factory climate control dials into a vertical position and pull the dials off. (see Fig. A). Remove (2) hex-head screws securing the outer climate control switches and remove the switches. Unclip the center climate control switch and remove the switch. (see Fig. B). Mount the switches to the back of the **Integrated Mounting Kit** using the same hex-head screws. (see Fig. C). Holding the climate control dials in a vertical position, insert the dials onto the posts of the mounted switches and secure. (see Fig. D)

Continue kit preparation on next page.



FORD Taurus and Mercury Sable 1996-1999

- 1 Remove (2) torx-head screws securing the mounting clips to the sides of the factory radio/climate control panel and remove the clips. (Figure A) Mount the clips to the **Integrated Mounting Kit** with the same torx-head screws. (Figure B)

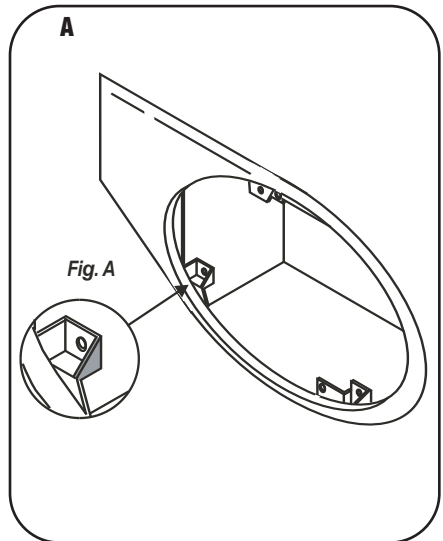
**1 FOR MODELS WITH BENCH SEATS:**

Cut and remove the shaded portion of the support rib located in the bottom-left corner of the sub-dash. (Figure A)

2 FOR MODELS WITH BUCKET SEATS:

Relocate the module in the sub-dash. Cut and remove 1/4" from the top of each bottom mounting tab in the sub-dash.

Continue to kit assembly.

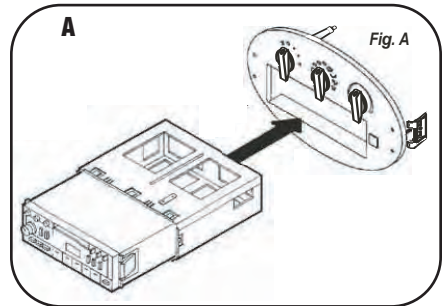


DIN RADIO PROVISION

**Note: Refer also to the instructions included with the aftermarket radio.*

- 1 Slide the DIN cage into the **Integrated Mounting Kit** and secure by bending the metal locking tabs down. Slide the aftermarket head unit into the cage until secure. (Figure A)

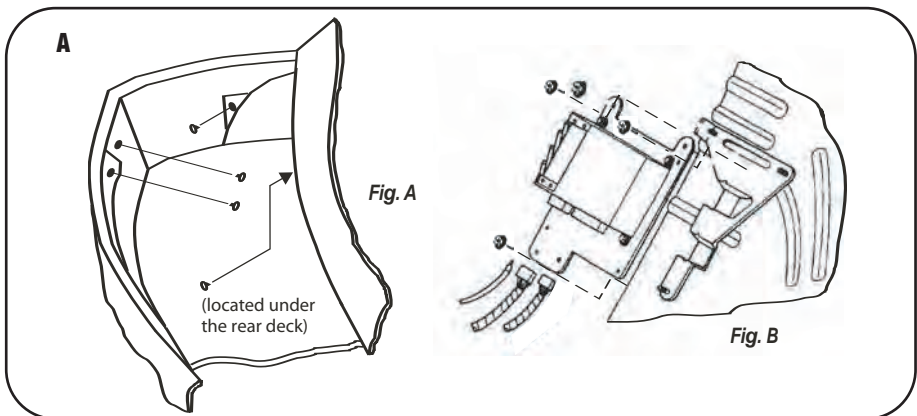
Continue to final assembly.



FORD Taurus and Mercury Sable 1996-1999

**Note: Refer also to the instructions included with the aftermarket radio.*

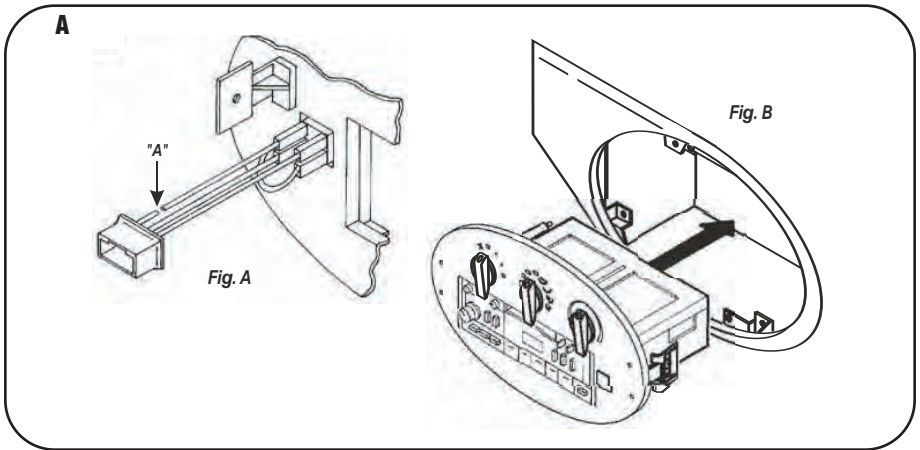
- 1 Open the trunk, remove (4) pop-clips from the driver's side trunk liner and remove the liner. (Figure A) Locate the factory tuner on the wall of the trunk and disconnect the speaker and antenna plugs (it is NOT necessary to remove the tuner). (Figure B) Plug the speaker extension lead into the unit speaker plug and the antenna extension lead into the unit antenna plug. Slide the extension harness through the space in the back seat between the seat back and seat bottom. Unclick the rocker trim, tuck the extension harness under the carpet and stretch the harness to the back of the dash. (Replace the rocker trim when completed). Splice the speaker leads on the extension harness into the rear of the aftermarket head unit. Plug the factory wiring harnesses into the switch connectors (previously mounted in step #2) and audio connectors on the back of the **Integrated Mounting Kit**.



FORD Taurus and Mercury Sable 1996-1999

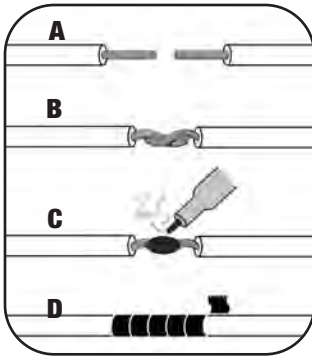
**Note: Refer also to the instructions included with the aftermarket radio.*

- 1 Re-connect the battery terminal and test the unit, climate controls and rear defroster for proper operation. (If the rear defroster does not work, cut the black wire on the switch plug at position "A" and connect the wire extending from the rear defroster switch to ground. (see Fig. A). Snap the **Integrated Mounting Kit** assembly into the sub-dash. (see Fig. B)



Continue to final assembly.

FINAL ASSEMBLY



- (A) Strip wire ends back 1/2"**
- (B) Twist ends together**
- (C) Solder**
- (D) Tape**

- 1** Locate the factory wiring harness in the dash. Metra recommends using the proper mating adapter and making connections as shown. (Isolate and individually tape off the ends of any unused wires to prevent electrical short circuit.)
- 2** Re-connect the negative battery terminal and test the unit for proper operation.
- 3** Reassemble in reverse order of disassembly using the 99-5715LD **Integrated Mounting Kit** in place of the factory radio climate control panel.

FINAL WIRING CONNECTIONS

Make wiring connections using the EIA color code chart shown below and the instructions included with the head unit. Metra recommends making connections as shown below; Strip, Splice, Solder, Tape. Isolate and individually tape off ends of any unused wires to prevent electrical short circuit.

METRA / EIA WIRING CODE

12V Ignition / Acc. Red	Right Front (+) Gray
12V Batt / Memory Yellow	Right Front (-) Gray/ Black
Ground Black*	Left Front (+) White
Power Antenna Blue	Left Front (-) White / Black
Amp Turn-On Blue / White	Right Rear (+) Violet
Amp Ground Black / White	Right Rear (-) Violet / Black
Illumination Orange	Left Rear (+) Green
Dimmer Orange / White	Left Rear (-) Green / Black

***NOTE:** When a Black wire is not present, ground radio to vehicle chassis.
All colors may not be present on all leads due to manufacturer's specifications.

99-5715LD INSTRUCTIONS



1-800-221-0932



www.metraonline.com

REV. 12/27/07 © COPYRIGHT 2007 METRA ELECTRONICS CORPORATION INST99-5715LD