

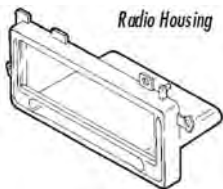
KIT FEATURES

- ▶ *Pocket provisions*



99-6000 INSTALLATION INSTRUCTIONS

KIT COMPONENTS



APPLICATIONS

**CHRYSLER / DODGE / EAGLE / JEEP
PLYMOUTH VEHICLES 1974-00
(SEE INSIDE FOR SPECIFIC APPLICATIONS)**

TOOLS REQUIRED



Phillips screwdriver



Cutting tool



Panel removal tool



☎ **1-800-221-0932** 💻 **www.metraonline.com**

© **COPYRIGHT 2001 METRA ELECTRONICS CORPORATION**

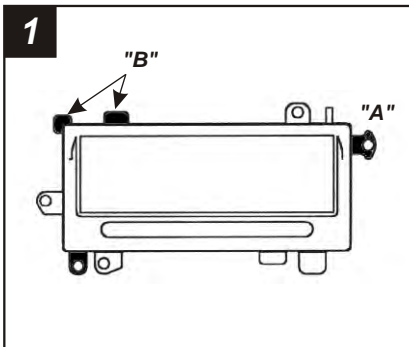
TABLE OF CONTENTS

CAR	PAGE	CAR	PAGE	CAR	PAGE
CHRYSLER		DODGE (cont.)		EAGLE	
Cirrus 1995-00.....	2	Charger 1974-78.....	1	Vision 1993-97.....	1
Concorde 1993-97.....	1	Charger 1983-87.....	1	JEEP	
Cordoba 1975-78.....	1	Dakota 1987-96.....	1	Cherokee 1997-01.....	1
Cordoba 1979-83.....	1	Dakota 1997-00.....	1	Grand Cherokee 1993-95.....	2
E-Class 1983-84.....	1	Daytona 1984-89.....	1	Grand Cherokee 1996-98.....	1
Fifth Avenue 1990-94.....	1	Daytona 1990-93.....	1	Wrangler 1997-02.....	1
Imperial 1982-83.....	1	Diplomat 1976-89.....	1	PLYMOUTH	
Imperial 1990-93.....	1	Durango 1997-00.....	1	Acclaim 1989-95.....	1
Laser 1984-85.....	1	Dynasty 1988-93.....	1	Breeze 1996-99.....	2
LeBaron 1976-81.....	1	Intrepid 1993-97.....	1	Caravelle 1985-88.....	1
LeBaron 1982-85.....	1	Lancer 1986-89.....	1	Fury 1975-78.....	1
LeBaron 1986-95.....	1	Magnum XE 1978-79.....	1	Gran Fury 1975-85.....	1
LeBaron GTS 1985-95.....	1	Mirada 1979-83.....	1	Horizon 1978-82.....	1
LHS 1993-98.....	1	Neon 1994-99.....	1	Horizon 1984-90.....	1
Newport 1980-81.....	1	Omni 1978-82.....	1	Neon 1994-99.....	1
New Yorker 1980-81.....	1	Pickup 1974-80.....	1	Reliant 1981-89.....	1
New Yorker 1983-87.....	1	Pickup 1981-93.....	1	Scamp 1983-84.....	1
New Yorker 1988-96.....	1	Ram 1994-00.....	1	Sundance 1987-94.....	1
Prowler 1997-02.....	1	Ramcharger 1974-80.....	1	TC3 1978-82.....	1
Sebring 1995-00.....	2	Ramcharger 1981-93.....	1	Trailduster 1974-80.....	1
Sebring (conv.) 1996-00.....	2	Rampage 1978-82.....	1	Trailduster 1981.....	1
Town & Country 1990-95.....	1	Shadow 1987-94.....	1	Turismo 1983-87.....	1
Town & Country 1996-00.....	1	Spirit 1989-95.....	1	Van 1978-97.....	1
DODGE		St. Regis 1979-81.....	1	Volare 1976-80.....	1
Aries 1981-89.....	1	Stratus 1995-00.....	2	Voyager 1984-90.....	1
Aspen 1976-80.....	1	Van 1978-02.....	1	Voyager 1991-95.....	1
Avenger 1995-00.....	2	024 1978-82.....	1	Voyager 1996-00.....	1
Caravan 1984-90.....	1	400 1982-83.....	1		
Caravan 1991-95.....	1	600 1983-87.....	1		
Caravan 1996-00.....	1				



THIS KIT HAS BEEN SPECIALLY DESIGNED WITH SUPPORT RIBS TO INSURE STRUCTURAL INTEGRITY DURING SHIPPING. PLEASE CUT AND REMOVE THESE RIBS FROM THE RADIO OPENING BEFORE BEGINNING YOUR INSTALLATION.

CHRYSLER/DODGE/EAGLE/JEEP/PLYMOUTH vehicles (EXCEPT Grand Cherokee 1993-95, Cirrus, Stratus, Sebring, Sebring convertible, and Avenger)

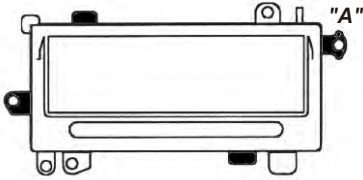


Please call Metra's Technical Support line for individual dash disassemblies.

Cut and remove all mounting tabs on the **Radio Housing** EXCEPT the shaded tabs. Cut and remove the lower locating pin on tab "A". (It may be necessary to trim tabs "B" for some applications). *Skip to the Installation Instructions for ALL VEHICLES on Page #3.*

**CHRYSLER Cirrus 1995-00 / Sebring (convertible) 1996-00
DODGE Stratus 1995-00 / PLYMOUTH Breeze 1996-99**

1

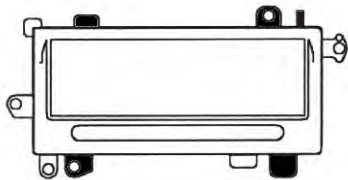


Please call Metra's Technical Support line for individual dash disassemblies.

Cut and remove all mounting tabs on the **Radio Housing** EXCEPT the shaded tabs. Cut and remove the upper locating pin on tab "A". Skip to the *Installation Instructions* for ALL VEHICLES on Page #3.

CHRYSLER Sebring 1995-00 / DODGE Avenger 1995-00

1

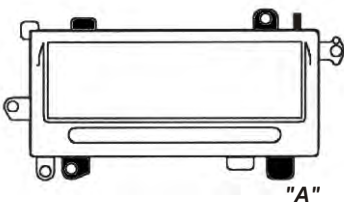


Please call Metra's Technical Support line for individual dash disassemblies.

Cut and remove all mounting tabs on the **Radio Housing** EXCEPT the shaded tabs. Skip to the *Installation Instructions* for ALL VEHICLES on Page #3.

JEEP Grand Cherokee 1993-95

1

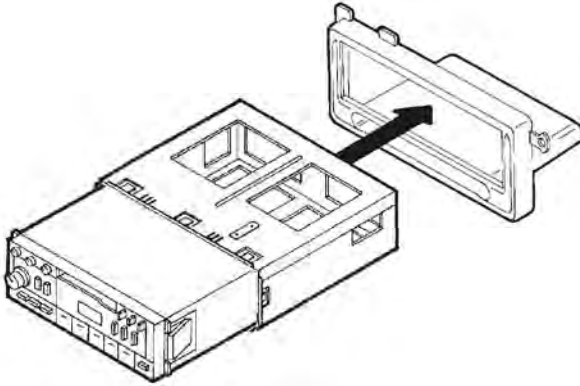


Please call Metra's Technical Support line for individual dash disassemblies.

Cut and remove all mounting tabs on the **Radio Housing** EXCEPT the shaded tabs. Cut tab "A" along the scored line and remove the bottom portion of the tab. Skip to the *Installation Instructions* for ALL VEHICLES on Page #3.

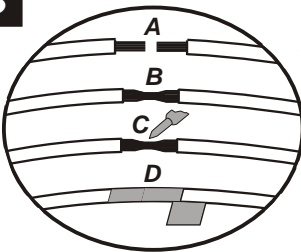
ALL VEHICLES

2



DIN HEAD UNITS: Slide the DIN cage into the kit and secure by bending the metal locking tabs down. Slide the aftermarket head unit into the cage until secure.

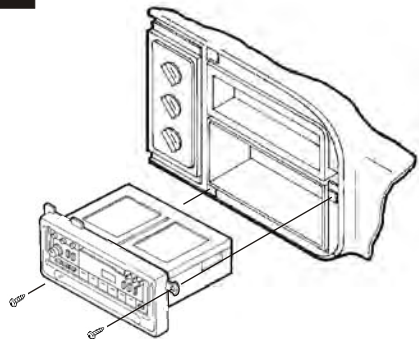
3



- A) Strip wire ends back $\frac{1}{2}$ "
- B) Twist ends together
- C) Solder
- D) Tape

Locate the factory wiring harness in the dash. Metra recommends using the proper mating adaptor and making connections as shown. (Isolate and individually tape off the ends of any unused wires to prevent electrical short circuit).

4



Re-connect the battery terminal and test the unit for proper operation. Mount the head unit/kit assembly to the sub-dash with those screws previously removed in step #1.