



INSTALLATION INSTRUCTIONS FOR PART 99-6507

APPLICATIONS

DODGE

Caliber 2007-2008
 Charger 2005-2007
 Dakota 2005-2007
 Durango 2004-2007
 Magnum 2005-2007
 Ram 2006-2008

MITSUBISHI

Raider 2006-2007

CHRYSLER

300 2005-2007
 Aspen 2007
 PT Cruiser 2006-2009

JEEP

Commander 2006-2007
 Compass 2007-2008
 Grand Cherokee 2005-2007
 Patriot 2007-2008

NOTE: NON NAV MODELS ONLY

99-6507

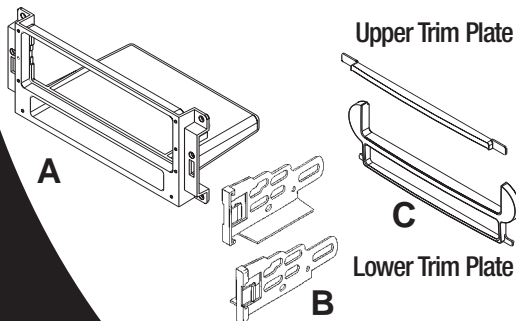
KIT FEATURES

- DIN Radio Provision with Pocket
- ISO DIN Radio Provision with Pocket



KIT COMPONENTS

A) Radio Housing • B) ISO Snap-In Brackets • C) Trim Plates (upper & lower)



WIRING AND ANTENNA CONNECTIONS (Sold Separately)

Harness:

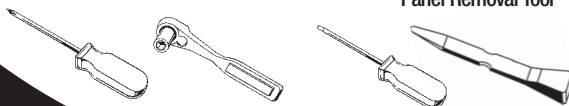
- CHT0-01 - Chrysler amp interface harness 2004-up
- XSVI-6502-NAV - Chrysler R.A.P. harness 2004-up

Antenna Adapter:

- 40-CR10 - Chrysler antenna adapter 2002-up

TOOLS REQUIRED:

- Phillips Screwdriver • Socket Wrench • Small Flat Blade Screwdriver or Panel Removal Tool



1-800-221-0932



www.metraonline.com

© COPYRIGHT 2004-2009 METRA ELECTRONICS CORPORATION

TABLE OF CONTENTS

Dash Disassembly

- Chrysler Aspen 2007	1
- Dodge Dakota 2005-2007	1
- Dodge Durango 2004-2007	1
- Dodge Charger 2005-2007	2
- Dodge Magnum 2005-2007	2
- Chrysler 300 2005-2007	3
- Dodge Ram 2006-2008 (Without Center Console)	4
- Dodge Ram 2006-2008 (With Mini Center Console)	5
- Dodge Ram 2006-2008 (With Full Center Console)	6
- Dodge Caliber 2007-2008	7
- Jeep Compass 2007-2008	7
- Jeep Patriot 2007-2008	7
- Jeep Grand Cherokee 2005-2007	8
- Jeep Commander 2006-2007	9
- Chrysler PT Cruiser 2006-2009	10
- Mitsubishi Raider 2006-2007	11

Kit Assembly

- DIN Radio Provision with Pocket	12
- ISO Radio Provision with Pocket	13

<u>Final Assembly</u>	14
-----------------------------	----

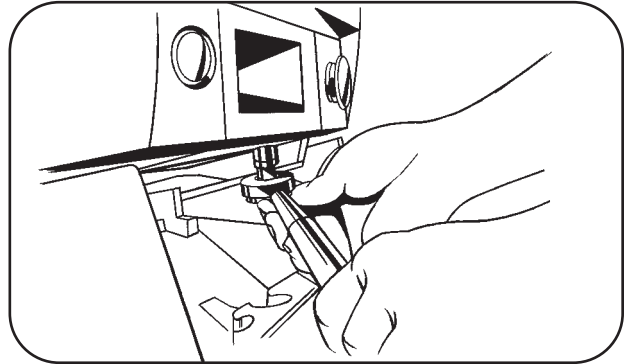
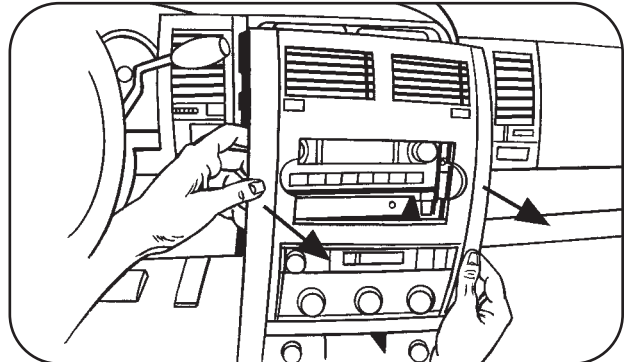
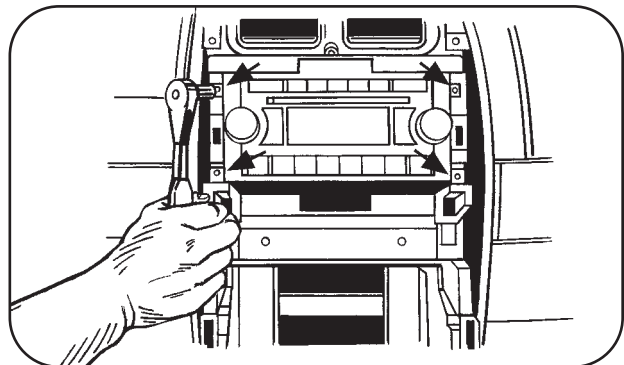


KNOWLEDGE IS POWER

Enhance your installation and fabrication skills by enrolling in the most recognized and respected mobile electronics school in our industry. Log onto www.installerinstitute.com or call 800-354-6782 for more information and take steps toward a better tomorrow.

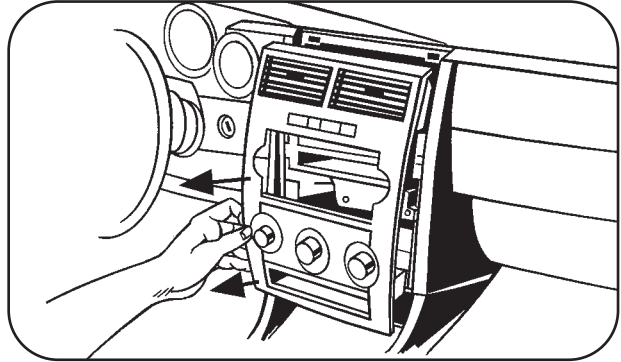
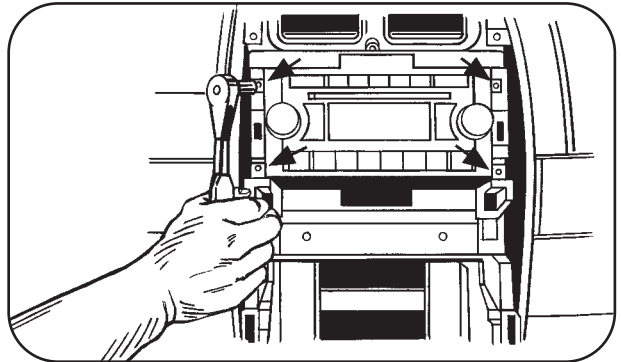
CHRYSLER ASPEN 2007
DODGE DAKOTA 2005-2007
DODGE DURANGO 2004-2007

- 1 Disconnect the negative battery terminal to prevent an accidental short circuit.
- 2 Remove (2) 7MM screws from the inside of the pocket facing upward. (**Figure A**)
- 3 Unclip and remove the entire trim panel surrounding the radio and climate controls. (**Figure B**)
- 4 Remove (4) 7MM screws securing radio. Unplug and remove radio. (**Figure C**)
- 5 Continue to kit assembly.

A**B****C**

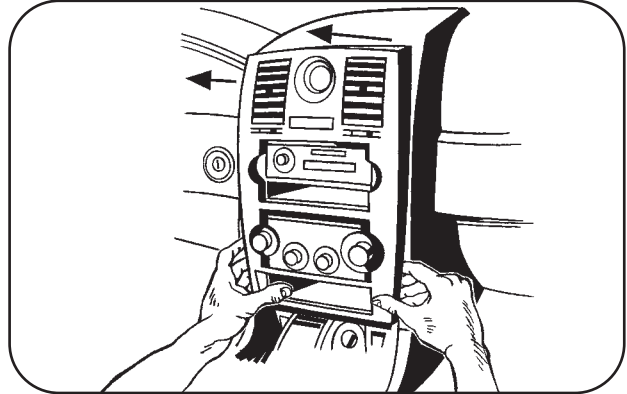
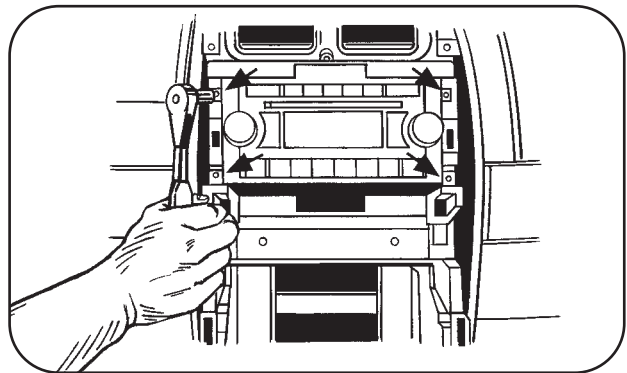
DODGE CHARGER 2005-2007
DODGE MAGNUM 2005-2007

- 1** Disconnect the negative battery terminal to prevent an accidental short circuit.
- 2** Unclip and remove entire panel surrounding radio and climate controls, including a/c vents. (**Figure A**)
- 3** Remove (4) 7MM screws securing radio. Unplug and remove radio. (**Figure B**)
- 4** Continue to kit assembly.

A

B


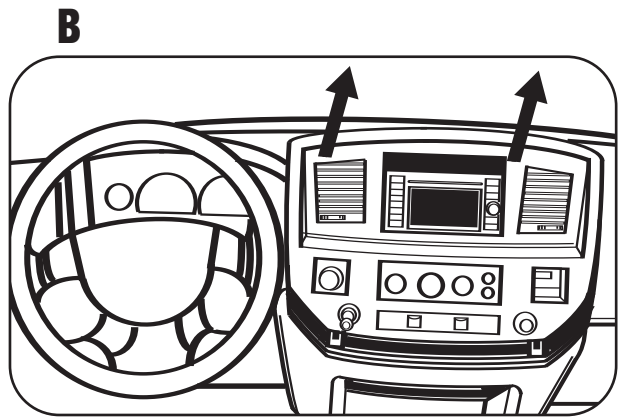
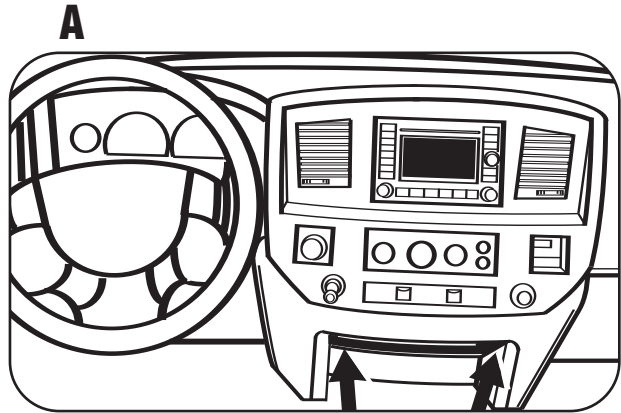
CHRYSLER 300 2005-2007

- 1** Disconnect the negative battery terminal to prevent an accidental short circuit.
- 2** Unclip and remove entire panel surrounding radio and climate controls, including a/c vents and clock. **(Figure A)**
- 3** Remove (4) 7MM screws securing radio. Unplug and remove radio. **(Figure B)**
- 4** Continue to kit assembly.

A**B**

DODGE RAM 2006-2008 WITHOUT CENTER CONSOLE

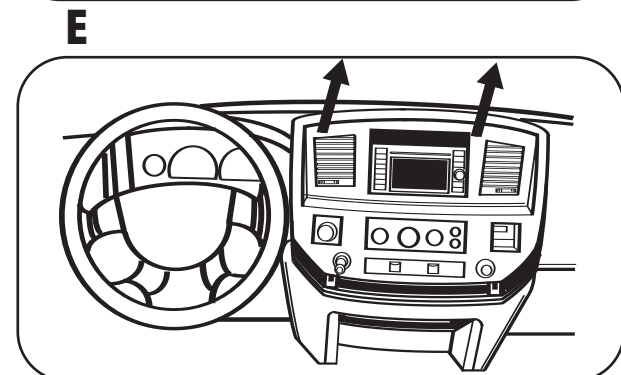
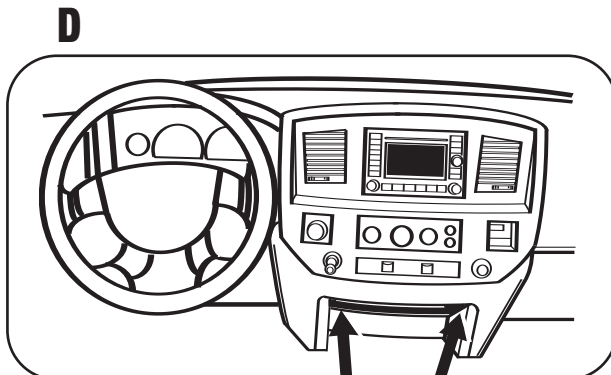
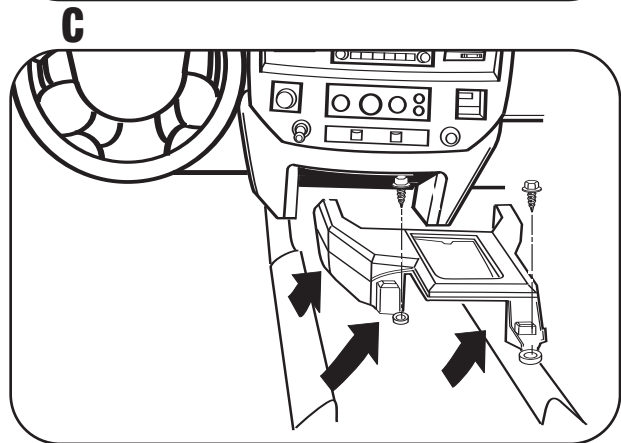
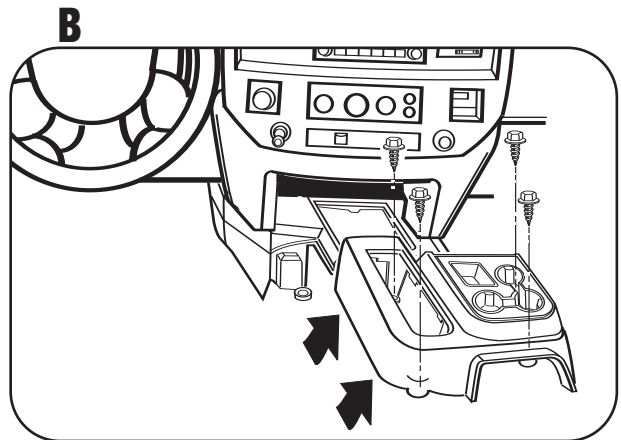
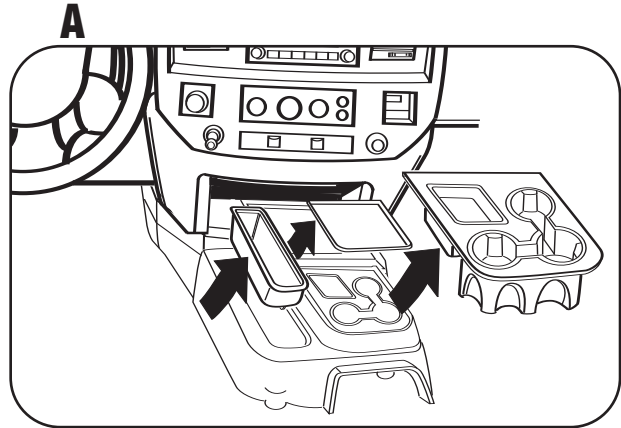
- 1 Disconnect the negative battery terminal to prevent an accidental short circuit.
- 2 Open cup holder and remove (2) Phillips screws facing up on front edge of radio/climate control panel. **(Figure A)**
- 3 Unclip and remove entire panel surrounding radio and climate controls, including a/c vents. **(Figure B)**
- 4 Remove (4) 7MM screws securing radio. Unplug and remove radio.
- 5 Continue to kit assembly.



DODGE RAM 2006-2008

WITH MINI CENTER CONSOLE

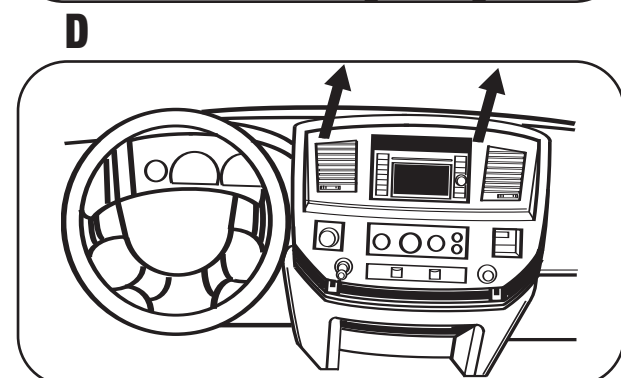
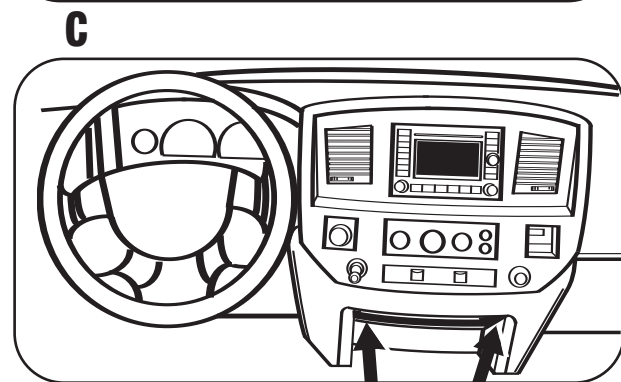
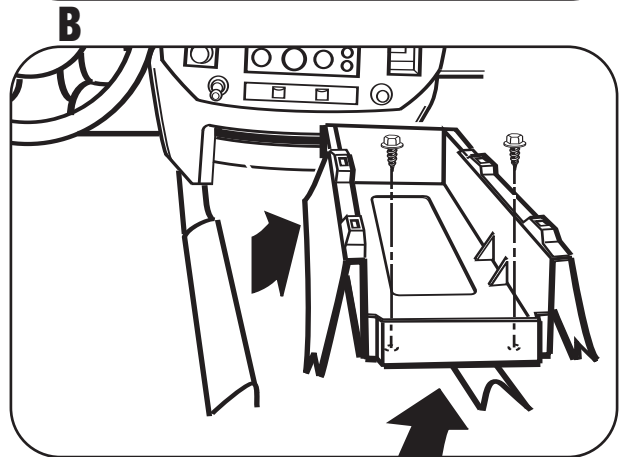
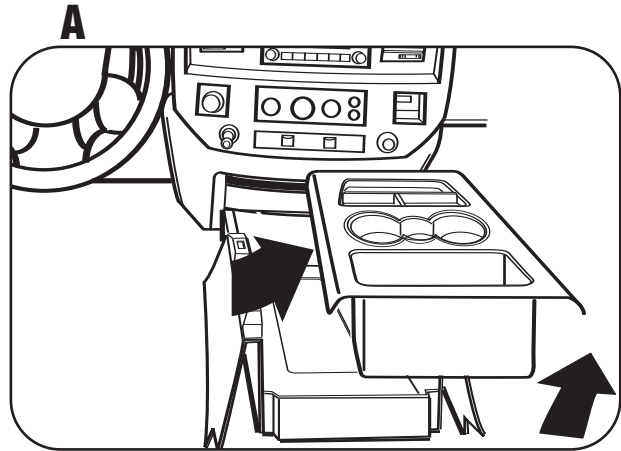
- 1 Disconnect the negative battery terminal to prevent an accidental short circuit.
- 2 If vehicle has floor shifter, remove shifter knob.
- 3 Remove center console inserts, if present. **(Figure A)**
- 4 Remove screws securing the rear center console to the floor panel. Lift up on the rear center console to clear the gear shift lever, if present. **(Figure B)**
- 5 Remove screws securing the front center console to the floor panel. Unclip and remove the front center console. **(Figure C)**
- 6 Remove two phillips head screws at bottom of dash. Unsnap and remove lower panel.
- 7 Remove (2) Phillips screws facing up on front edge of radio/climate control panel. **(Figure D)**
- 8 Unclip and remove entire panel surrounding radio and climate controls, including a/c vents. **(Figure E)**
- 9 Remove (4) 7MM screws securing radio to dash and remove radio.
- 10 Continue to kit assembly.



DODGE RAM 2006-2008

WITH FULL CENTER CONSOLE

- 1** Disconnect the negative battery terminal to prevent an accidental short circuit.
- 2** If vehicle has floor shifter, remove shifter knob.
- 3** Unsnap and remove console front top cover (closest to the dash). **(Figure A)**
- 4** Remove two 8 mm screws from under console cover (previously removed). Remove front section of console. **(Figure B)**
- 5** Loosen two 8 mm screws at bottom of dash. Unsnap lower panel.
- 6** Remove (2) Phillips screws facing up on front edge of radio/climate control panel. **(Figure C)**
- 7** Unclip and remove entire panel surrounding radio and climate controls, including a/c vents. **(Figure D)**
- 8** Remove (4) 7MM screws securing radio to dash and remove radio.
- 9** Continue to kit assembly.

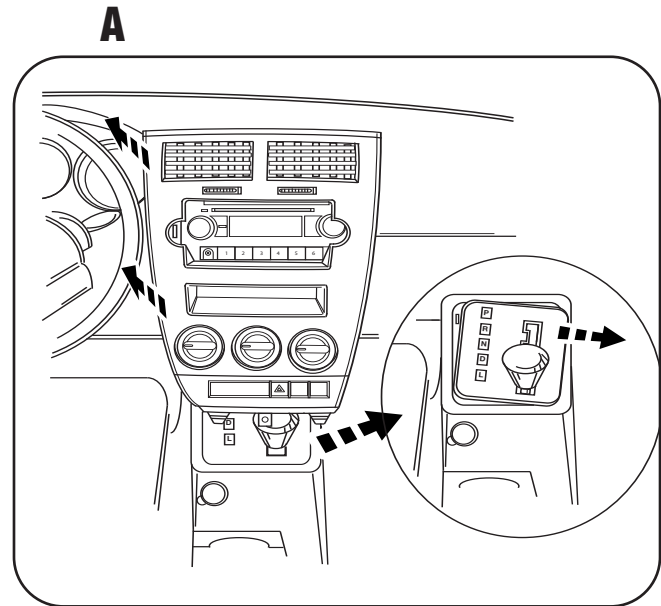


DODGE CALIBER 2007-2008

JEEP COMPASS 2007-2008

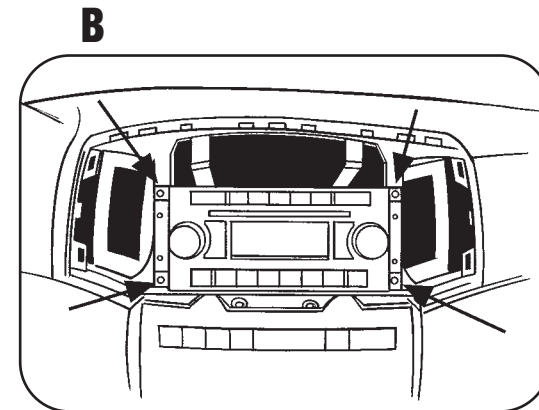
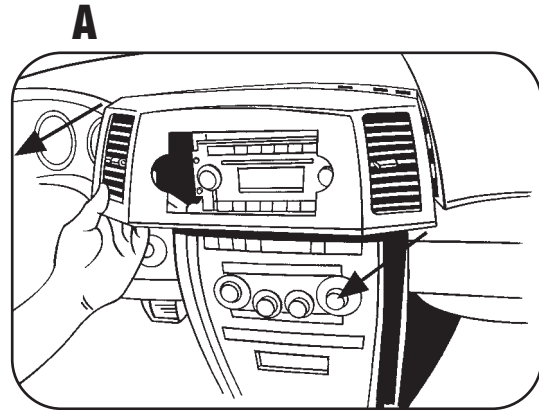
JEEP PATRIOT 2007-2008

- 1** Disconnect the negative battery terminal to prevent an accidental short circuit.
- 2** Unsnap and move shifter trim to the side. **(Figure A)**
- 3** (Compass and Patriot only) Unsnap and remove top center dash panel above AC vents.
- 4** Unsnap center dash trim panel (do not remove until climate controls are removed). **(Figure A)**
- 5** Remove (4) Phillips screws holding climate control panel to backside of the center dash panel.
- 6** Remove (4) 7MM screws securing radio. Unplug and remove radio.
- 7** Continue to kit assembly.



JEEP GRAND CHEROKEE 2005-2007

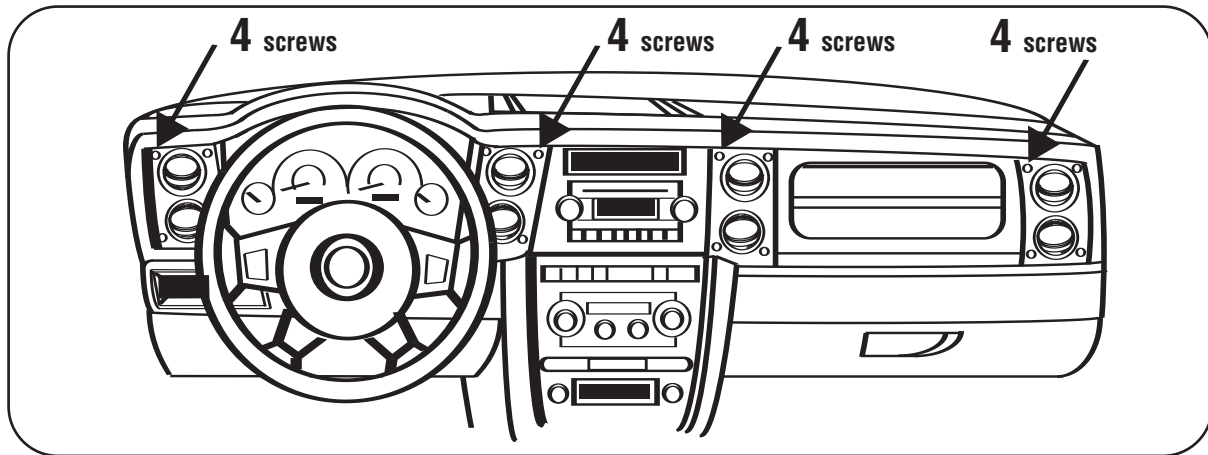
- 1** Disconnect the negative battery terminal to prevent an accidental short circuit.
- 2** Unsnap and remove panel from around radio including the vent on each side. **(Figure A)**
- 3** Remove (4) 7MM screws securing radio. Unplug and remove radio. **(Figure B)**
- 4** Continue to kit assembly.



JEEP COMMANDER 2006-2007

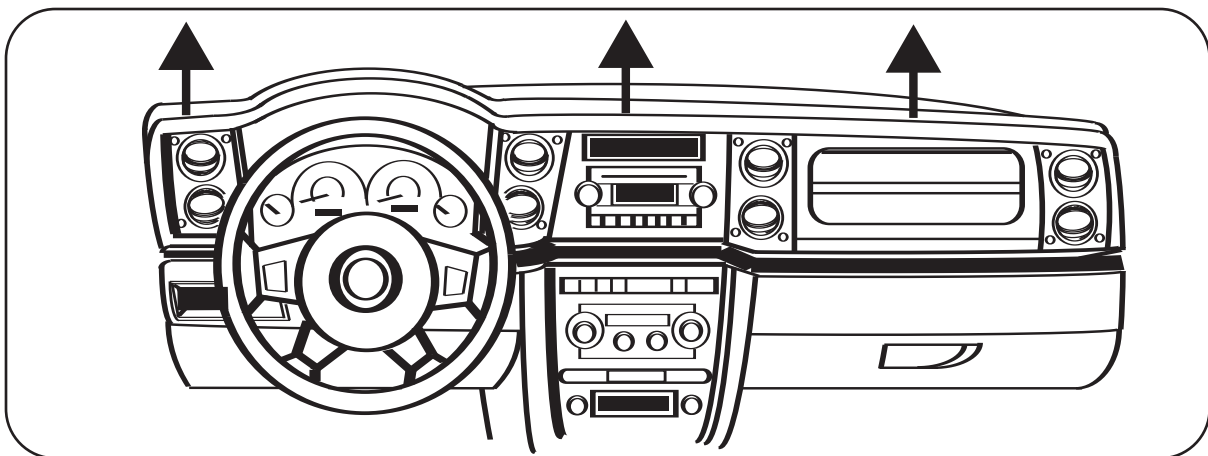
- 1 Disconnect the negative battery terminal to prevent an accidental short circuit.
- 2 Remove the (16) screws securing the radio trim panel. **(Figure A)**

A



- 3 Unclip and remove the entire radio trim panel. **(Figure B)**

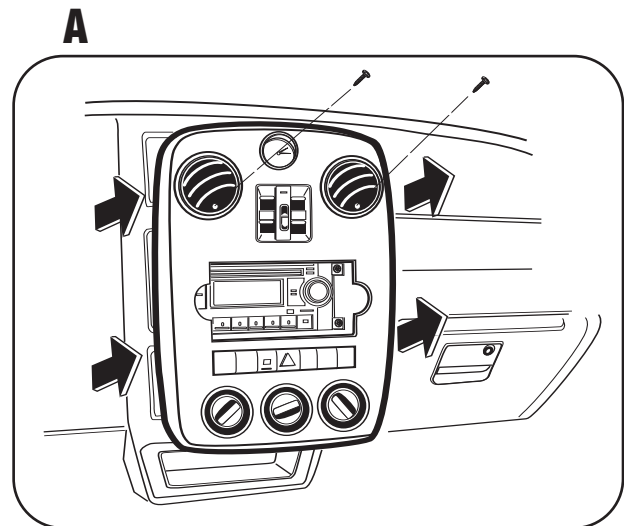
B



- 4 Remove (4) 7MM screws securing radio. Unplug and remove radio.
- 5 Continue to kit assembly.

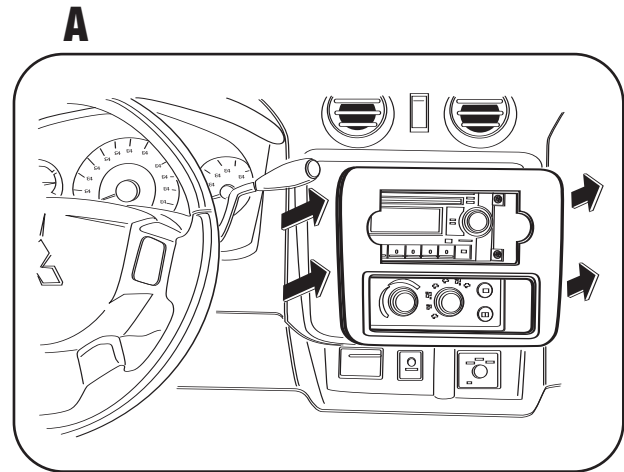
CHRYSLER PT CRUISER 2006-2009

- 1** Disconnect the negative battery terminal to prevent an accidental short circuit.
- 2** Remove (2) screws from inside air vents on center dash panel. **(Figure A)**
- 3** Unsnap center dash panel (do not remove until climate controls are removed). **(Figure A)**
- 4** Remove (4) Phillips screws holding climate control panel to backside of the center dash panel.
- 5** Remove (4) 7MM screws securing radio. Unplug and remove radio.
- 6** Continue to kit assembly.



MITSUBISHI RAIDER 2006-2007

- 1** Disconnect the negative battery terminal to prevent an accidental short circuit.
- 2** Unsnap and remove center dash panel.
(Figure A)
- 3** Remove (4) 7MM screws securing radio. Unplug and remove radio.
- 4** Continue to kit assembly.



DIN RADIO PROVISION WITH POCKET

NOTE: You will need to remove the aftermarket radio's trim ring if equipped.

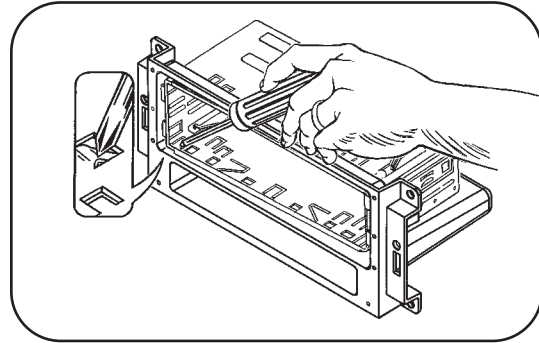
- 1 Slide the DIN cage into the Radio Housing and secure by bending the metal locking tabs down. **(Figure A)**

- 2 Slide the after-market head unit into the cage and secure. **(Figure B)**

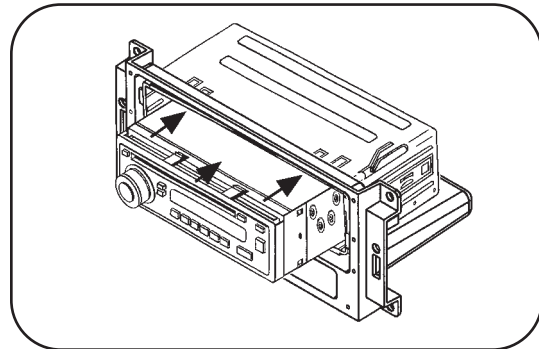
- 3 Using the alignment pins on the trim plates & the corresponding holes in the housing, attach the upper trim plate and the lower trim plate supplied with the kit. **Figure C**

- 4 Continue to Final Assembly.

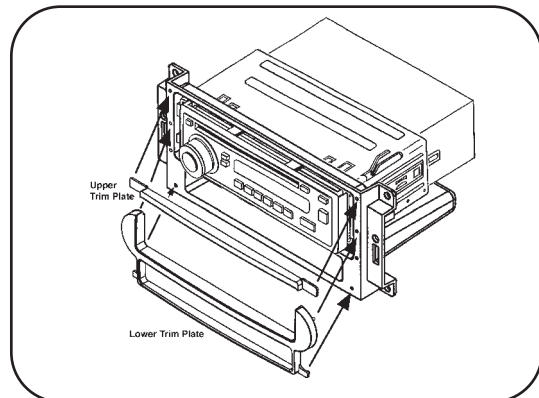
A



B



C



ISO RADIO PROVISION WITH POCKET

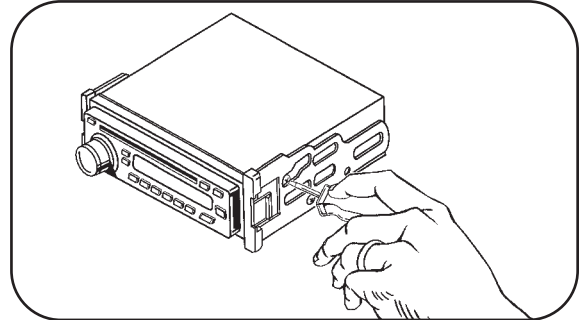
NOTE: You will need to remove the aftermarket radio's trim ring if equipped.

- 1** Mount the ISO Brackets to the radio using the screws supplied with the radio. **Figure A**
- 2** Slide the radio into the opening until it snaps into place. **Figure B**
- 3** Using the alignment pins on the trim plates & the corresponding holes in the housing, attach the upper trim plate and the lower trim plate supplied with the kit.

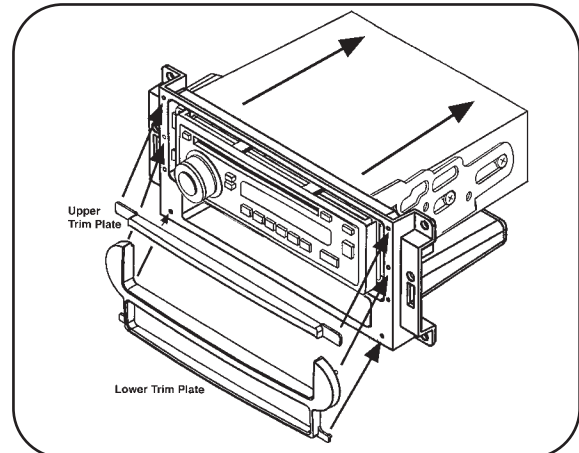
Figure B

- 4** Continue to Final Assembly.

A

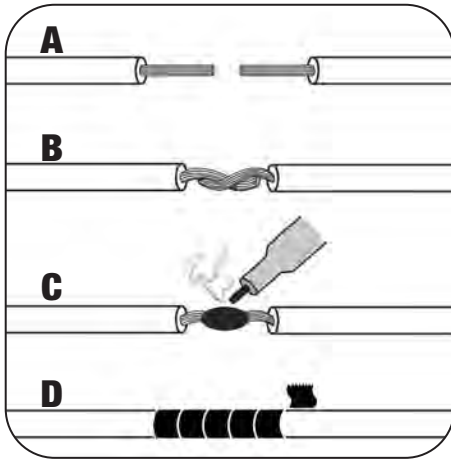


B





FINAL ASSEMBLY



- A) Strip wire ends back 1/2"**
- B) Twist ends together**
- C) Solder**
- D) Tape**

- 1** Locate the factory wiring harness in the dash. Metra recommends using the proper mating adapter and making connections as shown. (Isolate and individually tape off the ends of any unused wires to prevent electrical short circuit.)
- 2** Secure the kit into the sub dash using the (4) 7mm screws that secured the factory radio.
- 3** Re-connect the negative battery terminal and test the unit for proper operation.
- 4** Reassemble radio and dash assemblies in reverse order of disassembly.

FINAL WIRING CONNECTIONS

Make wiring connections using the EIA color code chart shown below and the instructions included with the head unit. Metra recommends making connections as shown below; Strip, Splice, Solder, Tape. Isolate and individually tape off ends of any unused wires to prevent electrical short circuit.

METRA / EIA WIRING CODE

12V Ignition / Acc . . . Red	Dimmer Orange / White
12V Batt / Memory . . Yellow	Right Front (+) White
Ground Black*	Left Front (-) White / Black
Power Antenna Blue	Right Rear (+) Violet
Amp Turn-On Blue / White	Right Rear (-) Violet / Black
Amp Ground Black / White	Left Rear (+) Green
Illumination Orange	Left Rear (-) Green / Black

***NOTE:** When Black a wire is not present, ground radio to vehicle chassis.
All colors may not be present on all leads due to manufacturer's specifications.



1-800-221-0932



www.metraonline.com