



INSTALLATION INSTRUCTIONS FOR PART 99-6509

APPLICATIONS

Dodge Sprinter 2003-2006

99-6509

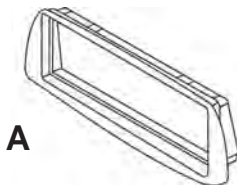


KIT FEATURES

- DIN head unit provision

KIT COMPONENTS

A) Trim Plate



WIRING AND ANTENNA CONNECTIONS (Sold Separately)

WIRING HARNESS:

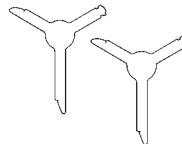
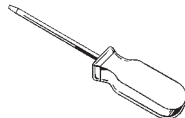
- 70-9401 - Mercedes/Land Rover/Dodge Harness 1994-up

ANTENNA ADAPTER:

- 40-VW54 - Audi/VW Amplified Antenna Adapter 1997-up

TOOLS REQUIRED:

Flat Blade Screwdriver • 86-9001 Radio Removal Tool



1-800-221-0932



www.metraonline.com

© COPYRIGHT 2004-2009 METRA ELECTRONICS CORPORATION



99-6509

TABLE OF CONTENTS

<i>Dash Disassembly</i>	<i>1</i>
<i>Kit Assembly</i>	<i>2</i>
<i>Final Assembly</i>	<i>3</i>
<i>Notes</i>	<i>4-5</i>

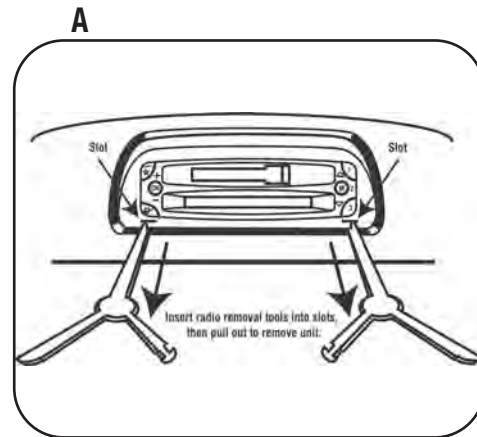


KNOWLEDGE IS POWER

Enhance your installation and fabrication skills by enrolling in the most recognized and respected mobile electronics school in our industry. Log onto www.installerinstitute.com or call 800-354-6782 for more information and take steps toward a better tomorrow.

2005-2006 DODGE SPRINTER

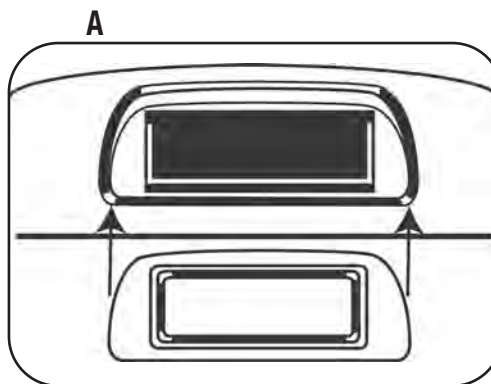
- 1 Disconnect the negative battery terminal to prevent an accidental short circuit.
- 2 Insert the long ends of the 86-9001 into the slots on the factory radio and pull out to remove. (Figure A)



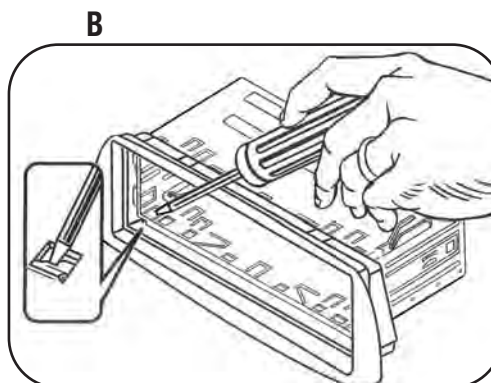
DASH DISASSEMBLY

DIN HEAD UNIT PROVISION

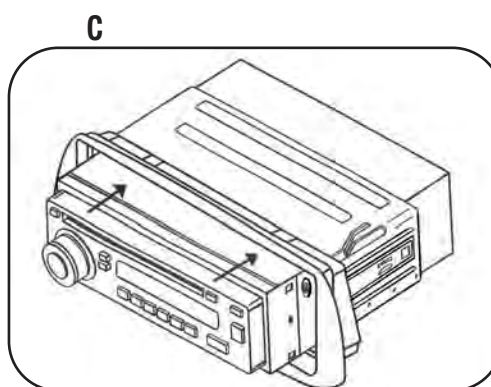
1 Snap the 99-6509 trim plate into the sub-dash opening. (Figure A)

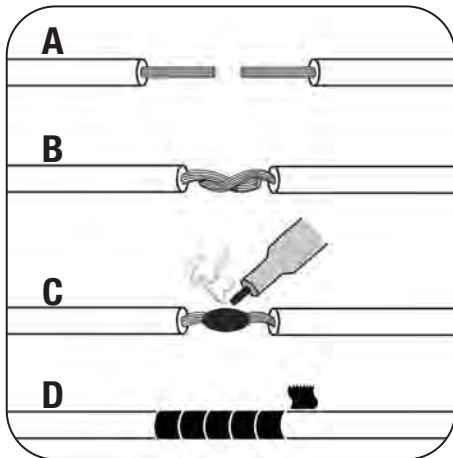


2 Slide the DIN cage into the space in the 99-6509 and secure by bending the metal locking tabs outward. (Figure B)



3 Slide the aftermarket head unit into the DIN cage until secure (Figure C)





A) Strip wire ends back 1/2"

B) Twist ends together

C) Solder

D) Tape

- 1 Locate the factory wiring harness in the dash. Metra recommends using the proper mating adapter and making the connections as shown. (Isolate and individually tape off the ends of any unused wires to prevent electrical short circuit)
- 2 Re-connect the negative battery terminal and test the unit for proper operation.
- 3 Reassemble radio and dash assemblies in reverse order of disassembly.



99-6509

NOTES

99-6509 INSTRUCTIONS



1-800-221-0932



www.metraonline.com

REV. 05/05/09

© COPYRIGHT 2004-2009 METRA ELECTRONICS CORPORATION

INST99-6509