



INSTALLATION INSTRUCTIONS FOR PART 99-7008

APPLICATIONS

2003-2006 Mitsubishi Outlander

99-7008

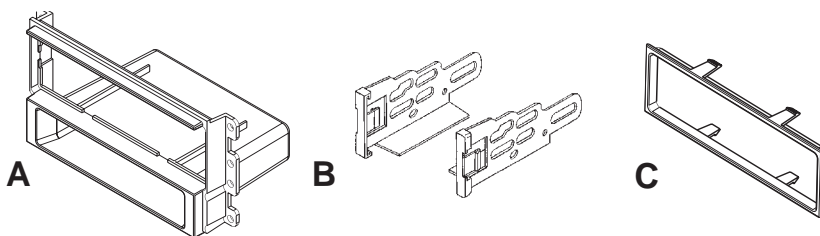
KIT FEATURES

- DIN Radio Provision with pocket
- ISO Radio Provision with pocket



KIT COMPONENTS

A) Radio Housing B) ISO Brackets C) ISO Trim Plate



TOOLS REQUIRED:

Panel Removal Tool or
Small Flat Blade Screwdriver

- Phillips Screwdriver



1-800-221-0932



www.metraonline.com

© COPYRIGHT 2004 METRA ELECTRONICS CORPORATION



TABLE OF CONTENTS

***Dash Disassembly* 1**
2003-2006 Mitsubishi Outlander

Kit Assembly

***Din Mount Radio Provision with pocket*.....2**

***ISO Mount Radio Provision with pocket*.....3**

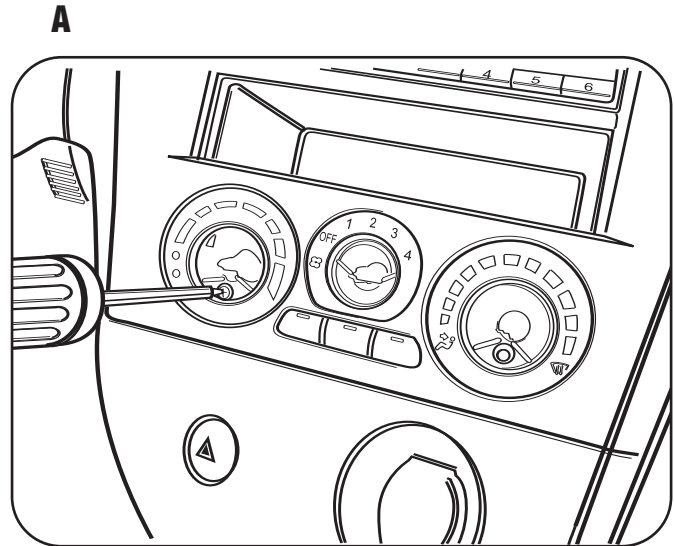
***Final Assembly* 4**

MITSUBISHI OUTLANDER 2003-2006

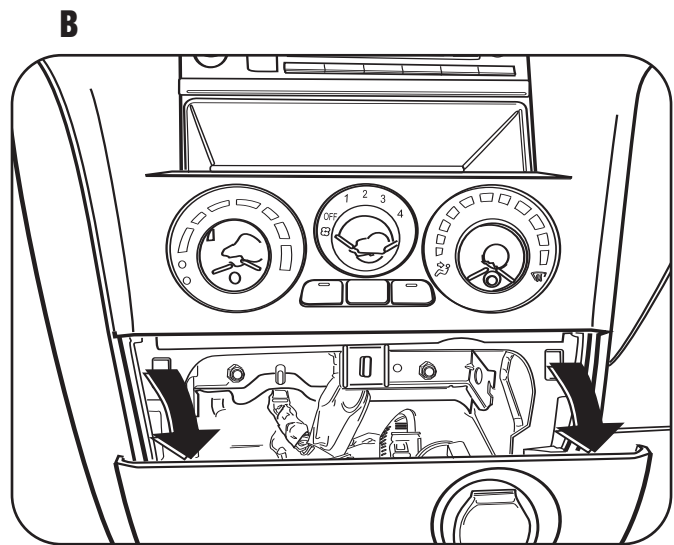
1 Disconnect the negative battery terminal to prevent an accidental short circuit.

2 Remove all (3) climate control knobs. (Figure A)

3 Remove (2) Phillips head screws from behind the (2) outside climate control knobs. (Figure A)

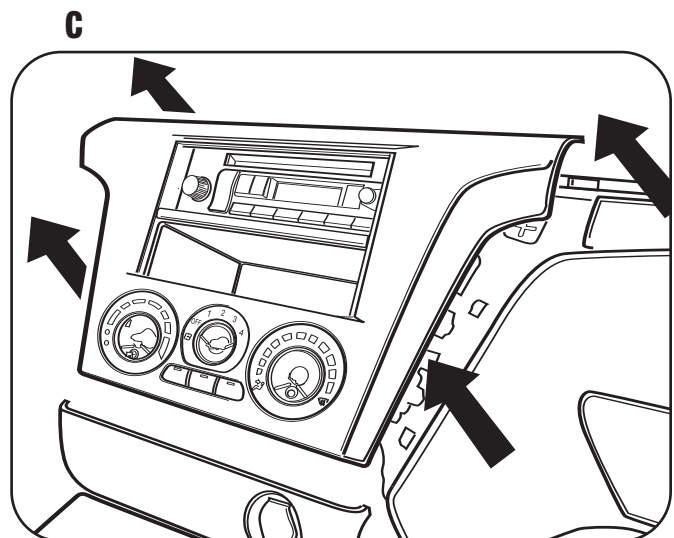


4 Unsnap the top edge of the trim panel below the Climate controls. It is not necessary to completely remove this panel. (Figure B)



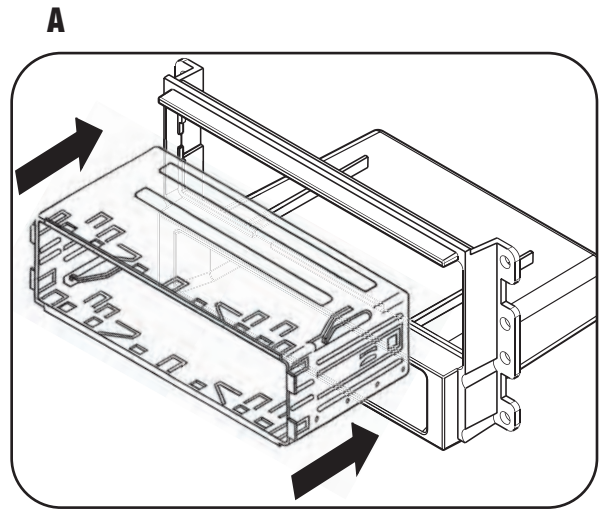
5 Unsnap and remove the radio/climate control trim panel. (Figure C)

6 Remove (4) Phillips head screws securing the radio. Unplug and remove the radio.

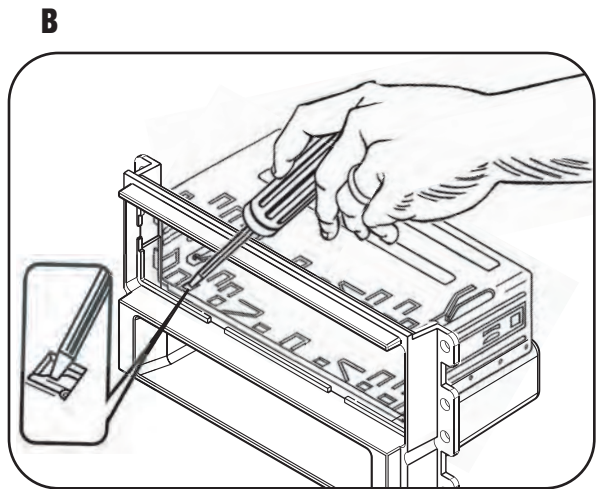


DIN MOUNT RADIO PROVISION WITH POCKET

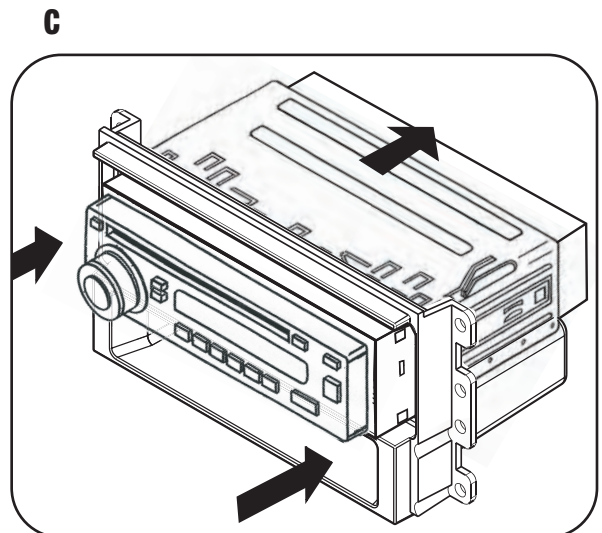
- 1** Slide the DIN cage (supplied with radio) into the Radio Housing from the front. (Figure A)



- 2** Secure DIN cage to radio housing by bending the locking tabs outward. (Figure B)



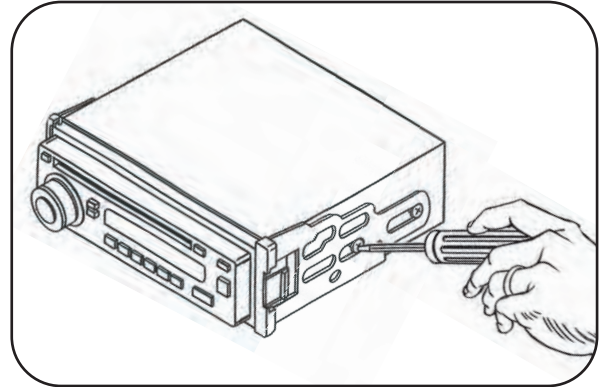
- 3** Slide the radio into the DIN cage until it snaps into place. (Figure C)



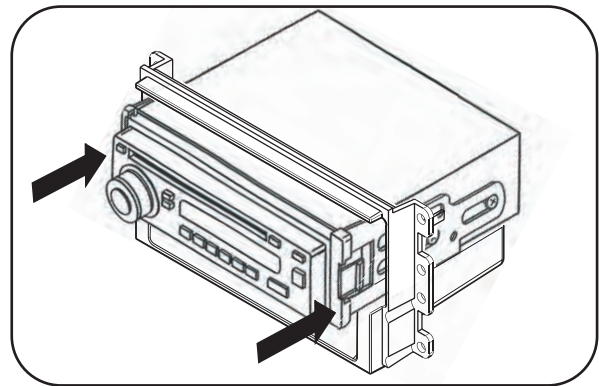
Continue to final assembly.

ISO MOUNT RADIO WITH POCKET

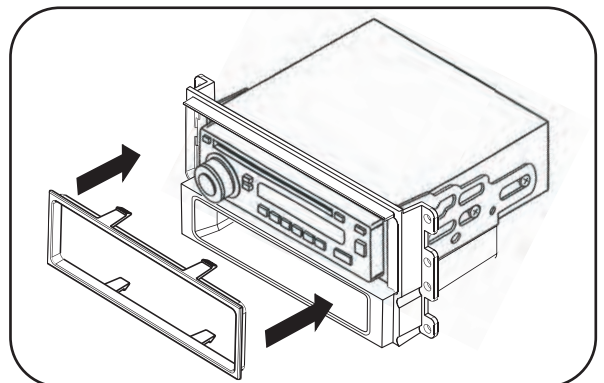
- 1 Align the holes in the ISO brackets with the holes in the radio. Mount the brackets to the radio using screws supplied with the radio. (Figure A)

A

- 2 Slide the radio/bracket assembly into the radio housing until it snaps into place. (Figure B)

B

- 3 Snap the ISO trim-plate onto the front of the assembled radio and housing. (Figure C)

C

Continue to final assembly.

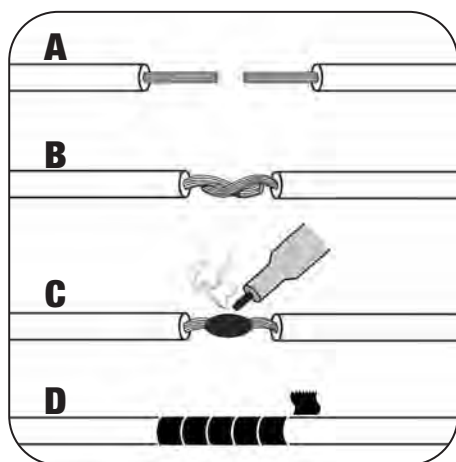
NOTE: To remove the radio unsnap and remove the ISO trim-plate. Using a flat blade screwdriver disengage ISO brackets from the radio housing and slide radio out of radio housing.

FINAL ASSEMBLY

- 1 Locate the factory wiring harness in the dash and make the connection as shown. Metra recommends using the proper mating adapter and making the connections as shown. (Isolate and individually tape off the ends of any unused wires to prevent electrical short circuit.)
- 2 Re-connect the negative battery terminal and test the unit for proper operation.
- 3 Reassemble radio and dash assemblies in reverse order of disassembly.

FINAL WIRING CONNECTIONS

Make wiring connections using the EIA color code chart shown below and the instructions included with the head unit. Metra recommends making connections as shown below; Strip, Splice, Solder, Tape. Isolate and individually tape off ends of any unused wires to prevent electrical short circuit.



- A) Strip wire ends back 1/2"**
- B) Twist ends together**
- C) Solder**
- D) Tape**

METRA / EIA WIRING CODE

12V Ignition / Acc . . . Red	Right Front (+) Gray
12V Batt / Memory . . Yellow	Right Front (-) Gray / Black
Ground Black*	Left Front (+) White
Power Antenna Blue	Left Front (-) White / Black
Amp Turn-On Blue / White	Right Rear (+) Violet
Amp Ground Black / White	Right Rear (-) Violet / Black
Illumination Orange	Left Rear (+) Green
Dimmer Orange / White	Left Rear (-) Green / Black

***NOTE:** When a Black wire is not present, ground radio to vehicle chassis.

All colors may not be present on all leads due to manufacturer's specifications.

99-7008 INSTRUCTIONS



1-800-221-0932



www.metraonline.com

REV. 03/14/06

© COPYRIGHT 2004 METRA ELECTRONICS CORPORATION

INST99-7008