



INSTALLATION INSTRUCTIONS FOR PART 99-7011

APPLICATIONS

MITSUBISHI Lancer 2008-2009

99-7011

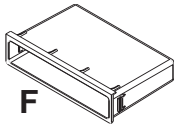
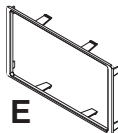
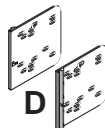
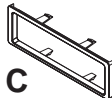
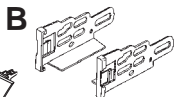
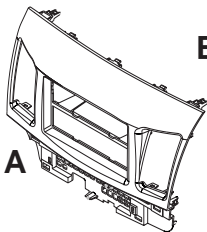
KIT FEATURES

- DIN Radio Provision with Pocket
- ISO Mount Radio Provision with Pocket
- Double DIN Radio Provision
- Stacked ISO Mount Units Provision



KIT COMPONENTS

- A) Radio Housing • B) ISO Brackets • C) Trim Plate • D) Double DIN Brackets
- E) Double DIN Trim Plate • F) Snap in Pocket



WIRING AND ANTENNA CONNECTIONS: (Sold Separately)

Harness:

- MITO-02 - Mitsubishi amp interface harness 2007-up
- 70-7005 - Mitsubishi harness 2007-up

Antenna Adapter:

- No antenna adapter required

TOOLS REQUIRED:

Phillips Screwdriver/ Panel Removal Tool

- Cutting Tool



1-800-221-0932



www.metraonline.com

© COPYRIGHT 2008-2009 METRA ELECTRONICS CORPORATION



TABLE OF CONTENTS

Dash Disassembly

- Mitsubishi Lancer 2008-2009 1,2

Kit Preparation 3

Kit Assembly

- DIN Radio Provision with Pocket 4

- ISO Mount Radio Provision with Pocket. 5

- Double DIN Radio Provision/Stacked ISO Mount Units Provision 6

Final Assembly 7

Note:

Refer also to the instructions included with the aftermarket radio.



KNOWLEDGE IS POWER

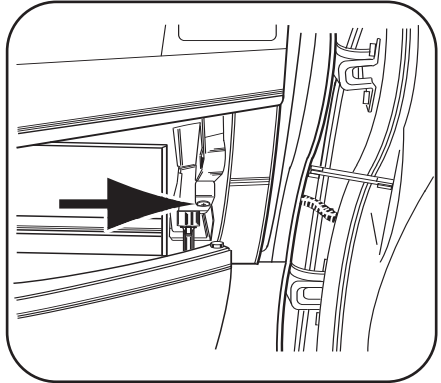
Enhance your installation and fabrication skills by enrolling in the most recognized and respected mobile electronics school in our industry. Log onto www.installerinstitute.com or call 800-354-6782 for more information and take steps toward a better tomorrow.

MITSUBISHI LANCER 2008-2009

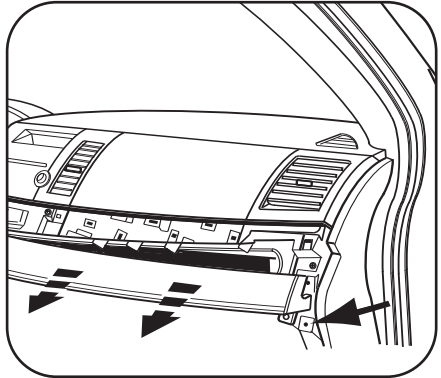
- 1** Disconnect the negative battery terminal to prevent an accidental short circuit.
- 2** Open the glove box and remove (1) Phillips screw from the panel to the right of the glove box door. Unclip and remove the panel. (Figure A)
- 3** Remove (1) Phillips screw from the panel above the glove box then unclip and remove the panel. (Figure B)

Continued on page 2.

A



B



MITSUBISHI LANCER 2008-2009

4 Unclip the radio switch panel including the hazard switch assembly. Unplug hazard switch assembly and remove panel. (Figure C)

5 Remove (4) Phillips screws securing the radio chassis. Unplug and remove chassis.

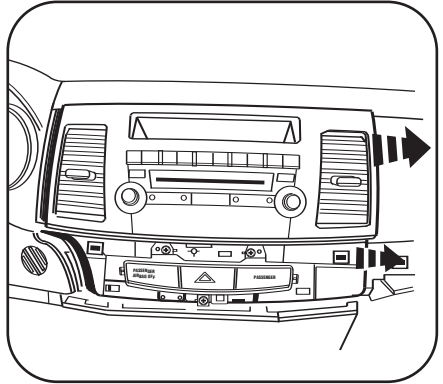
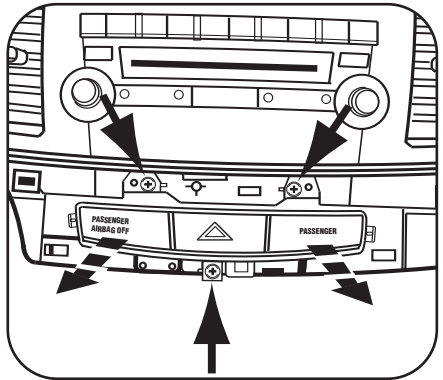
6 Remove (3) Phillips screws securing the hazard switch assembly to the factory radio switch panel. Unclip and remove the switch. (Figure D)

7 Unclip assembly, unplug ribbon cable from assembly and remove assembly from the factory radio panel. Retain screws and hazard switch assembly for re-use during kit preparation.

8 Unclip and remove the a/c vents from the factory radio switch panel. (Retain a/c vents for re-use during kit preparation)

9 Remove and retain (7) factory clips from rear of radio housing for re-use during kit preparation.

Continue to kit preparation.

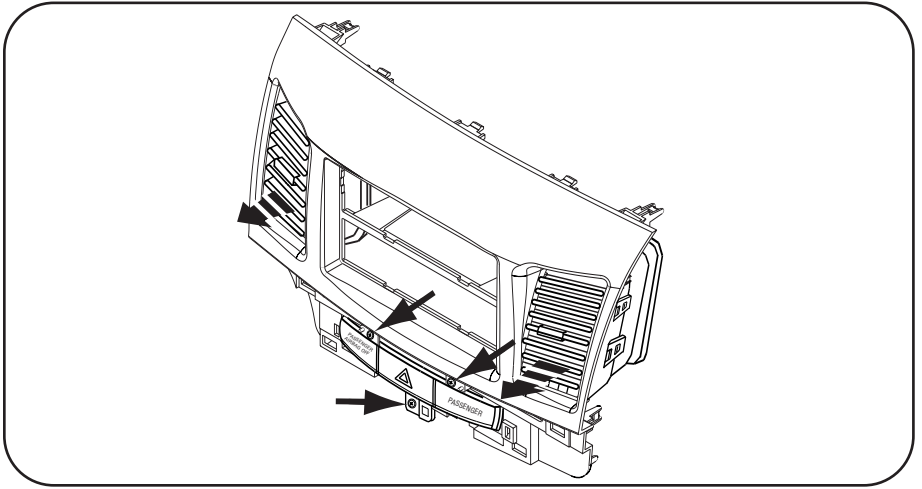
C

D


MITSUBISHI LANCER 2008-2009

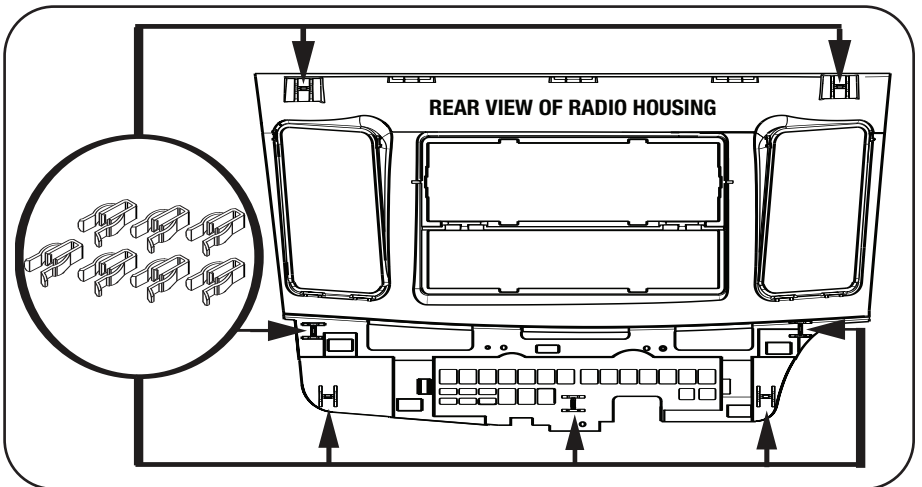
- 1 Secure the hazard switch assembly into the radio housing using the factory hardware. Snap the a/c vents into the radio housing. (Figure A)
- 2 Use the (7) plastic factory clips previously removed during dash disassembly and attach where shown. (Figure B)

Continue to kit assembly

A



B



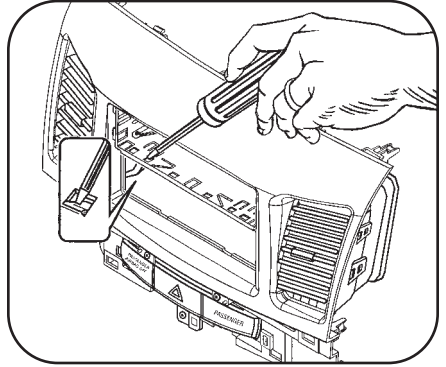
DIN RADIO PROVISION WITH POCKET

**Note: Refer also to the instructions included with the aftermarket radio.*

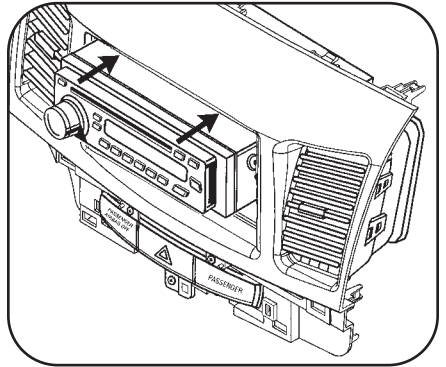
- 1 Slide the DIN cage into the Radio Housing and secure by bending the metal locking tabs outward. (Figure A)
- 2 Slide the aftermarket radio into the cage until it snaps into place. (Figure B)
- 3 Snap the pocket into the radio housing. (Figure C)

Continue to final assembly.

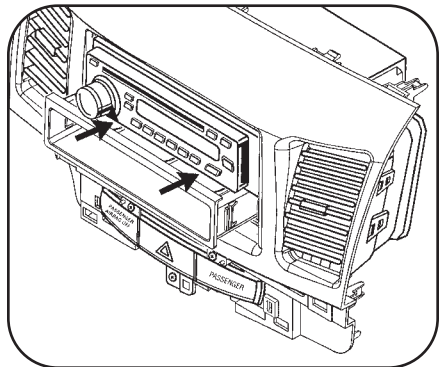
A



B



C

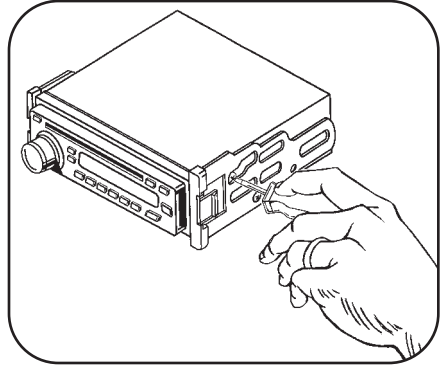
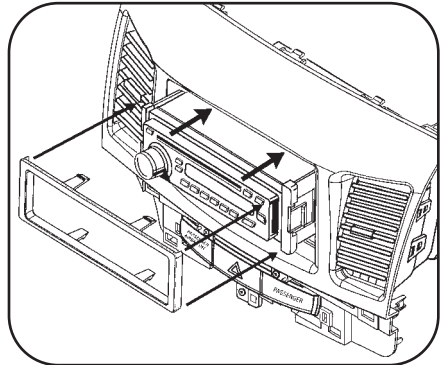
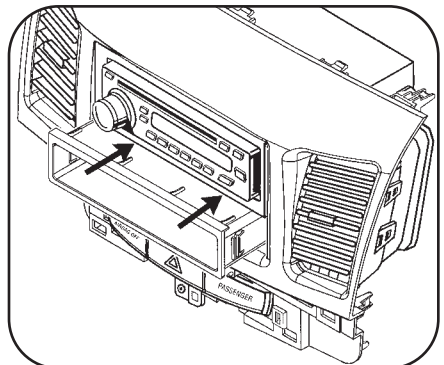


ISO MOUNT RADIO PROVISION WITH POCKET

**Note: Refer also to the instructions included with the aftermarket radio.*

- 1** Mount the ISO Brackets to the radio using the screws supplied with the radio. (Figure A)
- 2** Slide the radio into the radio housing until it snaps into place. (Figure B)
- 3** Snap the trim plate onto the front of the radio housing. (Figure B)
- 4** Snap the Pocket into the radio housing. (Figure C)

Continue to final assembly.

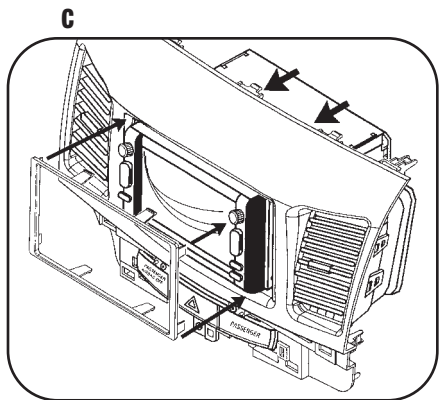
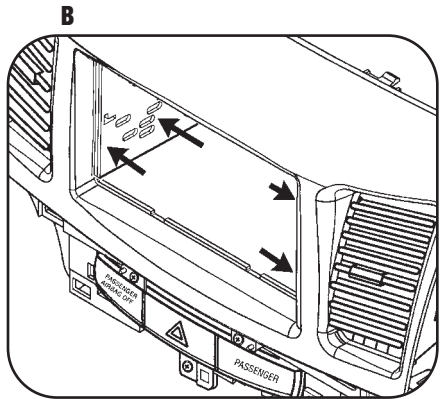
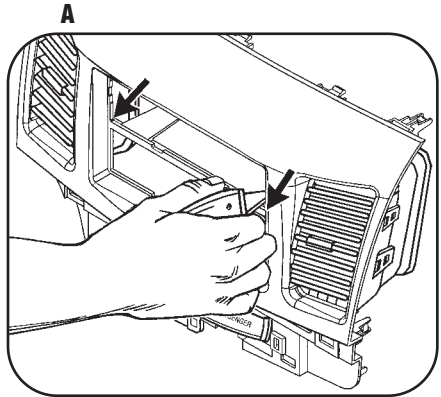
A

B

C


DOUBLE DIN RADIO PROVISION STACKED ISO MOUNT UNITS PROVISION

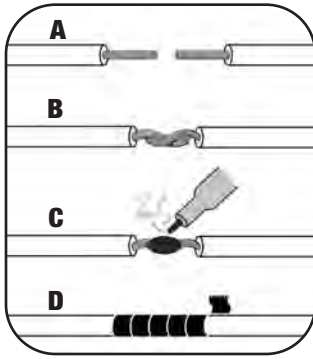
**Note: Refer also to the instructions included with the aftermarket radio.*

- 1 Cut and remove the center bar from the radio housing. (Figure A)
- 2 Snap the Double DIN brackets to the inside edge of the radio housing. (Figure B)
- 3 Slide the Double DIN or stacked ISO mount unit(s) into the bracket/radio housing assembly and secure the unit(s) to the assembly using the screws supplied with the unit(s). (Figure C)
- 4 Snap the Double DIN trim plate onto the front of the radio housing. (Figure C)

Continue to final assembly.



FINAL ASSEMBLY



- (A) Strip wire ends back 1/2"**
- B) Twist ends together**
- C) Solder**
- D) Tape**

- 1** Locate the factory wiring harness in the dash. Metra recommends using the proper mating adapter and making connections as shown. (Isolate and individually tape off the ends of any unused wires to prevent electrical short circuit.)
- 2** Re-connect the negative battery terminal and test the unit for proper operation.
- 3** Reassemble radio and dash assemblies in reverse order of disassembly.

FINAL WIRING CONNECTIONS

Make wiring connections using the EIA color code chart shown below and the instructions included with the head unit. Metra recommends making connections as shown below; Strip, Splice, Solder, Tape. Isolate and individually tape off ends of any unused wires to prevent electrical short circuit.

METRA / EIA WIRING CODE

12V Ignition / Acc. Red	Right Front (+) Gray
12V Batt / Memory. Yellow	Right Front (-). Gray/ Black
Ground. Black*	Left Front (+) White
Power Antenna. Blue	Left Front (-). White / Black
Amp Turn-On Blue / White	Right Rear (+) Violet
Amp Ground. Black / White	Right Rear (-). Violet / Black
Illumination Orange	Left Rear (+) Green
Dimmer Orange / White	Left Rear (-). Green / Black

***NOTE:** When a Black wire is not present, ground radio to vehicle chassis.
All colors may not be present on all leads due to manufacturer's specifications.

99-7011 INSTRUCTIONS



1-800-221-0932



www.metraonline.com

REV. 06/17/09 © COPYRIGHT 2008-2009 METRA ELECTRONICS CORPORATION INST99-7011