



## INSTALLATION INSTRUCTIONS FOR PART 99-7313

### APPLICATIONS

Hyundai

Elantra 2001-2006

Tiburon 2003-2008

Sonata 2002-2005

Kia

Optima 2001-2006.5

*(2006 Early Production Models Only)*

# 99-7313

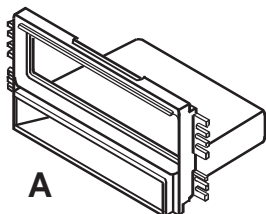
#### KIT FEATURES

- DIN Head Unit Provision with Pocket



#### KIT COMPONENTS

A) Radio Housing



#### WIRING AND ANTENNA CONNECTIONS

(Sold Separately)

Harness:

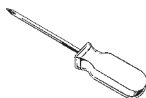
- 70-7301 - KIA / Hyundai harness 1999-08

Antenna Adapter:

- Not required

#### TOOLS REQUIRED:

Phillips Screwdriver



1-800-221-0932



www.metraonline.com

© COPYRIGHT 2004-2009 METRA ELECTRONICS CORPORATION

# **TABLE OF CONTENTS**

## **Dash Disassembly**

- Hyundai Elantra 2001-2006 ..... 1**
- Hyundai Tiburon 2003-2008 ..... 2**
- Hyundai Sonata 2002-2005 ..... 3**
- Kia Optima 2001-2006.5 (2006 Early Production Models Only) ..... 3**

## **Kit Assembly**

- DIN Head Unit Provision with Pocket ..... 4**

- Final Assembly ..... 5**

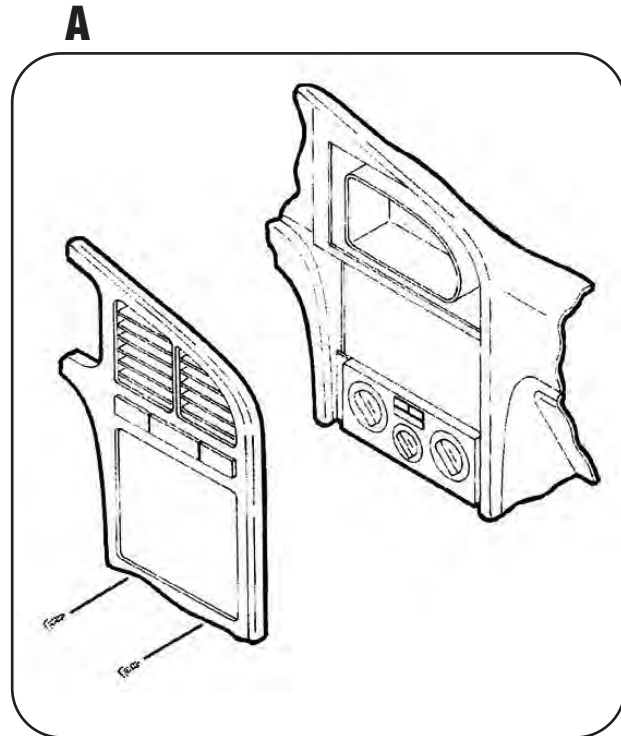


### **KNOWLEDGE IS POWER**

Enhance your installation and fabrication skills by enrolling in the most recognized and respected mobile electronics school in our industry. Log onto [www.installerinstitute.com](http://www.installerinstitute.com) or call 800-354-6782 for more information and take steps toward a better tomorrow.

**2001-2006 HYUNDAI ELANTRA**

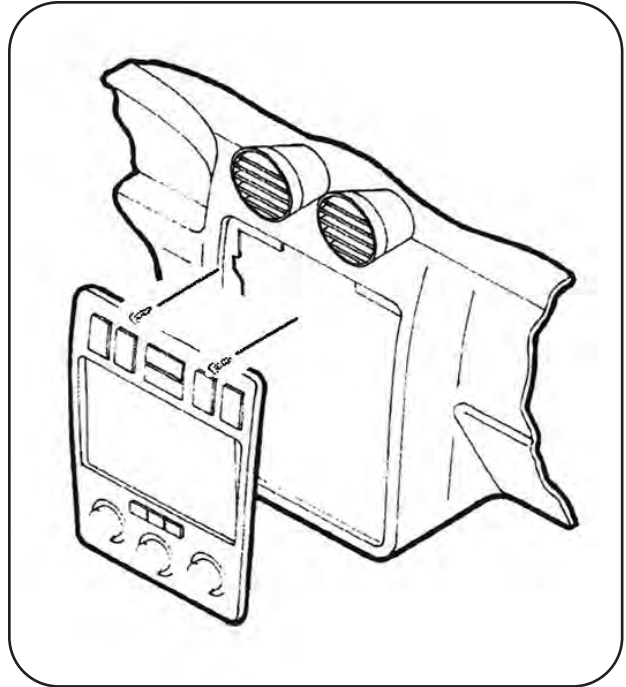
- 1** Disconnect the negative battery terminal to prevent an accidental short circuit.
- 2** Remove (2) Phillips screws from under the instrument cluster.
- 3** Remove ashtray then remove (2) Phillips screws in ashtray cavity.
- 4** Unclip and remove panel surrounding radio and remove the bezel. (Figure A)
- 5** Remove (4) Phillips screws securing radio.



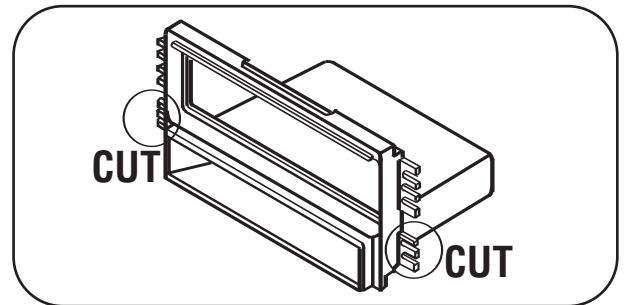
## 2003-2008 HYUNDAI TIBURON

- 1 Disconnect the negative battery terminal to prevent an accidental short circuit.
- 2 Unclip and remove the radio trim panel starting with the bottom edge. (Figure A)
- 3 Remove (2) Phillips screws securing radio.

**A**



**B**



**NOTE:** For the 2003-2008 Hyundai Tiburon applications you will need to cut and remove the bottom mounting tabs on the DDIN brackets. (Figure B)

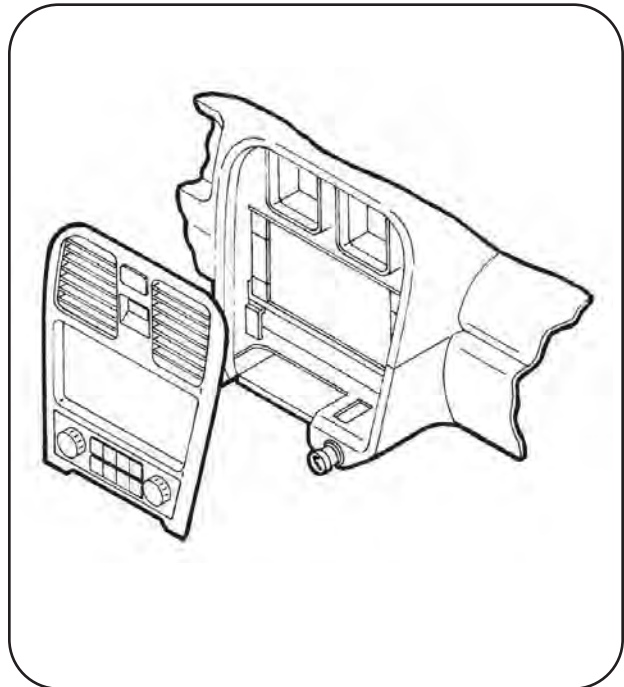
## 2002-2005 HYUNDAI SONATA

## 2001-2006.5 KIA OPTIMA

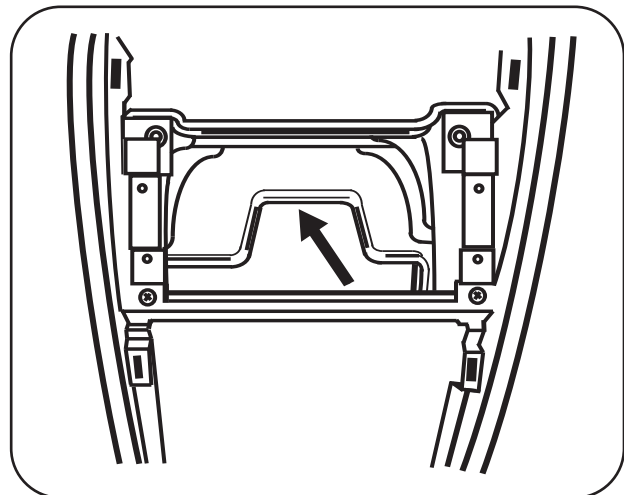
*(2006 OPTIMA EARLY PRODUCTION MODELS ONLY)*

- 1 Disconnect the negative battery terminal to prevent an accidental short circuit.
- 2 Unclip and remove entire panel surrounding radio. (Figure A)
- 3 Remove (4) Phillips screws securing radio.

**A**



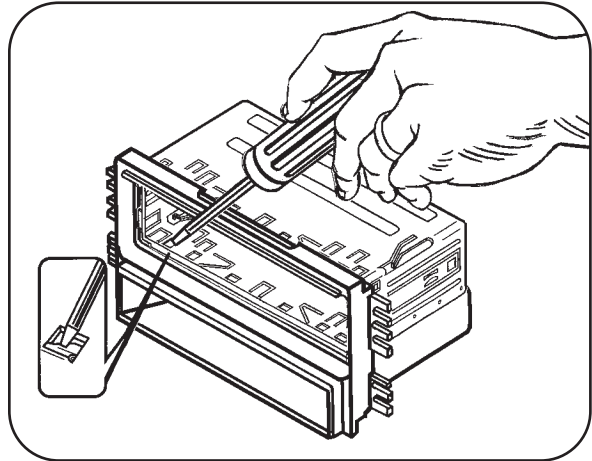
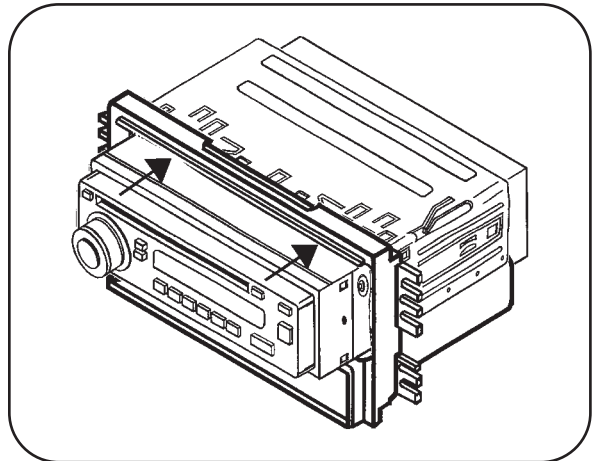
**B**



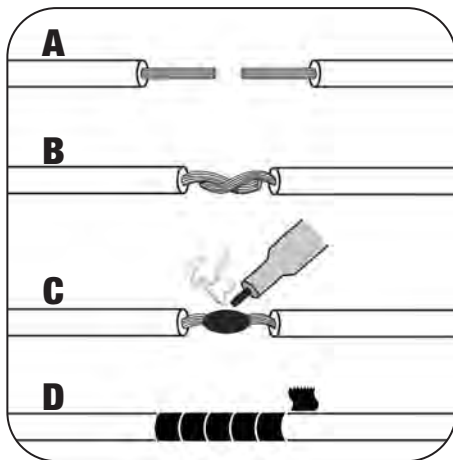
**NOTE:** The rear support bar in the sub dash will need to be cut and removed for aftermarket radio clearance. (Figure B)

**DIN HEAD UNIT PROVISION WITH POCKET**

- 1** Slide the DIN cage into the Radio Housing and secure by bending the metal locking tabs down. (Figure A)
- 2** Slide the aftermarket head unit into the cage until secure. (Figure B)

**A****B**

## FINAL ASSEMBLY



- A) Strip wire ends back 1/2"**
- B) Twist ends together**
- C) Solder**
- D) Tape**

- 1** Locate the factory wiring harness in the dash. Metra recommends using the proper mating adapter and making connections as shown. (Isolate and individually tape off the ends of any unused wires to prevent electrical short circuit.)
- 2** Re-connect the negative battery terminal and test the unit for proper operation.
- 3** Reassemble radio and dash assemblies in reverse order of disassembly.

### FINAL WIRING CONNECTIONS

Make wiring connections using the EIA color code chart shown below and the instructions included with the head unit. Metra recommends making connections as shown below; Strip, Splice, Solder, Tape. Isolate and individually tape off ends of any unused wires to prevent electrical short circuit.

### METRA / EIA WIRING CODE

12V Ignition / Acc . . . Red	Dimmer . . . . . Orange / White
12V Batt / Memory . . Yellow	Right Front (+) . . . . White
Ground . . . . . Black*	Left Front (-) . . . . . White / Black
Power Antenna . . . . Blue	Right Rear (+) . . . . . Violet
Amp Turn-On . . . . . Blue / White	Right Rear (-) . . . . . Violet / Black
Amp Ground . . . . . Black / White	Left Rear (+) . . . . . Green
Illumination . . . . . Orange	Left Rear (-) . . . . . Green / Black

**\*NOTE:** When Black a wire is not present, ground radio to vehicle chassis.

All colors may not be present on all leads due to manufacturer's specifications.

# 99-7313 INSTRUCTIONS



1-800-221-0932



[www.metraonline.com](http://www.metraonline.com)

REV. 06/18/09

© COPYRIGHT 2004-2009

METRA ELECTRONICS CORPORATION

INST99-7313