



## INSTALLATION INSTRUCTIONS FOR PART 99-7317

### APPLICATIONS

# Kia Sportage

## 2005-2009

# 99-7317

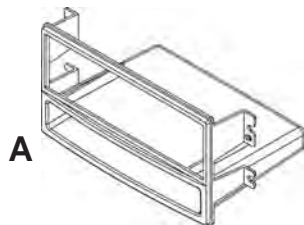


#### KIT FEATURES

- DIN head unit provision

#### KIT COMPONENTS

A) Radio Housing



#### WIRING AND ANTENNA CONNECTIONS (Sold Separately)

##### Harness:

- 70-1004 - KIA 04-up / Hyundai harness 06-up
- 70-7303 - Hyundai / KIA Harness 2009

##### Antenna Adapter:

- 40-KI10 - KIA antenna adapter 2007-up

#### TOOLS REQUIRED:

Small Flat Blade Screwdriver • Phillips Screwdriver



1-800-221-0932



[www.metraonline.com](http://www.metraonline.com)

© COPYRIGHT 2004-2009 METRA ELECTRONICS CORPORATION



# 99-7317

## TABLE OF CONTENTS

<i>Dash Disassembly</i> .....	1
<i>Kit Assembly</i> .....	2
<i>Final Assembly</i> .....	3
<i>Notes</i> .....	4, 5

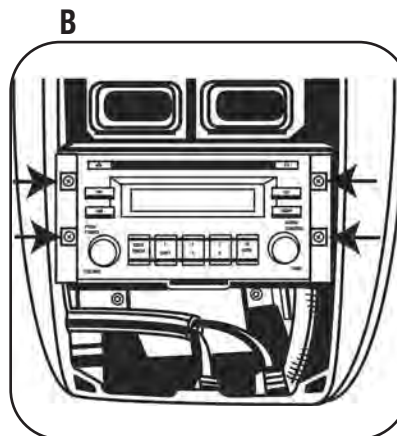
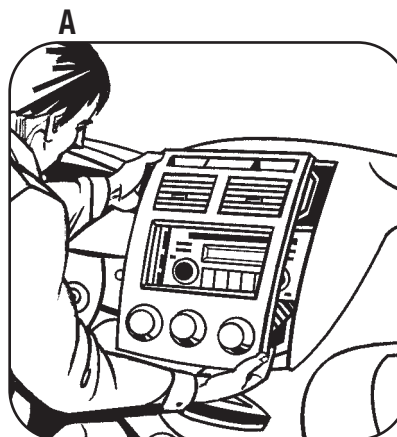


### **KNOWLEDGE IS POWER**

Enhance your installation and fabrication skills by enrolling in the most recognized and respected mobile electronics school in our industry. Log onto [www.installerinstitute.com](http://www.installerinstitute.com) or call 800-354-6782 for more information and take steps toward a better tomorrow.

## 2005-2009 KIA SPORTAGE

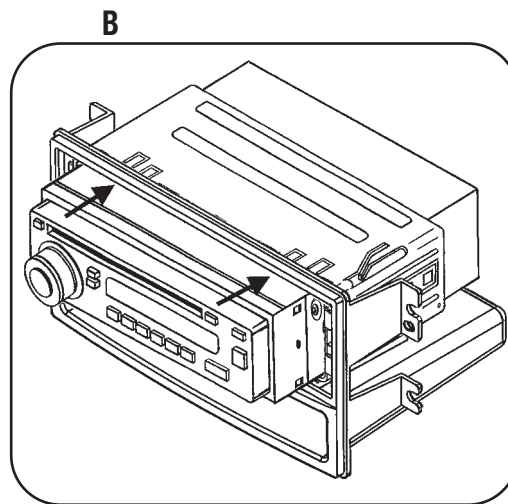
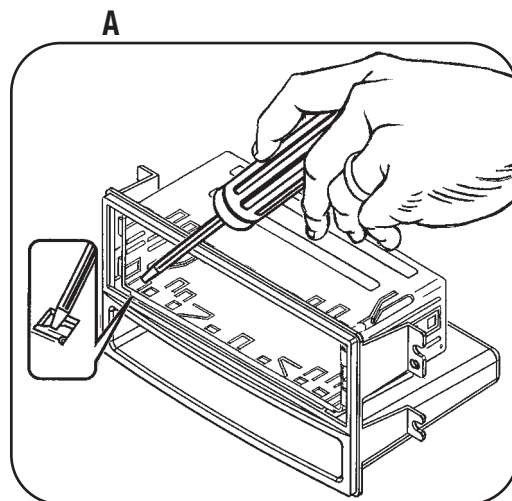
- 1 Disconnect the negative battery terminal to prevent an accidental short circuit.
- 2 Unclip and remove entire panel surrounding radio and including the A/C controls. **Note: Start at bottom of panel.** (Figure A)
- 3 Remove (4) Phillips screws to extract radio from dash. (Figure B)



**DASH DISASSEMBLY**

**DIN HEAD UNIT PROVISION**

- 1 Slide the DIN cage into the radio housing and secure by bending the metal locking tabs down. (Figure A)
- 2 Slide the aftermarket head unit into the cage and secure. (Figure B)

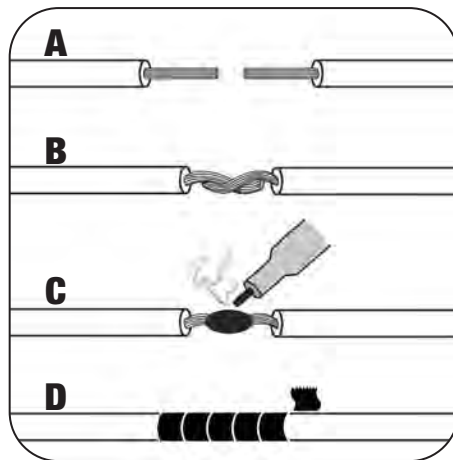


## FINAL ASSEMBLY

- 1 Locate the factory wiring harness in the dash and make the connection as shown. Metra recommends using the proper mating adapter and making the connections as shown. (Isolate and individually tape off the ends of any unused wires to prevent electrical short circuit.)
- 2 Re-connect the negative battery terminal and test the unit for proper operation.
- 3 Reassemble radio and dash assemblies in reverse order of disassembly.

### FINAL WIRING CONNECTIONS

Make wiring connections using the EIA color code chart shown below and the instructions included with the head unit. Metra recommends making connections as shown below; Strip, Splice, Solder, Tape. Isolate and individually tape off ends of any unused wires to prevent electrical short circuit.



- A) Strip wire ends back 1/2"**
- B) Twist ends together**
- C) Solder**
- D) Tape**

### METRA / EIA WIRING CODE

12V Ignition / Acc . . . Red	Right Front (+) . . . . Gray
12V Batt / Memory . . Yellow	Right Front (-) . . . . Gray / Black
Ground . . . . . Black*	Left Front (+) . . . . . White
Power Antenna . . . . Blue	Left Front (-) . . . . . White / Black
Amp Turn-On . . . . . Blue / White	Right Rear (+) . . . . . Violet
Amp Ground . . . . . Black / White	Right Rear (-) . . . . . Violet / Black
Illumination . . . . . Orange	Left Rear (+) . . . . . Green
Dimmer . . . . . Orange / White	Left Rear (-) . . . . . Green / Black

**\*NOTE:** When Black a wire is not present, ground radio to vehicle chassis.

All colors may not be present on all leads due to manufacturer's specifications.





**NOTES**

A series of horizontal lines for taking notes, consisting of 25 lines spaced evenly down the page.

# 99-7317 INSTRUCTIONS



1-800-221-0932



[www.metraonline.com](http://www.metraonline.com)

REV. 06/17/09

© COPYRIGHT 2004-2009 METRA ELECTRONICS CORPORATION

INST99-7317