



## INSTALLATION INSTRUCTIONS FOR PART 99-7318

### APPLICATIONS

# 2005-2006 Kia Spectra 5

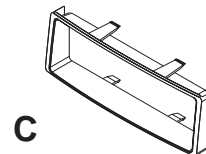
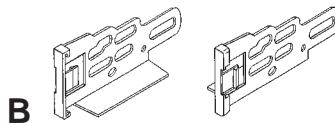
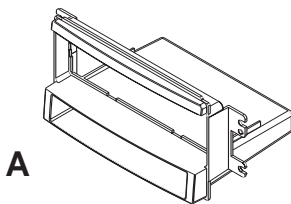
## 99-7318

### KIT FEATURES

- DIN Head Unit Provision
- ISO DIN Head Unit Provision

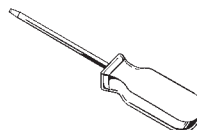
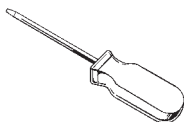
### KIT COMPONENTS

A) Radio Housing | B) ISO Brackets | C) ISO Trim plate



### TOOLS REQUIRED:

Phillips Screwdriver • Small Flat Blade Screwdriver



1-800-221-0932



[www.metraonline.com](http://www.metraonline.com)

© COPYRIGHT 2004-07 METRA ELECTRONICS CORPORATION



# **TABLE OF CONTENTS**

---

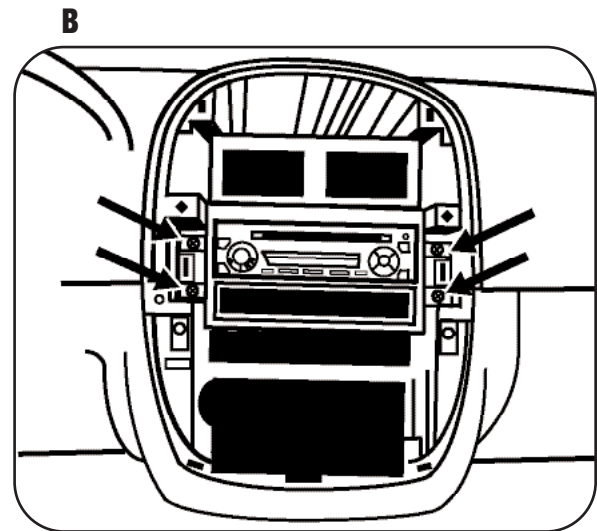
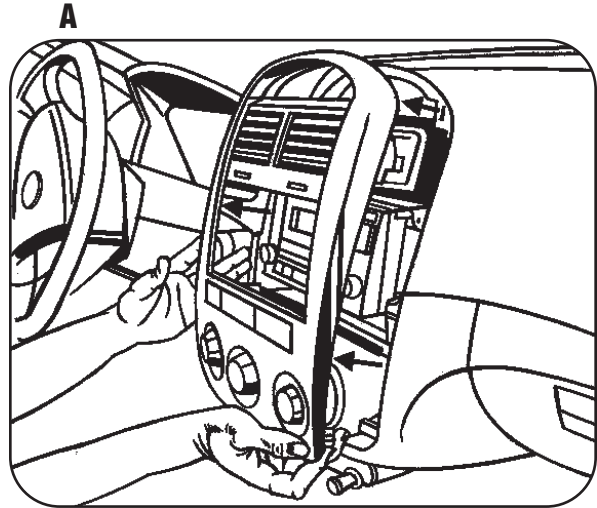
***Dash Disassembly** ..... 1*

***Kit Assembly** ..... 2, 3*

***Final Assembly** ..... 4*

## 2005-2006 KIA SPECTRA 5

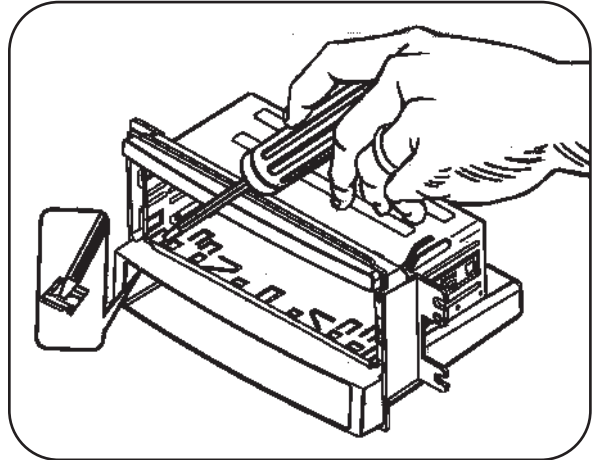
- 1** Disconnect the negative battery terminal to prevent an accidental short circuit.
- 2** Unclip and remove entire panel surrounding radio and including A/C controls. (Figure A)
- 3** Remove (4) Phillips screws to extract radio from dash. (Figure B)



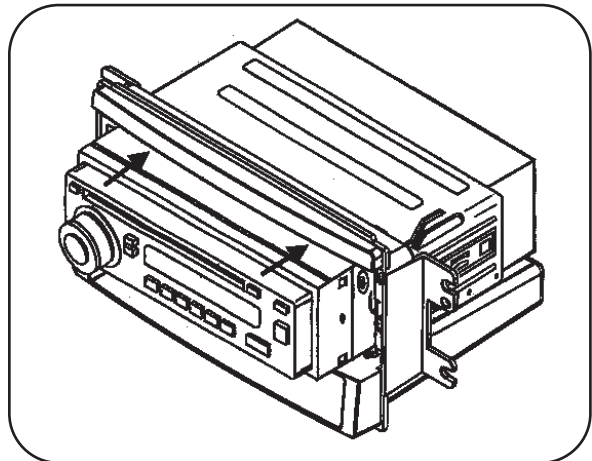
## 2005-2006 KIA SPECTRA 5 DIN HEAD UNIT PROVISION

- 1 Slide the DIN cage into the Radio Housing and secure by bending the metal locking tabs down. (Figure A)
- 2 Slide the aftermarket head unit into the cage and secure. (Figure B)

A

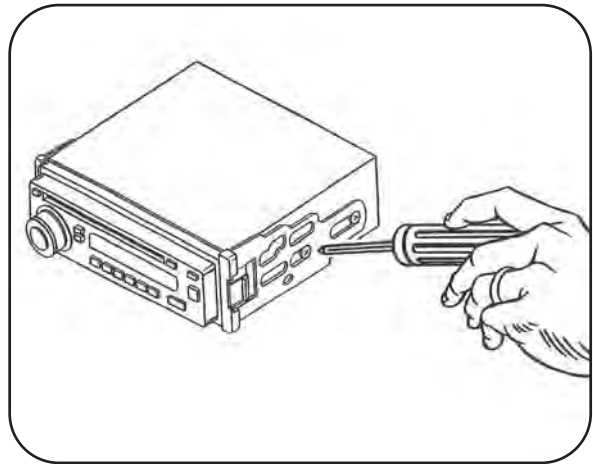
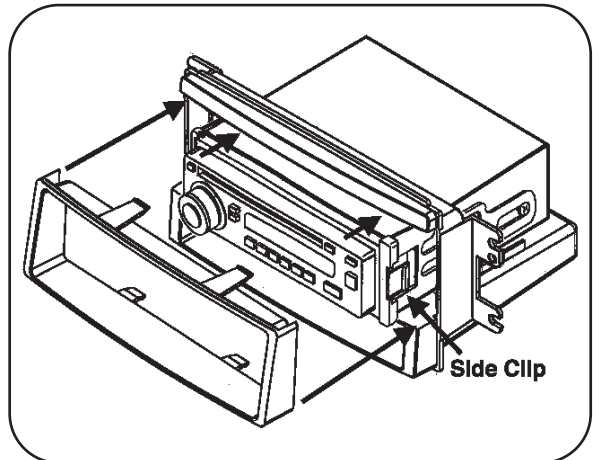


B

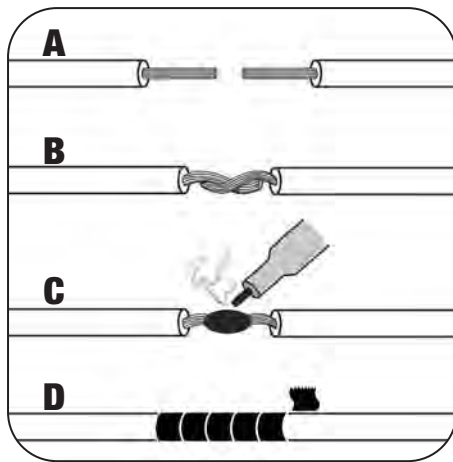


## **2005-2006 KIA SPECTRA 5** **ISO DIN HEAD UNIT PROVISION**

- 1** Mount the ISO bracket to the head unit with screws supplied with the unit. (Figure A)
- 2** Slide the head unit into the radio opening until the side clips engage. (Figure B)
- 3** Snap the trim plate into the radio housing. (Figure B)

**A****B**

## FINAL ASSEMBLY



- A) Strip wire ends back 1/2"**
- B) Twist ends together**
- C) Solder**
- D) Tape**

- 1** Locate the factory wiring harness in the dash. Metra recommends using the proper mating adapter and making connections as shown. (Isolate and individually tape off the ends of any unused wires to prevent electrical short circuit.)
- 2** Re-connect the negative battery terminal and test the unit for proper operation.
- 3** Reassemble radio and dash assemblies in reverse order of disassembly.

### FINAL WIRING CONNECTIONS

Make wiring connections using the EIA color code chart shown below and the instructions included with the head unit. Metra recommends making connections as shown below; Strip, Splice, Solder, Tape. Isolate and individually tape off ends of any unused wires to prevent electrical short circuit.

### METRA / EIA WIRING CODE

|                                    |   |
|------------------------------------|---|
| 12V Ignition / Acc . . . Red       | Right Front (+) . . . . Gray            |
| 12V Batt / Memory . . Yellow       | Right Front (-) . . . . Gray / Black    |
| Ground . . . . . Black*            | Left Front (+) . . . . . White          |
| Power Antenna . . . . . Blue       | Left Front (-) . . . . . White / Black  |
| Amp Turn-On . . . . . Blue / White | Right Rear (+) . . . . . Violet         |
| Amp Ground . . . . . Black / White | Right Rear (-) . . . . . Violet / Black |
| Illumination . . . . . Orange      | Left Rear (+) . . . . . Green           |
| Dimmer . . . . . Orange / White    | Left Rear (-) . . . . . Green / Black   |

**\*NOTE:** When Black a wire is not present, ground radio to vehicle chassis.  
All colors may not be present on all leads due to manufacturer's specifications.



# 99-7318 INSTRUCTIONS



1-800-221-0932



[www.metraonline.com](http://www.metraonline.com)

REV. 08/24/07

© COPYRIGHT 2004-07 METRA ELECTRONICS CORPORATION

INST99-7318