



INSTALLATION INSTRUCTIONS FOR PART 99-7323

APPLICATIONS

Hyundai Entourage 2007-08

Kia Sedona 2006-08

99-7323

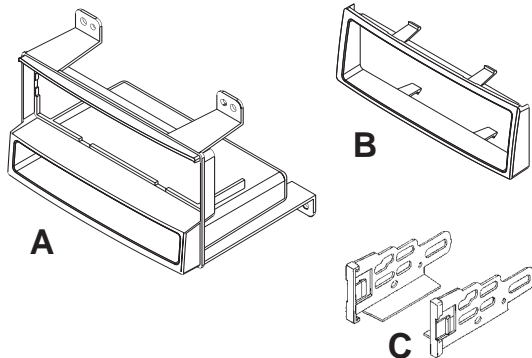
KIT FEATURES

- DIN radio provision with pocket
- ISO radio provision with pocket



KIT COMPONENTS

A) Radio Housing • B) Trim Plate • C) ISO Brackets



WIRING AND ANTENNA CONNECTIONS (Sold Separately)

Harness:

- 70-1004 - Hyundai 2006-up
/KIA harness 2004-up

Antenna Adapter:

- Not required

TOOLS REQUIRED:

Phillips Screwdriver • Small Flat Blade Screwdriver Or Panel Removal Tool



1-800-221-0932



www.metraonline.com

© COPYRIGHT 2004-2009 METRA ELECTRONICS CORPORATION

TABLE OF CONTENTS

Dash Disassembly

- Hyundai Entourage 2007-2008 1
- Kia Sedona 2006-2008 1

Kit Assembly

- DIN Radio Provision with Pocket 2
- ISO Radio Provision with Pocket 3

Final Assembly 4



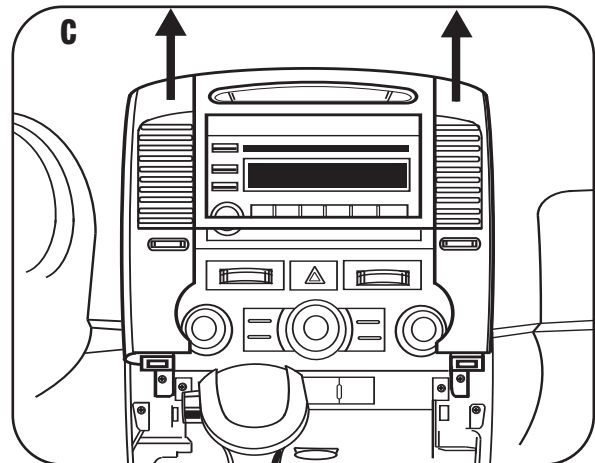
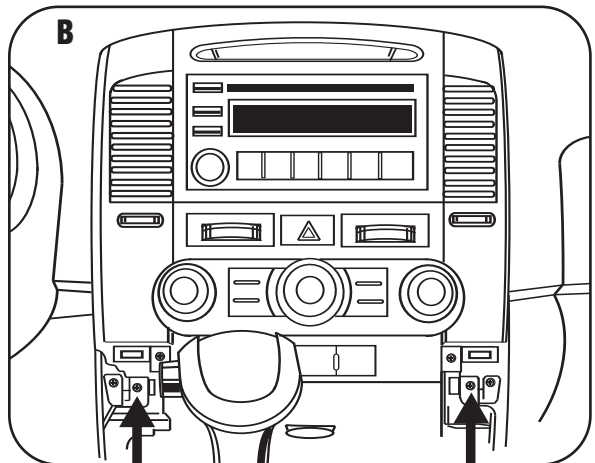
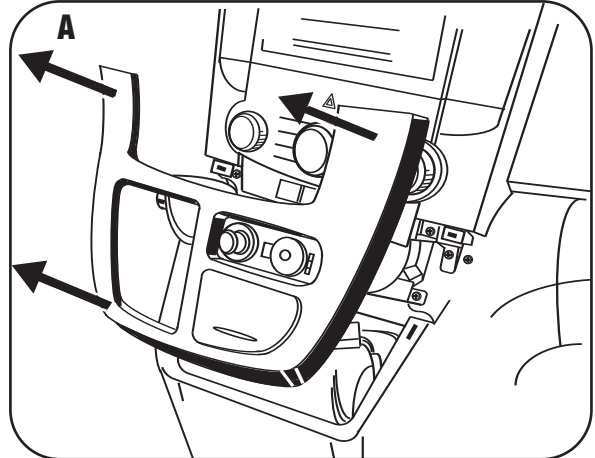
KNOWLEDGE IS POWER

Enhance your installation and fabrication skills by enrolling in the most recognized and respected mobile electronics school in our industry. Log onto www.installerinstitute.com or call 800-354-6782 for more information and take steps toward a better tomorrow.

HYUNDAI ENTOURAGE 2007-2008
KIA SEDONA 2006-2008

- 1 Disconnect the negative battery terminal to prevent an accidental short circuit.
- 2 Unclip and remove panel surrounding shifter. (Figure A)
- 3 Remove (2) Phillips screws at bottom corners of panel surrounding radio. (Figure B)
- 4 Unclip and remove entire panel surrounding radio including the clock and a/c vents. (Figure C)
- 5 Remove (4) Phillips screws securing radio.
- 6 Unplug and remove the radio.

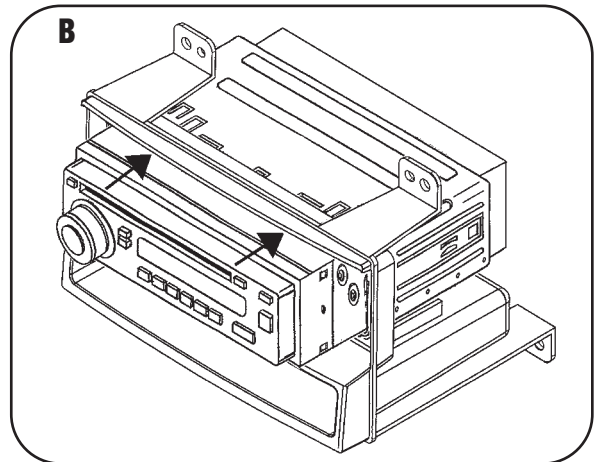
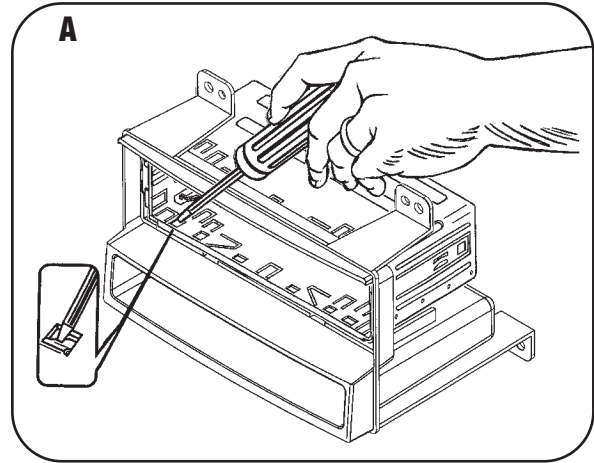
Continue to kit assembly.



DIN RADIO PROVISION WITH POCKET

- 1** Slide the DIN cage into the Radio Housing and secure by bending the metal locking tabs down. (Figure A)
- 2** Slide the aftermarket radio into the cage and secure. (Figure B)

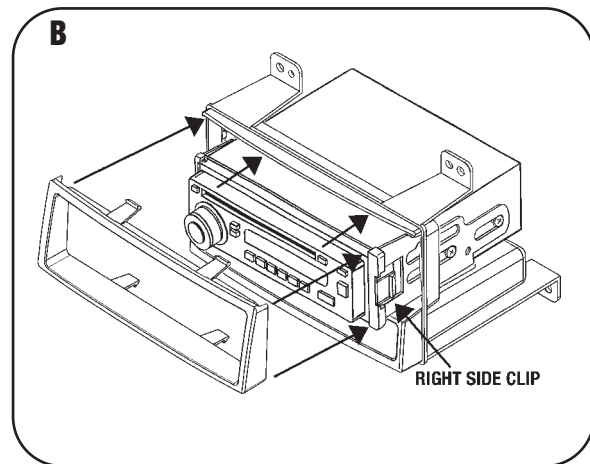
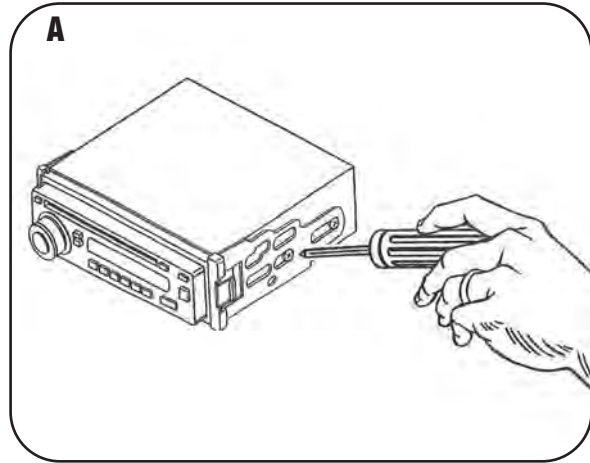
Continue to final assembly.



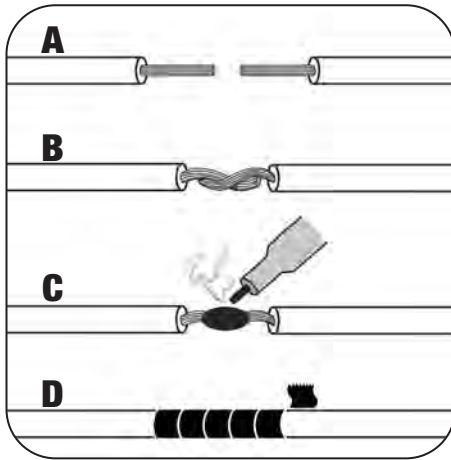
ISO RADIO PROVISION WITH POCKET

- 1** Mount the ISO Brackets to the radio using the screws supplied with the unit. (Figure A)
- 2** Slide the radio into the radio opening until the side clips snap into place. (Figure B)
- 3** Snap the trim plate into the Radio Housing. (Figure B)

Continue to final assembly.



FINAL ASSEMBLY



- A) Strip wire ends back 1/2"**
- B) Twist ends together**
- C) Solder**
- D) Tape**

- 1** Locate the factory wiring harness in the dash. Metra recommends using the proper mating adapter and making connections as shown. (Isolate and individually tape off the ends of any unused wires to prevent electrical short circuit.)
- 2** Re-connect the negative battery terminal and test the unit for proper operation.
- 3** Reassemble in reverse order of disassembly.

FINAL WIRING CONNECTIONS

Make wiring connections using the EIA color code chart shown below and the instructions included with the head unit. Metra recommends making connections as shown below; Strip, Splice, Solder, Tape. Isolate and individually tape off ends of any unused wires to prevent electrical short circuit.

METRA / EIA WIRING CODE

12V Ignition / Acc . . . Red	Right Front (+) Gray
12V Batt / Memory . . Yellow	Right Front (-). Gray/ Black
Ground Black*	Left Front (+) White
Power Antenna Blue	Left Front (-). White / Black
Amp Turn-On Blue / White	Right Rear (+). Violet
Amp Ground Black / White	Right Rear (-) Violet / Black
Illumination. Orange	Left Rear (+). Green
Dimmer Orange / White	Left Rear (-) Green / Black

***NOTE:** When a Black wire is not present, ground radio to vehicle chassis.

All colors may not be present on all leads due to manufacturer's specifications.



NOTES

Lined area for taking notes, consisting of 30 horizontal lines.

99-7323 INSTRUCTIONS



1-800-221-0932



www.metraonline.com

REV. 06/22/09

© COPYRIGHT 2004-2009 METRA ELECTRONICS CORPORATION

INST99-7323