



INSTALLATION INSTRUCTIONS FOR PART 99-73365

APPLICATIONS HYUNDAI GENESIS COUPE 2010 (WITH AUTO CLIMATE CONTROLS)

99-73365

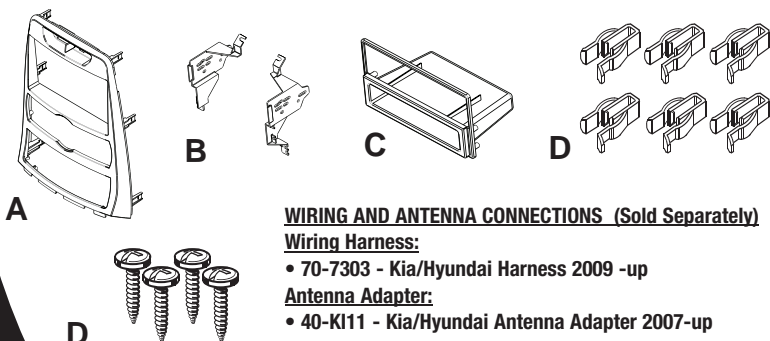
KIT FEATURES

- ISO Head Unit Provision with Pocket
- Painted Silver to match factory finish



KIT COMPONENTS

A) Trim Panel B) ISO Brackets C) Pocket D) (6) PC-7503 Panel Clips E) (4) 3/8" Phillips Screws



WIRING AND ANTENNA CONNECTIONS (Sold Separately)

Wiring Harness:

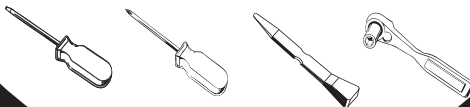
- 70-7303 - Kia/Hyundai Harness 2009 -up

Antenna Adapter:

- 40-KI11 - Kia/Hyundai Antenna Adapter 2007-up

TOOLS REQUIRED:

- Small Flat Blade Screwdriver
- Phillips Screwdriver
- Panel Removal Tool
- Socket Wrench



METRA. THE WORLD'S BEST KITS.™



1-800-221-0932



www.metraonline.com

© COPYRIGHT 2007-2009 METRA ELECTRONICS CORPORATION



TABLE OF CONTENTS

Dash Disassembly

- Hyundai Genesis Coupe 2010 1

Kit Preparation

- Hyundai Genesis Coupe 2010 2

Kit Assembly

- ISO DIN Head Unit Provision 3

***Note:**

Refer also to the instructions included with the aftermarket radio.



KNOWLEDGE IS POWER

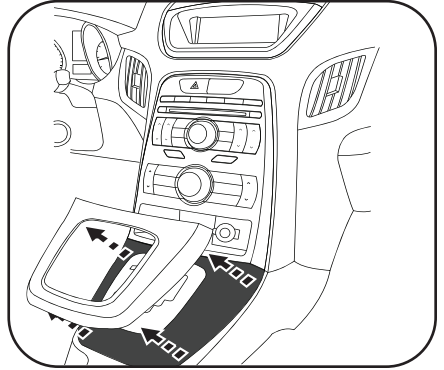
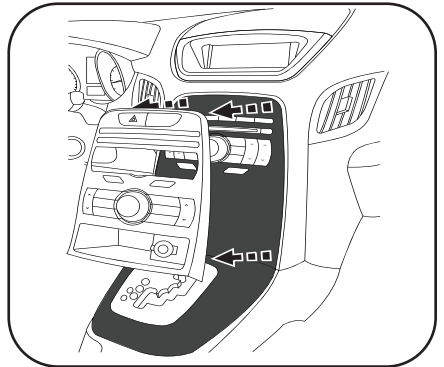
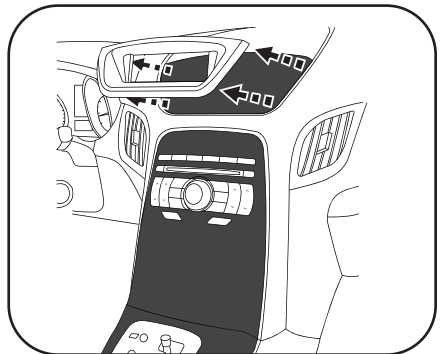
Enhance your installation and fabrication skills by enrolling in the most recognized and respected mobile electronics school in our industry. Log onto www.installerinstitute.com or call 800-354-6782 for more information and take steps toward a better tomorrow.



Metra recommends MECP certified technicians.

HYUNDAI GENESIS COUPE 2010

- 1 Disconnect the negative battery terminal to prevent an accidental short circuit.
- 2 Unclip and remove the shifter trim panel. (Figure A)
- 3 Unclip and remove the radio/climate control trim panel. (Figure B)
- 4 Unclip and remove the display trim panel above radio. (Figure C)
- 5 Remove (4) Phillips screws securing the radio.
- 6 Remove (4) Phillips screws securing the climate control to the factory trim panel.

A**B****C**

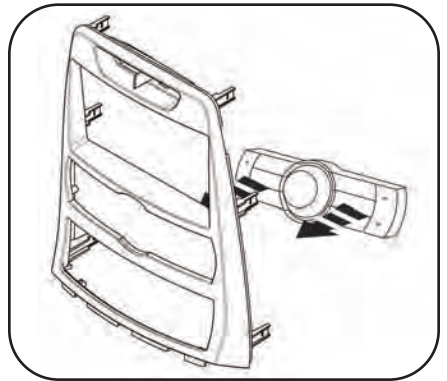


KIT PREPARATION

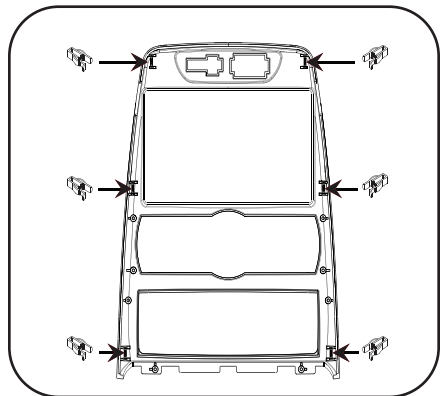
HYUNDAI GENESIS COUPE 2010

- 1** Attach the climate control to the 95-7336S trim plate using the factory hardware. (Figure A)
- 2** Attach the (6) panel clips to the 95-7336S trim plate. (Figure B)

A



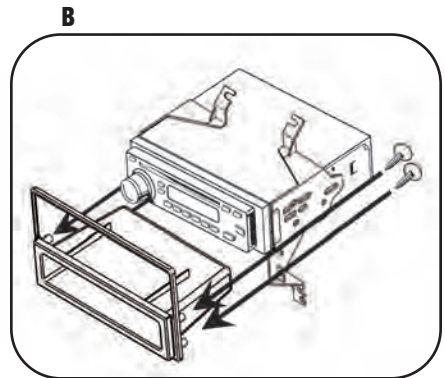
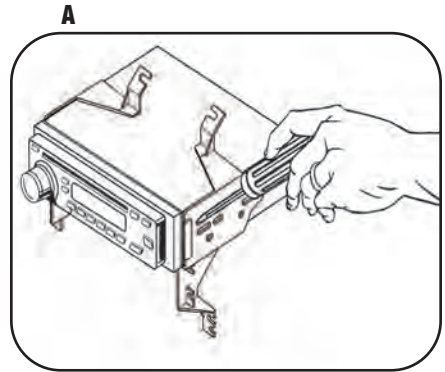
B



Continue to kit assembly

HYUNDAI GENESIS COUPE 2010**ISO DIN HEAD UNIT PROVISION**

- 1** Locate the factory wiring harness in the dash. Metra recommends using the proper mating adapter from Metra or AXCESS. Re-connect the negative battery terminal and test the unit for proper operation.
- 2** Attach the ISO brackets to the after-market radio (figure A), then secure the assembly to the pocket using the (4) supplied Phillips screws (figure B).
- 3** Mount the assembly into the sub dash.
- 4** Reassemble dash in reverse order of disassembly using the 99-7336S trim panel instead of the factory trim panel.





NOTES

99-7336S INSTRUCTIONS

METRA. THE WORLD'S BEST KITS.™



1-800-221-0932



www.metraonline.com

REV. 12/15/09 © COPYRIGHT 2003-2009 METRA ELECTRONICS CORPORATION INST99-7336S