



## INSTALLATION INSTRUCTIONS FOR PART 99-7414

### APPLICATIONS

# Nissan Sentra 2000-2006

# 99-7414

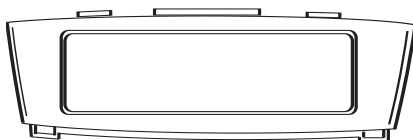
#### KIT FEATURES

- ISO Mount Radio Provision



#### KIT COMPONENTS

- A) Radio Housing



A

#### TOOLS REQUIRED:

- Small Flat Blade Screwdriver/ Panel Removal Tool
- Phillips Screwdriver



1-800-221-0932



[www.metraonline.com](http://www.metraonline.com)

© COPYRIGHT 2004 METRA ELECTRONICS CORPORATION

## **TABLE OF CONTENTS**

### **Dash Disassembly**

**- Nissan Sentra 2000-2006 ..... 1,2**

### **Kit Assembly**

**- ISO Mount Radio Provision ..... 3**

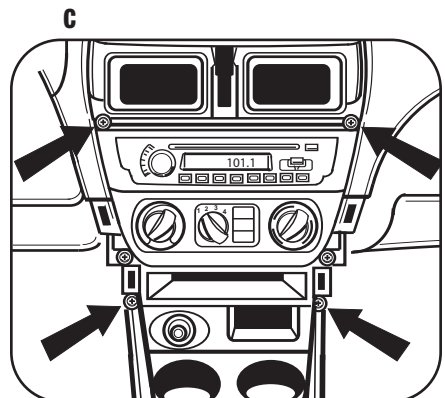
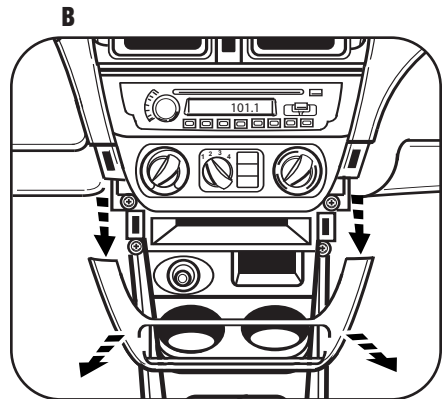
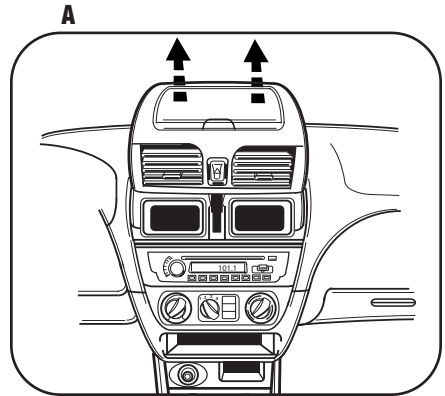
**Final Assembly ..... 4**

**\*Note:**

**Refer also to the instructions included with the aftermarket radio.**

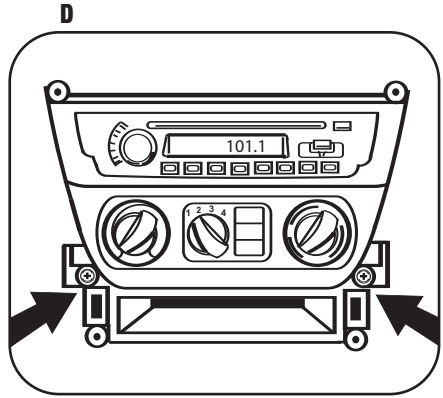
## NISSAN SENTRA 2000-2006

- 1 Disconnect the negative battery terminal to prevent an accidental short circuit.
- 2 Open the storage compartment above the radio and pull out on the lip of the compartment to remove compartment/AC vent assembly. (Figure A)
- 3 Unclip and remove center dash trim panel around pocket below climate controls. (Figure B)
- 4 Remove (4) screws securing the radio/pocket assembly, unplug and remove the assembly. (Figure C)

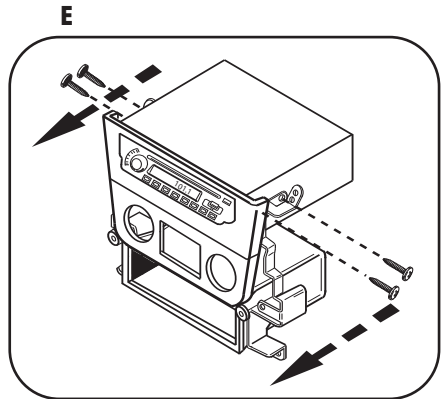


## NISSAN SENTRA 2000-2006

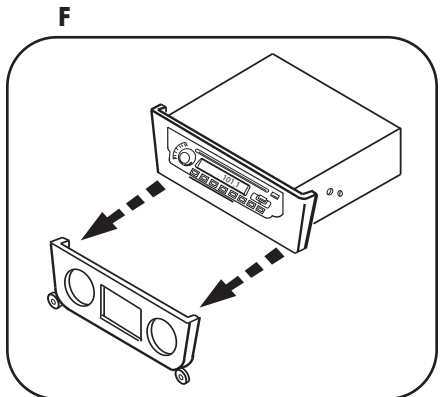
- 5** Remove (2) screws securing the climate control trim panel to the factory brackets (Figure D) and (4) screws securing the radio to the factory brackets (Figure E). Remove the radio and climate control trim panel together (Figure E). **Note:** Retain the factory brackets and pocket to be reused during kit assembly.



- 6** Unsnap and remove the climate control trim panel from the radio. **Note:** Retain the climate control trim panel to be reused during kit assembly. (Figure F)



*Continue to kit assembly.*



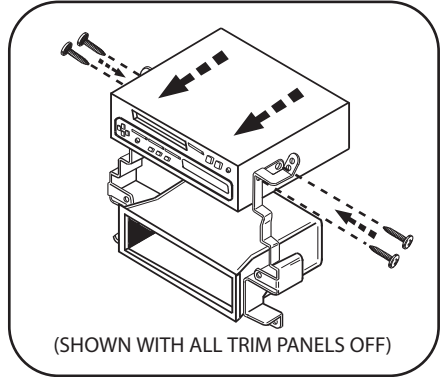
## ISO MOUNT RADIO PROVISION

*\*Note: Refer also to the instructions included with the aftermarket radio.*

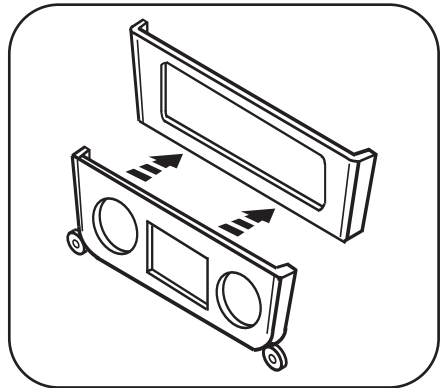
- 1** Slide the aftermarket radio between the factory brackets and attach the radio to the brackets using screws supplied with the radio. (Figure A)
- 2** Snap the climate control trim panel and radio housing together. (Figure B)
- 3** Place the trim panel/housing assembly on the front of radio bracket assembly and attach the two assemblies together using the screws removed during dis-assembly. (Figure C)

*Continue to final assembly.*

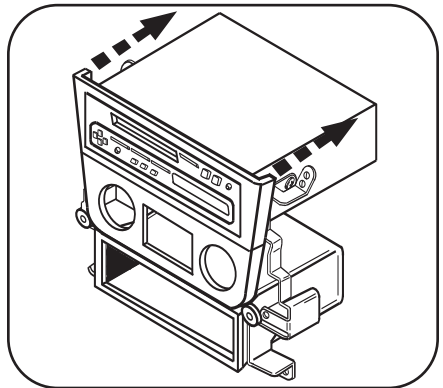
**A**



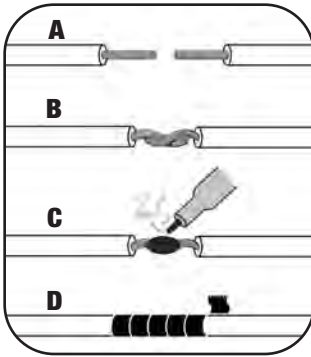
**B**



**C**



## FINAL ASSEMBLY



**(A) Strip wire ends back 1/2"**

**(B) Twist ends together**

**(C) Solder**

**(D) Tape**

- 1** Locate the factory wiring harness in the dash. Metra recommends using the proper mating adapter and making connections as shown. (Isolate and individually tape off the ends of any unused wires to prevent electrical short circuit.)
- 2** Re-connect the negative battery terminal and test the unit for proper operation.
- 3** Reassemble radio and dash assemblies in reverse order of disassembly.

### FINAL WIRING CONNECTIONS

Make wiring connections using the EIA color code chart shown below and the instructions included with the head unit. Metra recommends making connections as shown below; Strip, Splice, Solder, Tape. Isolate and individually tape off ends of any unused wires to prevent electrical short circuit.

#### METRA / EIA WIRING CODE

12V Ignition / Acc. . . . . Red	Right Front (+) . . . . . Gray
12V Batt / Memory . . . . . Yellow	Right Front (-) . . . . . Gray / Black
Ground . . . . . Black*	Left Front (+) . . . . . White
Power Antenna . . . . . Blue	Left Front (-) . . . . . White / Black
Amp Turn-On . . . . . Blue / White	Right Rear (+) . . . . . Violet
Amp Ground . . . . . Black / White	Right Rear (-) . . . . . Violet / Black
Illumination . . . . . Orange	Left Rear (+) . . . . . Green
Dimmer . . . . . Orange / White	Left Rear (-) . . . . . Green / Black

**\*NOTE:** When a Black wire is not present, ground radio to vehicle chassis.

All colors may not be present on all leads due to manufacturer's specifications.



# 99-7414 INSTRUCTIONS



1-800-221-0932



[www.metraonline.com](http://www.metraonline.com)

REV. 09/25/06 © COPYRIGHT 2004 METRA ELECTRONICS CORPORATION

INST99-7414