



INSTALLATION INSTRUCTIONS FOR PART 99-7425

APPLICATIONS

Nissan Rogue 2008

99-7425

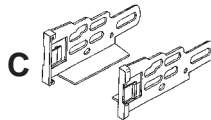
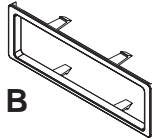
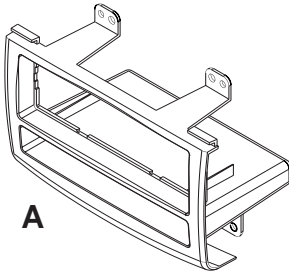
KIT FEATURES

- DIN Radio Provision with Pocket
- ISO Mount Radio Provision with Pocket



KIT COMPONENTS

A) Radio Housing • B) Trim Plate • C) ISO Brackets



TOOLS REQUIRED:

- Small Flat Blade Screwdriver/ Panel Removal Tool
- Phillips Screwdriver



1-800-221-0932



www.metraonline.com

© COPYRIGHT 2008 METRA ELECTRONICS CORPORATION



TABLE OF CONTENTS

Dash Disassembly

- Nissan Rogue 20081,2

Kit Assembly

- DIN Radio Provision with Pocket 3

- ISO MOUNT Radio Provision with Pocket..... 4

Final Assembly5

***Note:**

Refer also to the instructions included with the aftermarket radio.

NISSAN Rogue 2008

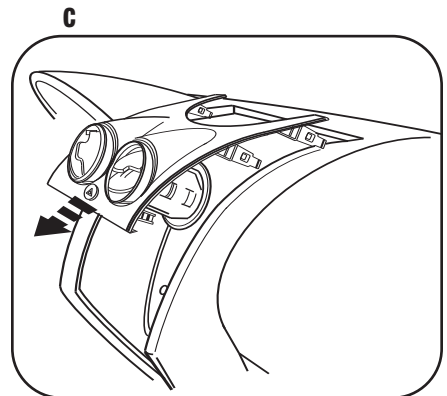
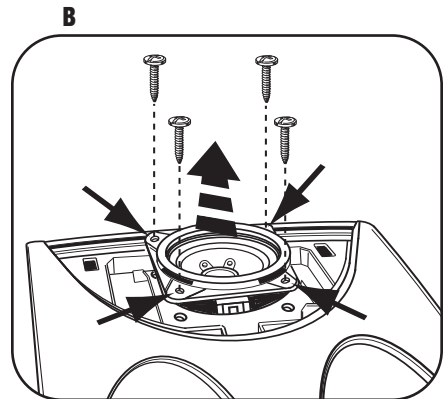
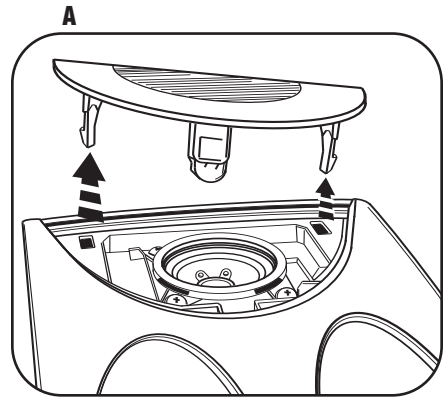
1 Disconnect the negative battery terminal to prevent an accidental short circuit.

2 *If equipped with center speaker:*

Unclip and remove the grille (Figure A). Remove (4) Phillips screws securing the speaker. Unplug and remove the speaker. (Figure B). Unclip the panel above the radio including the a/c vents, then unplug hazard switch and remove. (Figure C)

Note: *If not equipped with center speaker skip step number 2.*

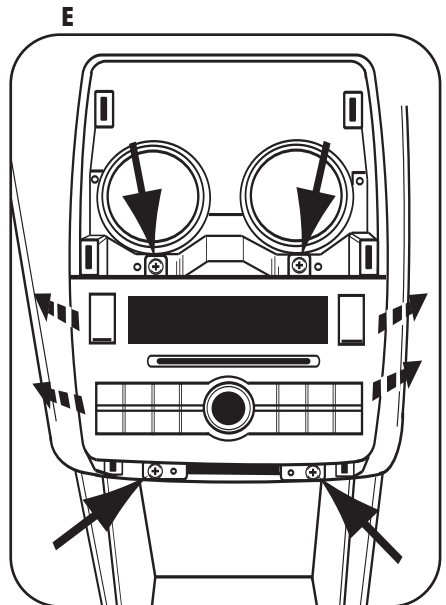
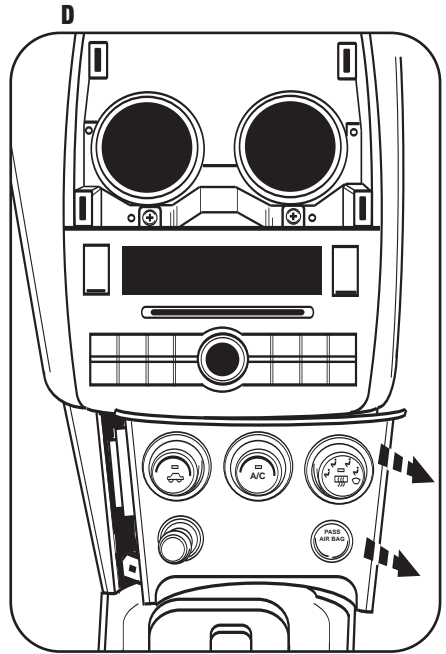
Continued on page 2.



NISSAN Rogue 2008

- 3** Unclip the panel below the radio including the climate controls. Unplug climate controls and remove the panel. (Figure D)
- 4** Remove (4) Phillips screws securing the radio, unplug and remove radio. (Figure E)

Continue to kit assembly.

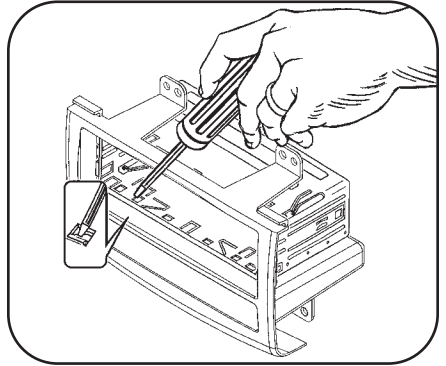
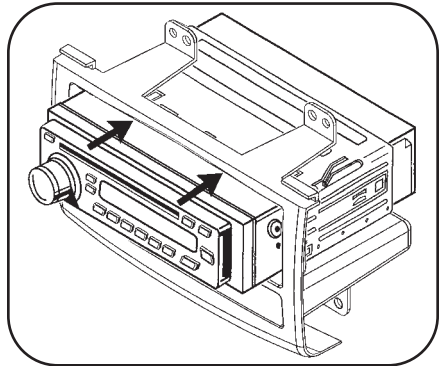


DIN RADIO PROVISION WITH POCKET

**Note: Refer also to the instructions included with the aftermarket radio.*

- 1 Slide the DIN cage into the Radio Housing and secure by bending the metal locking tabs outward. (Figure A)
- 2 Slide the aftermarket radio into the cage until it snaps into place. (Figure B)

Continue to final assembly.

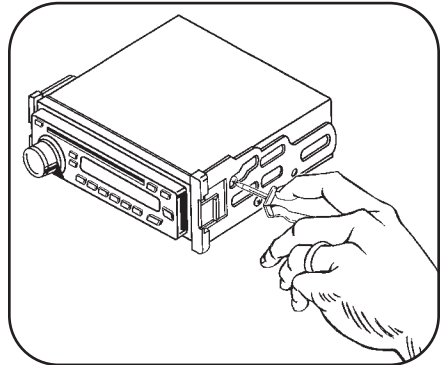
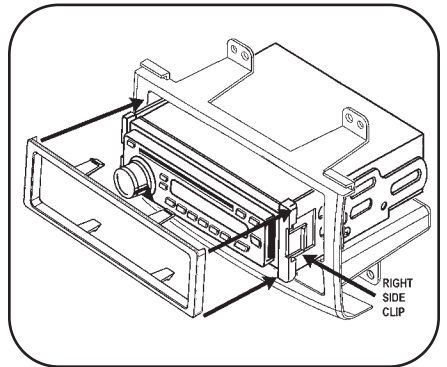
A**B**

ISO MOUNT RADIO PROVISION WITH POCKET

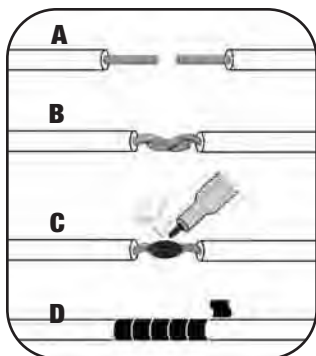
**Note: Refer also to the instructions included with the aftermarket radio.*

- 1** Mount the ISO Brackets to the radio with the screws supplied with the radio. (Figure A)
- 2** Slide the radio into the radio housing until it snaps into place. (Figure B)
- 3** Snap the trim plate onto the front of the Radio Housing. (Figure B)

Continue to final assembly.

A

B


FINAL ASSEMBLY



- (A) Strip wire ends back 1/2"**
- B) Twist ends together**
- C) Solder**
- D) Tape**

- 1** Locate the factory wiring harness in the dash. Metra recommends using the proper mating adapter and making connections as shown. (Isolate and individually tape off the ends of any unused wires to prevent electrical short circuit.)
- 2** Re-connect the negative battery terminal and test the unit for proper operation.
- 3** Reassemble in reverse order of disassembly.

FINAL WIRING CONNECTIONS

Make wiring connections using the EIA color code chart shown below and the instructions included with the head unit. Metra recommends making connections as shown below; Strip, Splice, Solder, Tape. Isolate and individually tape off ends of any unused wires to prevent electrical short circuit.

METRA / EIA WIRING CODE

12V Ignition / Acc. Red	Right Front (+) Gray
12V Batt / Memory Yellow	Right Front (-) Gray/ Black
Ground Black*	Left Front (+) White
Power Antenna Blue	Left Front (-) White / Black
Amp Turn-On Blue / White	Right Rear (+) Violet
Amp Ground Black / White	Right Rear (-) Violet / Black
Illumination Orange	Left Rear (+) Green
Dimmer Orange / White	Left Rear (-) Green / Black

***NOTE:** When a Black wire is not present, ground radio to vehicle chassis.
All colors may not be present on all leads due to manufacturer's specifications.

99-7425 INSTRUCTIONS



1-800-221-0932



www.metraonline.com

REV. 01/24/08 © COPYRIGHT 2008 METRA ELECTRONICS CORPORATION INST99-7425