



## INSTALLATION INSTRUCTIONS FOR PART 99-7428

**APPLICATIONS**  
**2009 Nissan Frontier LE and SE**  
**W/Options**  
**(Excludes XE and SE W/No Options)**

# 99-7428

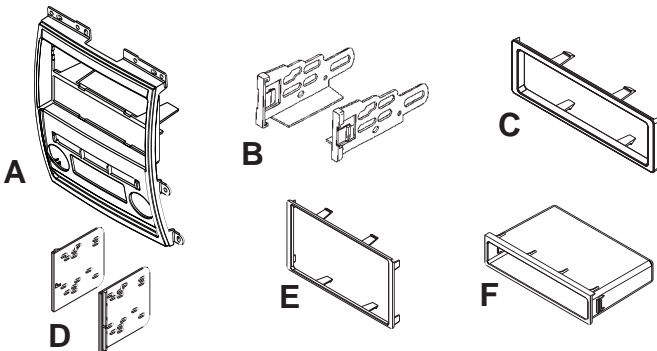
### KIT FEATURES

- DIN Radio Provision with Pocket
- ISO Mount Radio Provision with Pocket
- Double DIN Radio Provision
- Stacked ISO Mount Units Provision



### KIT COMPONENTS

- A) Radio Housing • B) ISO Brackets • C) ISO Trim Plate • D) Double DIN Brackets
- E) Double DIN Trim Plate • F) Snap-in Pocket



### TOOLS REQUIRED:

- Small Flat Blade Screwdriver/ Panel Removal Tool  
• Phillips Screwdriver • Torx T-10 Driver



1-800-221-0932



[www.metraonline.com](http://www.metraonline.com)

© COPYRIGHT 2009 METRA ELECTRONICS CORPORATION



**TABLE OF CONTENTS**

**Dash Disassembly**

**- 2009 Nissan Frontier LE and SE W/Options ..... 1,2**  
***(Excludes XE and SE W/No Options)***

**Kit Assembly**

**- Kit Preparation ..... 3**  
**- DIN Mount Radio Provision with Pocket ..... 4**  
**- ISO Mount Radio Provision with Pocket ..... 5**  
**- Double DIN /Stacked ISO Mount Units Radio Provision ..... 6**

**Final Assembly ..... 7**

**Note:**

**Refer also to the instructions included with the aftermarket radio.**



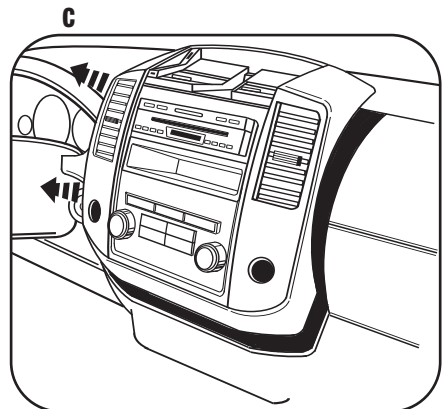
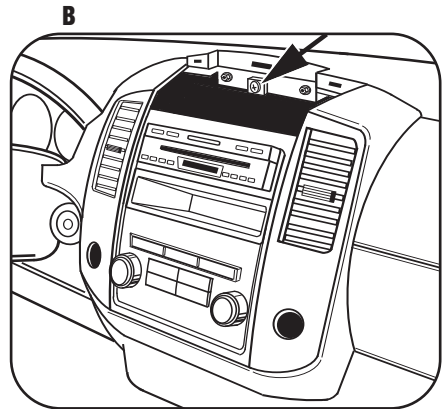
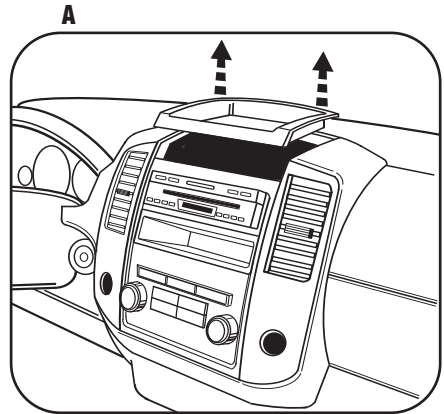
**KNOWLEDGE IS POWER**

Enhance your installation and fabrication skills by enrolling in the most recognized and respected mobile electronics school in our industry. Log onto [www.installerinstitute.com](http://www.installerinstitute.com) or call 800-354-6782 for more information and take steps toward a better tomorrow.

**2009 Nissan Frontier LE and SE W/Options  
(Excludes XE and SE W/No Options)**

- 1** Disconnect the negative battery terminal to prevent an accidental short circuit.
- 2** Unclip and remove the trim panel above the radio and climate controls. (Figure A)
- 3** Remove (1) Phillips screw under panel securing center dash panel. (Figure B)
- 4** Unclip and remove the center dash panel including the radio and climate controls. (Figure C)

*Continue to page 2.*

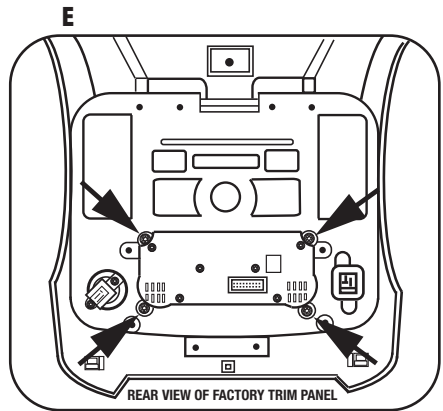
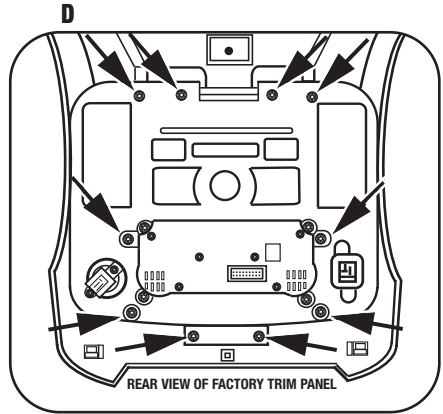


**2009 Nissan Frontier LE and SE W/Options  
(Excludes XE and SE W/No Options)**

*Continued from page 1.*

- 5** Remove (10) Torx screws from the climate control/radio trim panel to remove it from the center dash panel. (Retain the Torx screws for re-use during kit preparation). Figure D)
  
- 6** Remove (4) Torx screws securing the climate controls to the factory trim panel. (Retain the Torx screws and climate controls for re-use during kit preparation. (Figure E)

*Continue to kit preparation.*

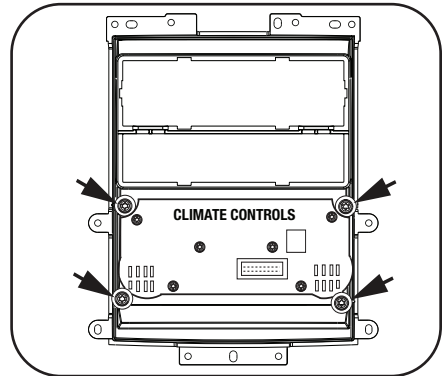


## KIT PREPARATION

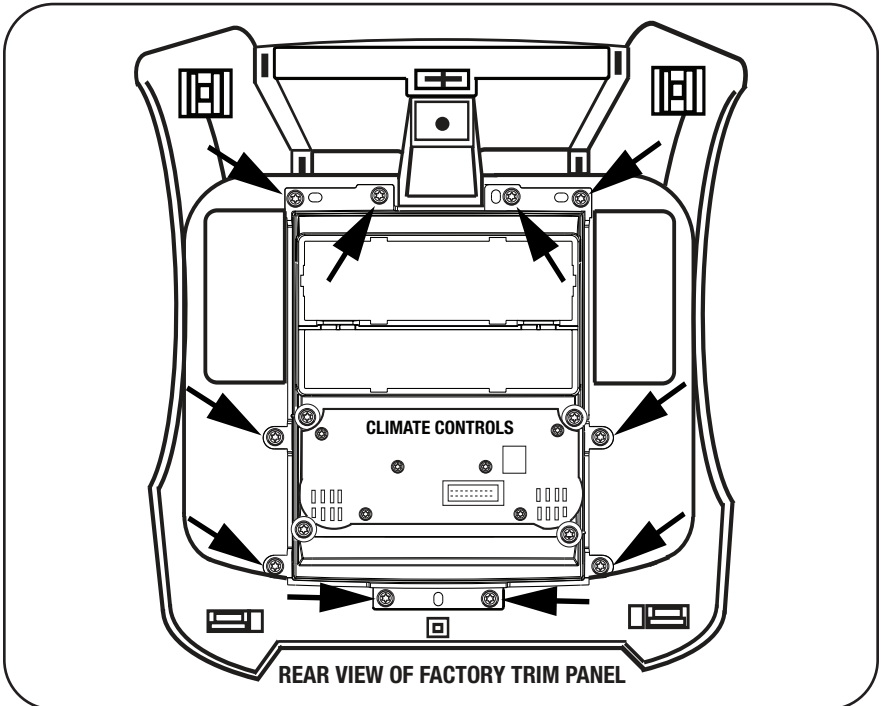
- 1 Attach the climate controls to the Radio Housing using the factory hardware removed in the dash disassembly. (Figure A)
- 2 Attach the radio housing to the center dash panel using the factory hardware removed in the dash disassembly. (Figure B)

*Continue to kit assembly.*

**A**



**B**



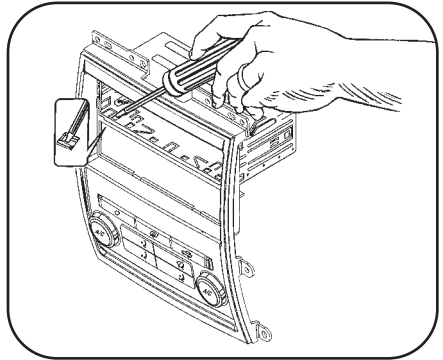
## DIN MOUNT RADIO PROVISION WITH POCKET

*\*Note: Refer also to the instructions included with the aftermarket radio.*

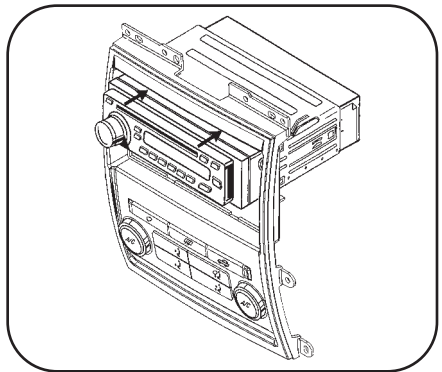
- 1 Slide the DIN cage into the radio housing and secure by bending the metal locking tabs outward. (Figure A)
- 2 Slide the aftermarket radio into the DIN cage and until it snaps into place. (Figure B)
- 3 Snap the pocket into the bottom opening of the radio housing. (Figure C)

*Continue to final assembly.*

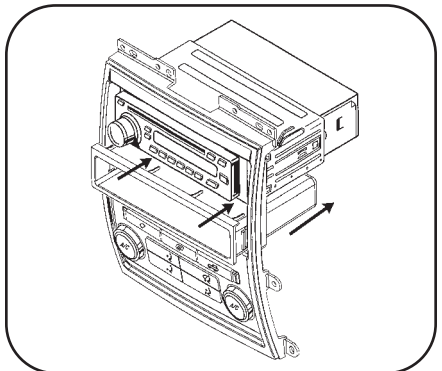
**A**



**B**



**C**

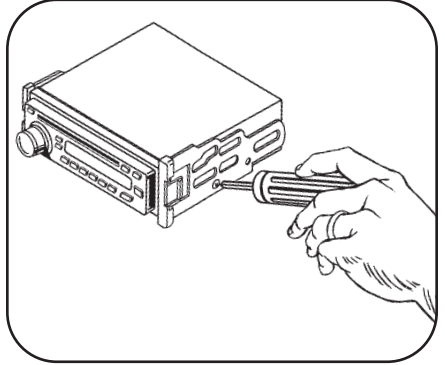
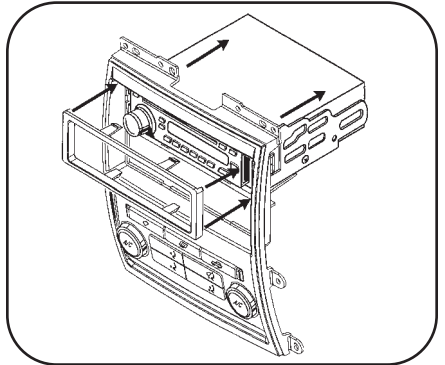
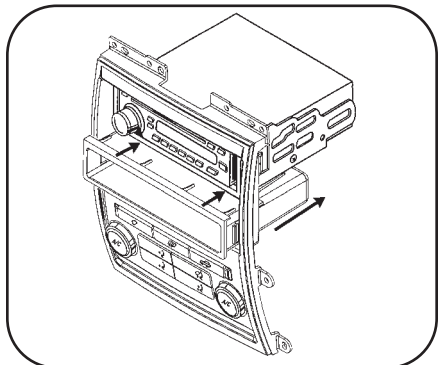


**ISO MOUNT RADIO PROVISION WITH POCKET**

*\*Note: Refer also to the instructions included with the aftermarket radio.*

- 1 Mount the ISO Brackets to the radio using the screws supplied with the radio. (Figure A)
- 2 Slide the radio into the radio housing until it snaps into place. (Figure B)
- 3 Snap the Trim plate onto the front of the Radio Housing. (Figure B)
- 4 Snap the pocket into the bottom opening of the radio housing. (Figure C)

*Continue to final assembly.*

**A**

**B**

**C**


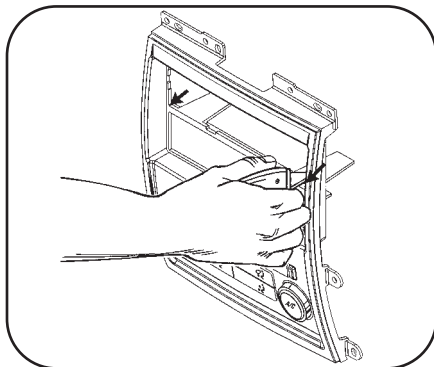
## DOUBLE DIN/STACKED ISO MOUNT UNITS RADIO PROVISION

*\*Note: Refer also to the instructions included with the aftermarket radio.*

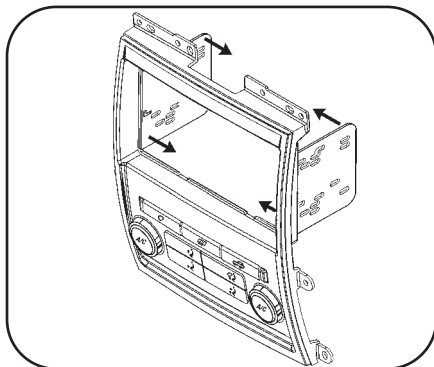
- 1** Cut and remove the center bar from the radio housing. (Figure A)
- 2** Snap the Double DIN brackets to the inside edge of the radio housing. (Figure B)
- 3** Slide the Double DIN or stacked ISO mount unit(s) into the bracket/radio housing assembly and secure the unit(s) to the assembly using the screws supplied with the unit(s). (Figure C)
- 4** Snap the double DIN trim plate onto the front of the radio housing. (Figure C)

*Continue to final assembly.*

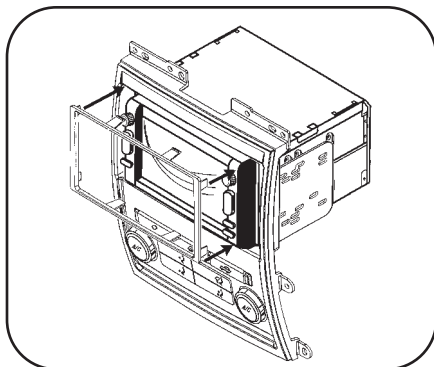
**A**



**B**

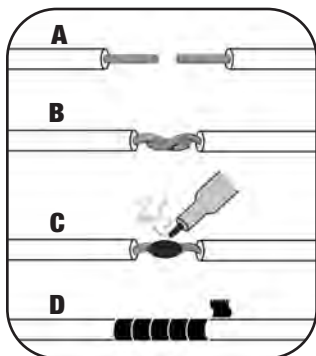


**C**





# FINAL ASSEMBLY



- (A) Strip wire ends back 1/2"**
- B) Twist ends together**
- C) Solder**
- D) Tape**

- 1** Locate the factory wiring harness in the dash. Metra recommends using the proper mating adapter and making connections as shown. (Isolate and individually tape off the ends of any unused wires to prevent electrical short circuit.)
- 2** Re-connect the negative battery terminal and test the unit for proper operation.
- 3** Reassemble radio and dash assemblies in reverse order of disassembly.

## FINAL WIRING CONNECTIONS

Make wiring connections using the EIA color code chart shown below and the instructions included with the head unit. Metra recommends making connections as shown below; Strip, Splice, Solder, Tape. Isolate and individually tape off ends of any unused wires to prevent electrical short circuit.

### METRA / EIA WIRING CODE

12V Ignition / Acc. . . . . Red	Right Front (+) . . . . . Gray
12V Batt / Memory. . . . . Yellow	Right Front (-). . . . . Gray/ Black
Ground. . . . . Black*	Left Front (+) . . . . . White
Power Antenna. . . . . Blue	Left Front (-). . . . . White / Black
Amp Turn-On . . . . . Blue / White	Right Rear (+) . . . . . Violet
Amp Ground. . . . . Black / White	Right Rear (-). . . . . Violet / Black
Illumination . . . . . Orange	Left Rear (+) . . . . . Green
Dimmer . . . . . Orange / White	Left Rear (-). . . . . Green / Black

**\*NOTE:** When a Black wire is not present, ground radio to vehicle chassis.  
All colors may not be present on all leads due to manufacturer's specifications.

**Enjoy your newly installed radio!**



## NOTES

---

---

---

---

---

---

---

---

---

---

---

---

---

---

---

---

---

---

---

---

---

---

---

---

---

---

---

---

---



# 99-7428 INSTRUCTIONS



1-800-221-0932



[www.metraonline.com](http://www.metraonline.com)

REV. 01/20/09 © COPYRIGHT 2009 METRA ELECTRONICS CORPORATION INST99-7428