

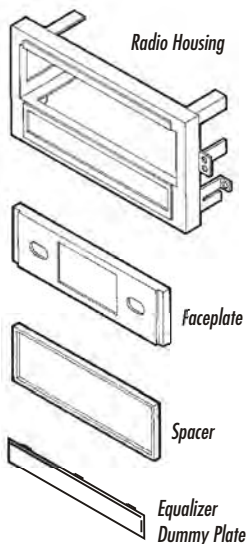
KIT FEATURES

- ▶ Shaft and DIN unit provisions
- ▶ Equalizer provisions
- ▶ Various mounting depth alternatives



99-7578 INSTALLATION INSTRUCTIONS

KIT COMPONENTS



APPLICATIONS

<u>CAR</u>	<u>PAGE</u>
NISSAN	
Hardbody Pickup 1994-97.....	1-2
Pathfinder 1994-95.....	1-2



TOOLS REQUIRED



Phillips screwdriver



Adjustable wrench

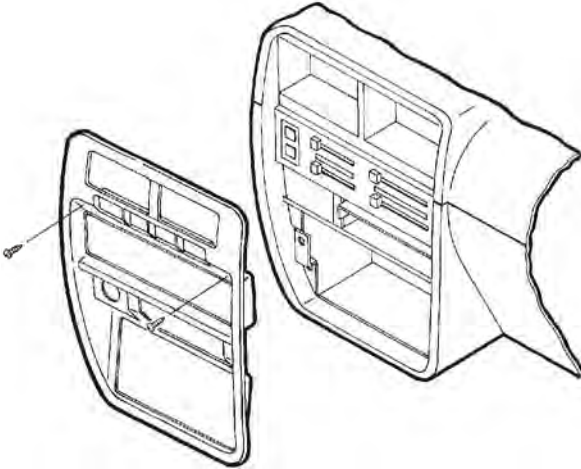
☎ 1-800-221-0932 💻 www.metraonline.com

© COPYRIGHT 2001 METRA ELECTRONICS CORPORATION

rev. 100103

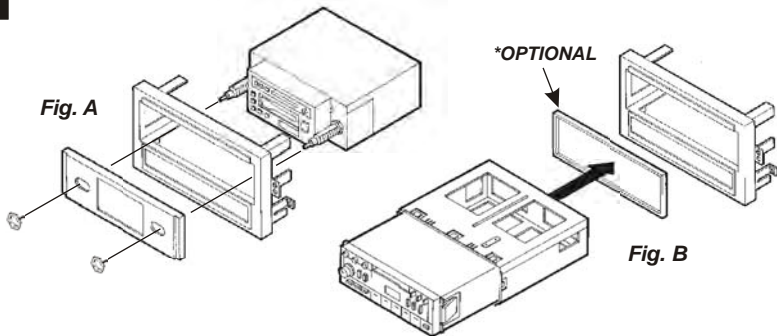
ALL VEHICLES

1



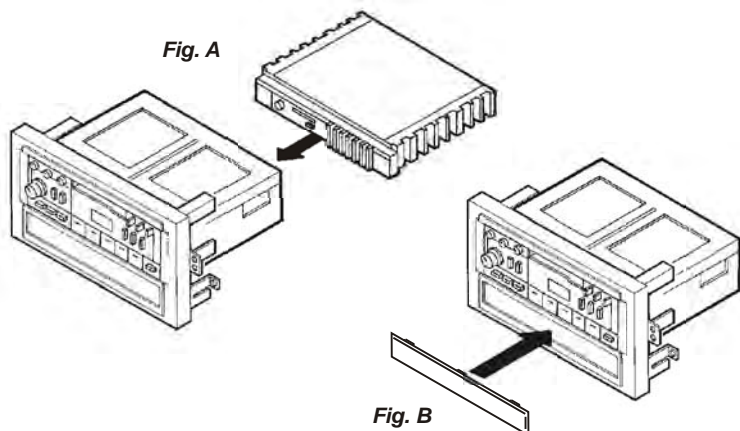
Disconnect the negative battery terminal to prevent an accidental short circuit. Remove the ashtray. Unclip the dash trim bezel and remove. Remove (4) screws securing the factory head unit and disconnect the wiring.

2



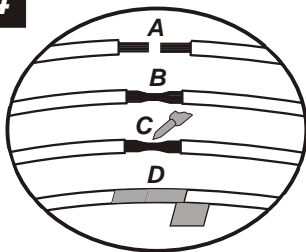
2-SHAFT HEAD UNITS: Attach the **Faceplate** to the **Radio Housing**. Slide the aftermarket head unit into the kit and secure with shaft nuts. (see Fig. A)

DIN HEAD UNITS: Place the **Spacer*** into the **Radio Housing**. Slide the DIN cage into the kit and secure by bending the metal locking tabs down. Slide the aftermarket head unit into the cage until secure. (see Fig. B)

3

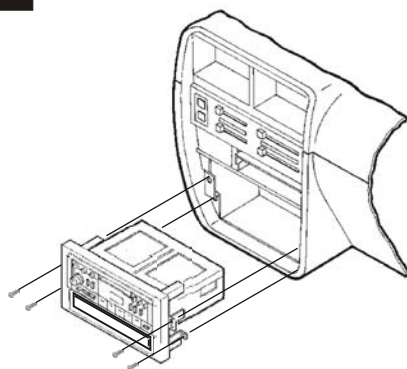
IF AN EQUALIZER WILL BE INCLUDED: Slide the aftermarket equalizer into the back of the **Radio Housing**. Using the hardware included with the equalizer, mount the unit to the kit. (see Fig. A)

IF AN EQUALIZER WILL NOT BE INCLUDED: Snap the **Equalizer Dummy Plate** into the **Radio Housing**. (see Fig. B)

4

- A) Strip wire ends back ½"
- B) Twist ends together
- C) Solder
- D) Tape

Locate the factory wiring harness in the dash. Metra recommends using the proper mating adaptor and making connections as shown. (Isolate and individually tape off the ends of any unused wires to prevent electrical short circuit).

5

Re-connect the battery terminal and test the unit for proper operation. Mount the head unit/kit assembly to the sub-dash with (4) screws previously removed in step #1.