



## INSTALLATION INSTRUCTIONS FOR PART 99-7604

### APPLICATIONS

## INFINITI G35 2003-2004

### 99-7604/99-7604B/ 99-7604T

#### KIT FEATURES

- DIN Radio Provision
- ISO Mount Radio Provision
- Double DIN Radio Provision
- Stacked ISO Mount Units Provision
- Painted To Match Factory Dash

99-7604= SILVER

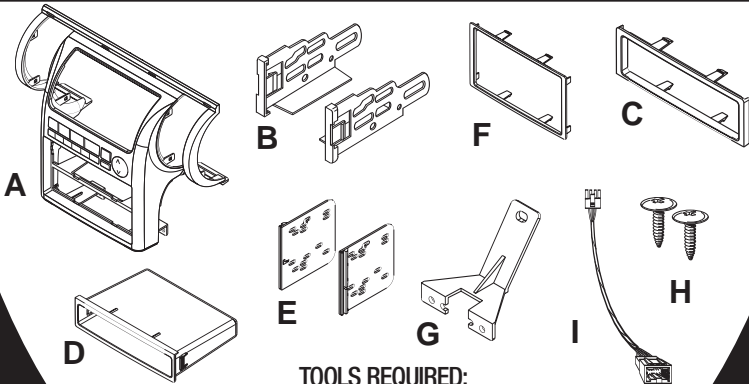
99-7604B= BLACK

99-7604T=TAN



#### KIT COMPONENTS

- A) Radio Housing • B) ISO Brackets • C) ISO Trim Plate • D) Pocket • E) Double DIN Brackets  
• F) Double DIN Trim Plate • G) Top Radio Housing Bracket • H) (2) #8 X 3/8" Phillips Screws  
• I) Climate Control Cable



#### TOOLS REQUIRED:

- Hook Tool • Panel Removal Tool • (2) Small Flat Blade Screwdrivers  
• Phillips Screwdriver • Socket set



1-800-221-0932



[www.metraonline.com](http://www.metraonline.com)

© COPYRIGHT 2008 METRA ELECTRONICS CORPORATION

## **TABLE OF CONTENTS**

### **Dash Disassembly**

**- INFINITI G35 2003-2004 .....1,2,3**

**Kit Preparation ..... 4**

### **Kit Assembly**

**- DIN Radio Provision with Pocket ..... 5**

**- ISO Mount Radio Provision with Pocket ..... 6**

**- Double DIN Radio Provision ..... 7**

**- Stacked ISO Units Provision ..... 8**

**Final Assembly ..... 9**

**\*Note:**

**Refer also to the instructions included with the aftermarket radio.**

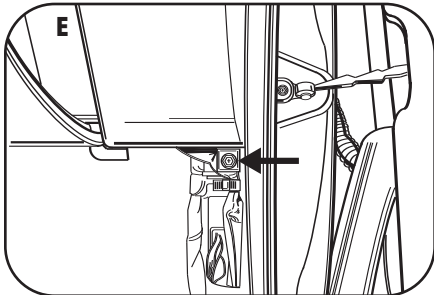
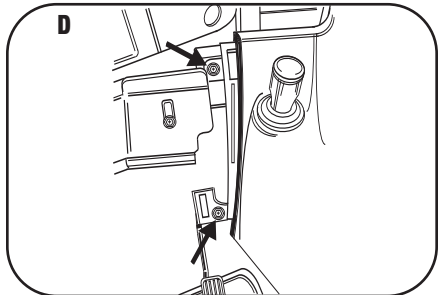
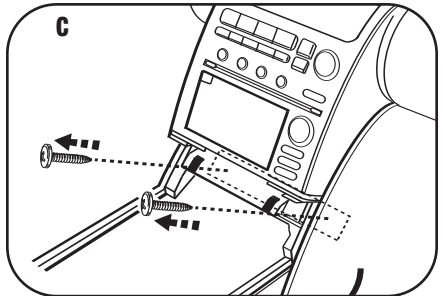
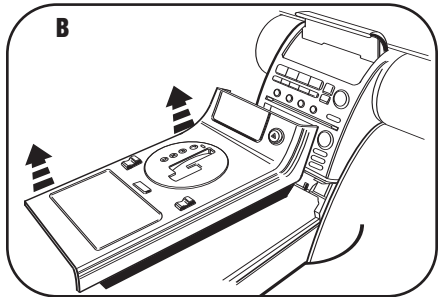
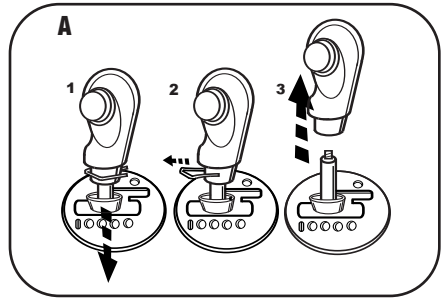


### **KNOWLEDGE IS POWER**

Enhance your installation and fabrication skills by enrolling in the most recognized and respected mobile electronics school in our industry. Log onto [www.installerinstitute.com](http://www.installerinstitute.com) or call 800-354-6782 for more information and take steps toward a better tomorrow.

**INFINITI G35 2003-2004**

- 1** Disconnect the negative battery terminal to prevent an accidental short circuit.
- 2** Unclip the collar below the shift knob and slide down. Using a small screwdriver or hook tool remove the spring clip to release and remove the shift knob. (Figure A)
- 3** Unclip the cup holder/shifter trim panel. Unplug and remove panel. (Figure B)
- 4** Remove (2) Phillips screws from the bottom of the radio/climate control panel. (Figure C)
- 5** Remove (2) Phillips screws from the panel below the steering column then unclip and let the panel hang.
- 6** Remove (2) Phillips screws from the accessory plug panel then unclip and remove the panel. (Figure D)
- 7** Unclip and remove the passenger side kick panel then remove (1) Phillips screw exposed behind the panel on bottom right side of glove box. (Figure E)

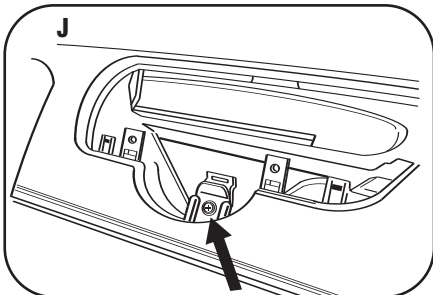
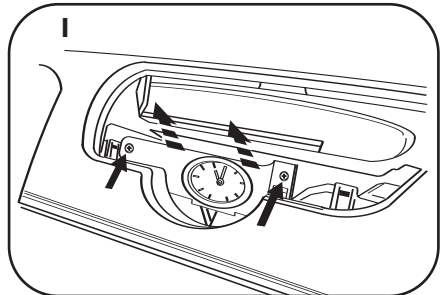
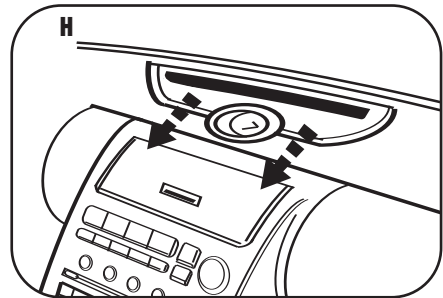
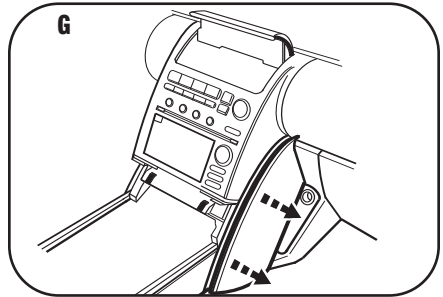
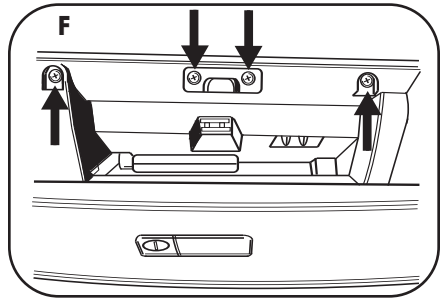


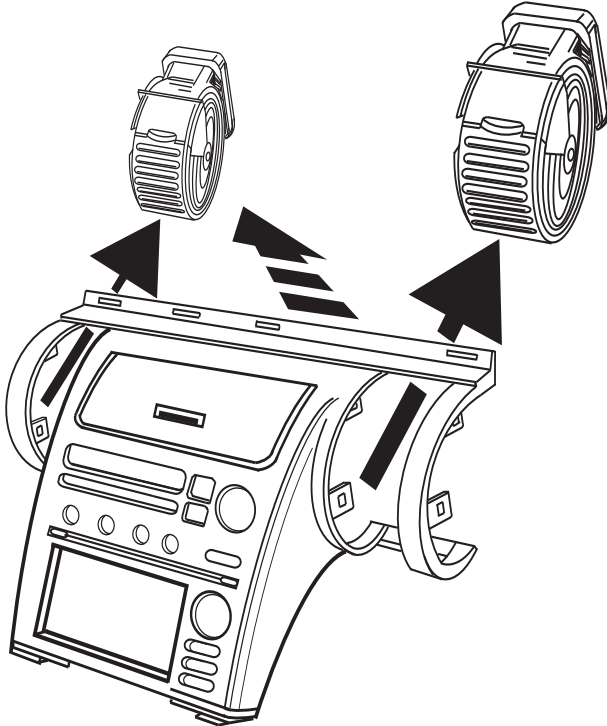
*Continue on page 2 .*

**INFINITI G35 2003-2004**

- 8** Open glove box and remove (4) Phillips screws from the top edge of box opening. (Figure F)
- 9** Unclip and remove the black cover panel below glove box and remove (1) Phillips screw from bottom of glove box exposed on left side next to accessory plug panel.
- 10** Remove (2) Phillips screws from the accessory plug panel then unclip and remove the panel. (Figure G)
- 11** Unclip and remove the trim panel surrounding the clock and display on top of the dash. (Figure H)
- 12** Remove (2) Phillips screws securing the clock and clock bracket. Unplug and remove clock and bracket. (Figure I)
- 13** Remove (1) Phillips screw at the top of the radio/climate control panel. (Figure J)

*Continue on page 3.*



**INFINITI G35 2003-2004**
**K**


**14** Unsnap radio/climate control panel including climate control vents at the top left and right and pocket assembly. Unplug and remove panel. (Figure K)

**15** Remove (6) Phillips screws securing the radio chassis to the factory panel and remove radio chassis to access the factory pocket.

**16** Remove (2) Phillips screws securing the pocket to the radio/climate control panel and remove pocket. (Retain pocket for use during kit assembly.)

**17** Use (2) small flat blade screwdrivers to gently pry the vents from radio/climate control panel to remove. (Retain vents for use during kit assembly.)

**18** Unclip and remove the thin plastic trim at the top edge of the radio/climate control panel.

*Continue to kit preparation.*

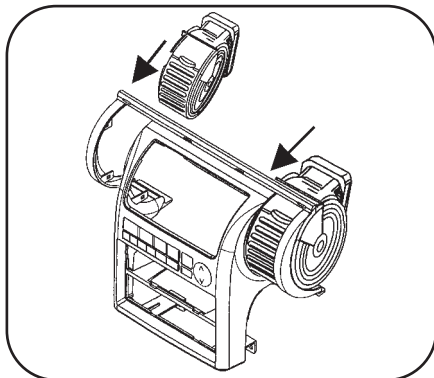
## KIT PREPARATION

*\*Note: Refer also to the instructions included with the aftermarket radio.*

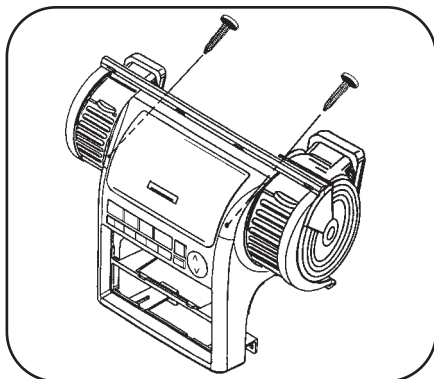
- 1 Attach the vents into the radio housing in the same location as the factory panel. (Figure A)
- 2 Secure the factory pocket removed in step 16 of the dash disassembly into the radio housing using the factory hardware. (Figure B)
- 3 Attach the top radio housing bracket to the radio housing using the (2) #8 X 3/8" Phillips screws provided with this kit. (Figure C)
- 4 Clip the thin plastic trim removed in step 18 (of page 3) to the top edge of the radio housing.
- 5 Connect the black end of the climate control cable to the climate controls in the radio housing and connect the other end of the cable to the factory climate control harness during final assembly.

*Continue to kit assembly.*

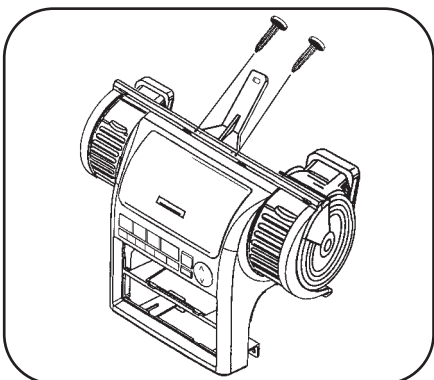
A



B



C

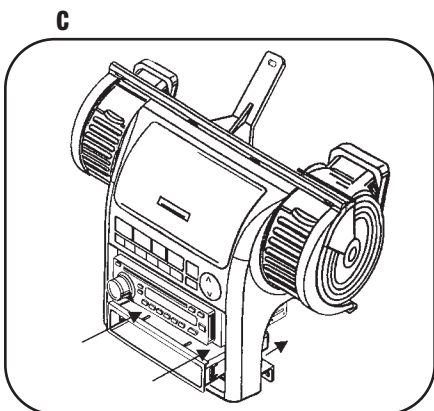
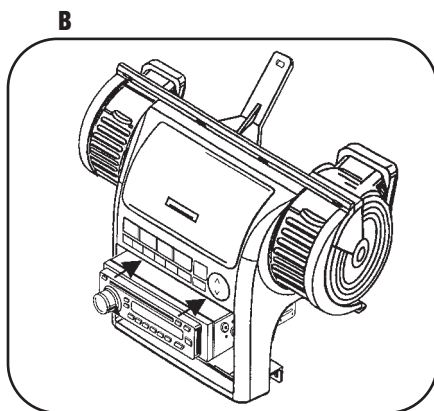
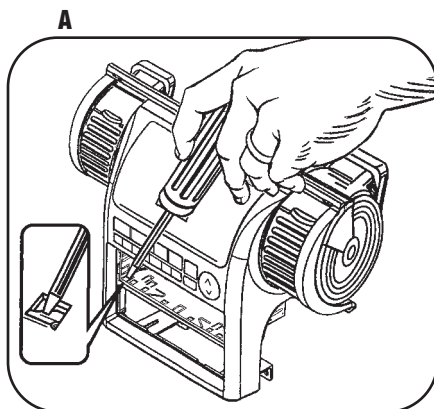


## DIN RADIO PROVISION WITH POCKET

*\*Note: Refer also to the instructions included with the aftermarket radio.*

- 1 Slide the DIN cage into the Radio Housing and secure by bending the metal locking tabs outward. (Figure A)
- 2 Slide the aftermarket radio into the cage until it snaps into place. (Figure B)
- 3 Snap the pocket into the radio housing. (Figure C)

*Continue to final assembly.*



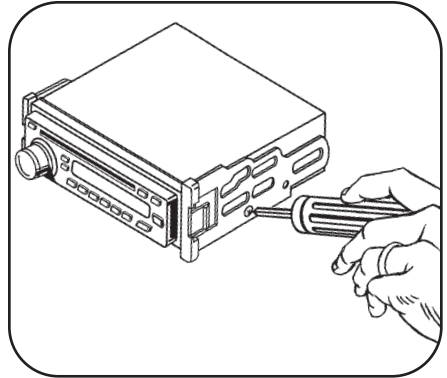
## ISO MOUNT RADIO PROVISION WITH POCKET

*\*Note: Refer also to the instructions included with the aftermarket radio.*

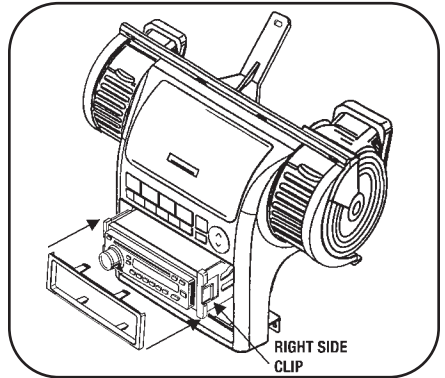
- 1 Mount the ISO Brackets to the radio with the screws supplied with the radio. (Figure A)
- 2 Slide the radio into the radio housing until it snaps into place. (Figure B)
- 3 Snap the ISO trim plate onto the front of the Radio Housing. (Figure B)
- 4 Snap the pocket into the radio housing. (Figure C)

*Continue to final assembly.*

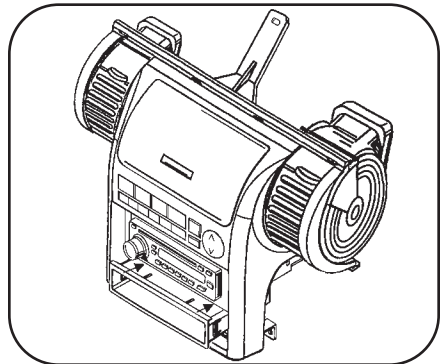
**A**



**B**



**C**





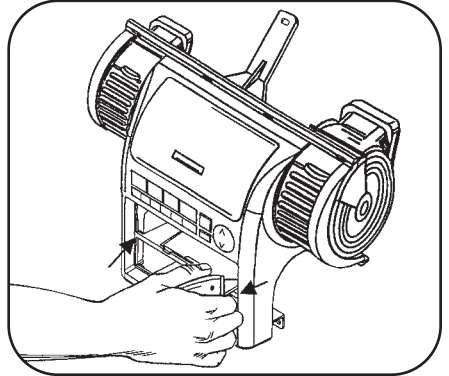
## DOUBLE DIN RADIO PROVISION

*\*Note: Refer also to the instructions included with the aftermarket radio.*

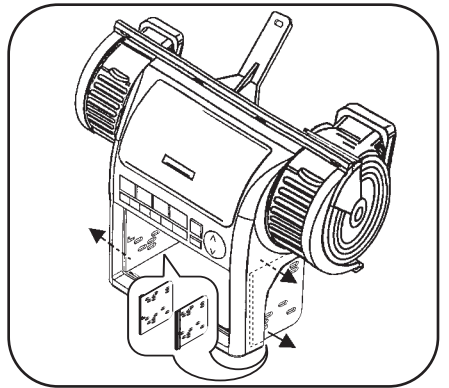
- 1 Cut and remove the center bar from the radio housing. (Figure A)
- 2 Snap the Double DIN brackets to the inside edge of the radio housing. (Figure B)
- 3 Slide the Double DIN radio into the bracket/trim plate assembly and secure the radio to the assembly using the screws supplied with the radio. (Figure C)
- 4 Snap the Double DIN trim plate into the radio housing. (Figure C)

*Continue to final assembly.*

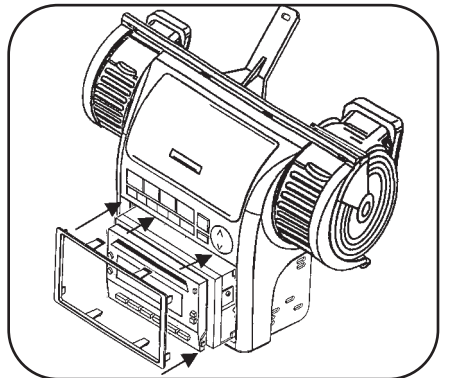
**A**



**B**



**C**



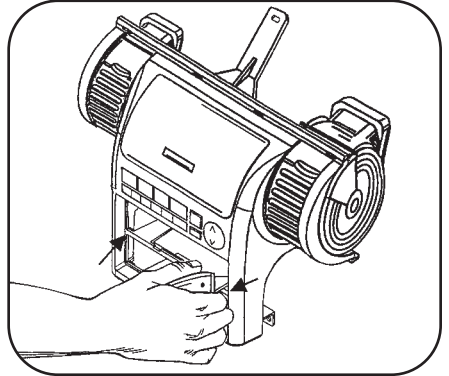
## STACKED ISO UNITS PROVISION

*\*Note: Refer also to the instructions included with the aftermarket radio.*

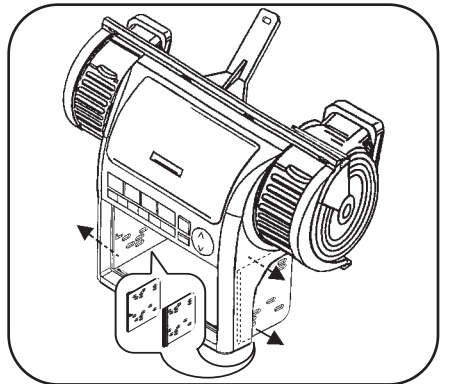
- 1** Cut and remove the center bar from the radio housing. (Figure A)
- 2** Snap the Double DIN brackets to the inside edge of the radio housing. (Figure B)
- 3** Slide the stacked ISO units into the bracket/radio housing assembly and secure the units to the kit using the screws supplied with the units. (Figure C)
- 4** Snap the Double DIN trim plate into the radio housing. (Figure C)

*Continue to final assembly.*

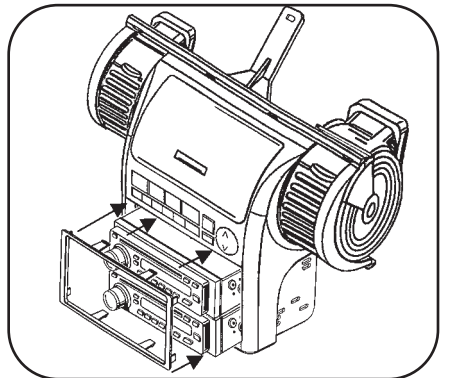
**A**



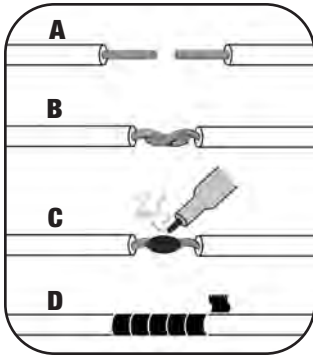
**B**



**C**



# FINAL ASSEMBLY



**(A) Strip wire ends back 1/2"**

**B) Twist ends together**

**C) Solder**

**D) Tape**

- 1 Locate the factory wiring harness in the dash. Metra recommends using the proper mating adapter and making connections as shown. (Isolate and individually tape off the ends of any unused wires to prevent electrical short circuit.)
- 2 Re-connect the negative battery terminal and test the unit for proper operation.
- 3 Reassemble radio and dash assemblies in reverse order of disassembly.

## FINAL WIRING CONNECTIONS

Make wiring connections using the EIA color code chart shown below and the instructions included with the head unit. Metra recommends making connections as shown below; Strip, Splice, Solder, Tape. Isolate and individually tape off ends of any unused wires to prevent electrical short circuit.

### METRA / EIA WIRING CODE

12V Ignition / Acc. . . . . Red	Right Front (+) . . . . . Gray
12V Batt / Memory . . . . . Yellow	Right Front (-) . . . . . Gray / Black
Ground . . . . . Black*	Left Front (+) . . . . . White
Power Antenna . . . . . Blue	Left Front (-) . . . . . White / Black
Amp Turn-On . . . . . Blue / White	Right Rear (+) . . . . . Violet
Amp Ground . . . . . Black / White	Right Rear (-) . . . . . Violet / Black
Illumination . . . . . Orange	Left Rear (+) . . . . . Green
Dimmer . . . . . Orange / White	Left Rear (-) . . . . . Green / Black

**\*NOTE:** When a Black wire is not present, ground radio to vehicle chassis.  
All colors may not be present on all leads due to manufacturer's specifications.

# 99-7604 INSTRUCTIONS



1-800-221-0932



[www.metraonline.com](http://www.metraonline.com)

REV. 08/04/08 © COPYRIGHT 2008 METRA ELECTRONICS CORPORATION INST99-7604