



INSTALLATION INSTRUCTIONS FOR PART 99-7866

APPLICATIONS

ACURA MDX 2001-2006

99-7866

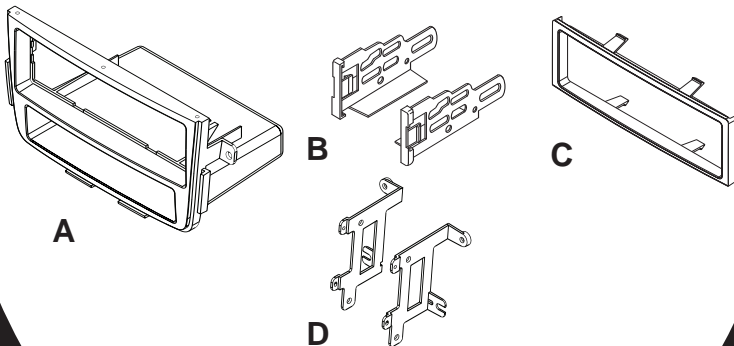
KIT FEATURES

- DIN Mount Radio Provision with Pocket
- ISO Mount Radio Provision with Pocket



KIT COMPONENTS

A) Radio Housing • B) ISO Brackets • C) ISO Trim Plate • D) Bracket Supports For Display



TOOLS REQUIRED:

- Small Flat Blade Screwdriver/ Panel Removal Tool
• Phillips Screwdriver • Socket Set



1-800-221-0932



www.metraonline.com

© COPYRIGHT 2003-2008

METRA ELECTRONICS CORPORATION

TABLE OF CONTENTS

Dash Disassembly

- ACURA MDX 2001-2006..... 1

Kit Preparation

- Display Unit Assembly 2

Kit Assembly

- DIN Mount Radio Provision with Pocket..... 3

- ISO Mount Radio Provision with Pocket..... 4

Final Assembly 5

***Note:**

Refer also to the instructions included with the aftermarket radio.



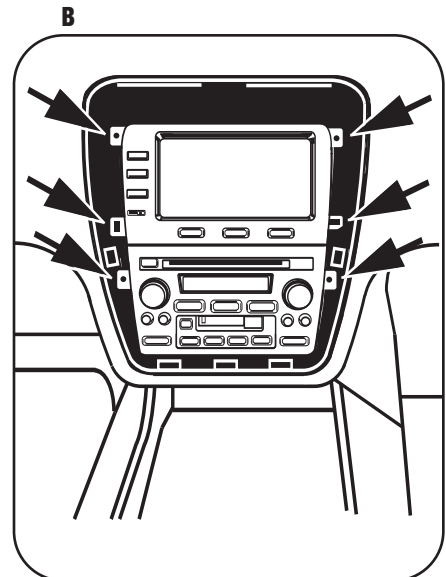
KNOWLEDGE IS POWER

Enhance your installation and fabrication skills by enrolling in the most recognized and respected mobile electronics school in our industry. Log onto www.installerinstitute.com or call 800-354-6782 for more information and take steps toward a better tomorrow.

ACURA MDX 2001-2006

- 1** Disconnect the negative battery terminal to prevent an accidental short circuit.
- 2** Unclip and remove trim panel around radio/display including a/c vents.. (Figure A)
- 3** Remove (6) mounting screws and remove the audio/display unit from the dash. (Figure B)
- 4** Remove (8) screws from the audio unit and (6) screws from the display unit and remove the brackets from the audio/display assembly.

Continue to kit preparation.

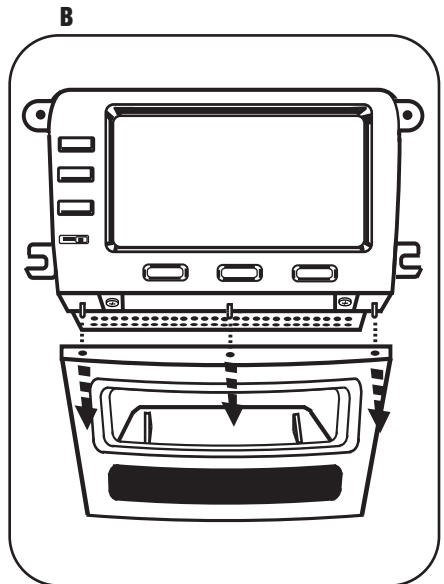
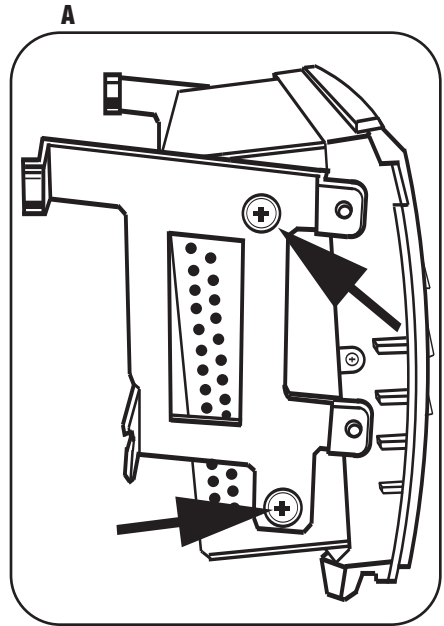


DISPLAY UNIT ASSEMBLY

**Note: Refer also to the instructions included with the aftermarket radio.*

- 1 Using the mounting screws from the display unit, attach the brackets supplied with the kit by aligning the guide pins on the display with the holes on the bracket. (Figure A)
- 2 Align guide pins on bottom of display unit with holes on top of housing and attach the unit to the housing using the (2) screws previously removed. (Figure B)

Continue to kit assembly.



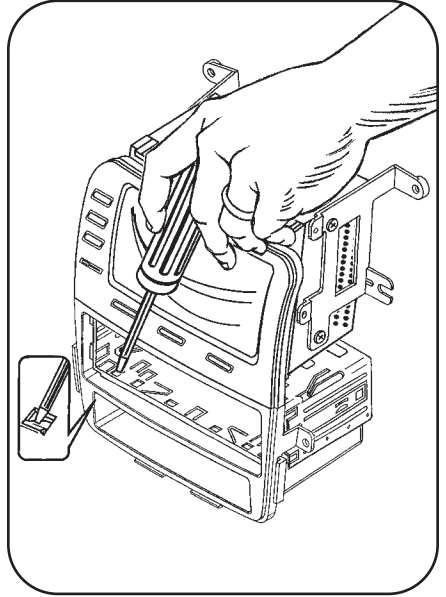
DIN MOUNT RADIO PROVISION WITH POCKET

**Note: Refer also to the instructions included with the aftermarket radio.*

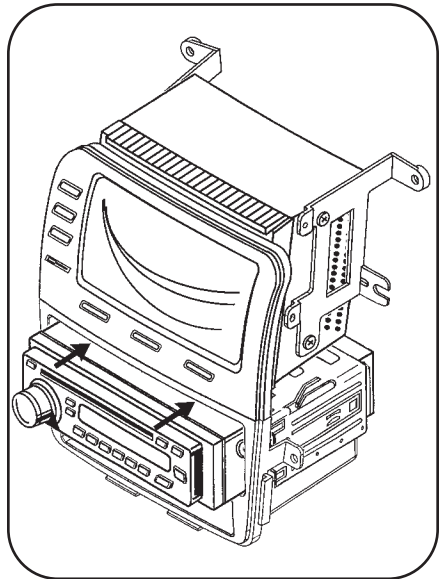
- 1 Slide the DIN cage into the radio housing and secure by bending the metal locking tabs outward. (Figure A)
- 2 Slide the aftermarket radio into the DIN cage until it snaps into place. (Figure B)

Continue to final assembly.

A



B

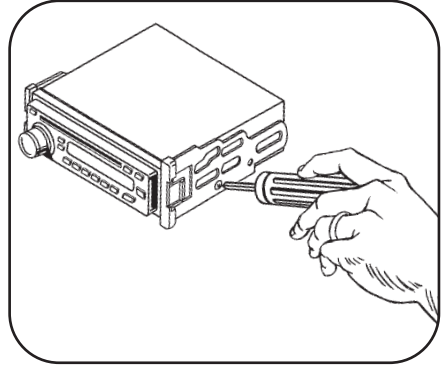
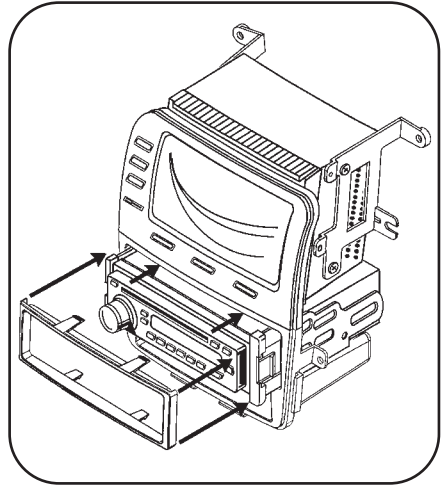


ISO MOUNT RADIO PROVISION WITH POCKET

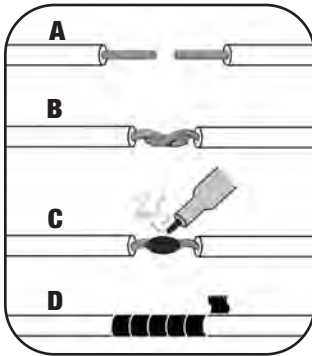
**Note: Refer also to the instructions included with the aftermarket radio.*

- 1 Mount the ISO Brackets to the radio using the screws supplied with the radio. (Figure A)
- 2 Slide the radio into the radio opening until it snaps into place. (Figure B)
- 3 Snap the ISO Trim Plate onto the front of the Radio Housing. (Figure B)

Continue to final assembly.

A

B


FINAL ASSEMBLY



- (A) Strip wire ends back 1/2"**
- B) Twist ends together**
- C) Solder**
- D) Tape**

- 1** Locate the factory wiring harness in the dash. Metra recommends using the proper mating adapter and making connections as shown. (Isolate and individually tape off the ends of any unused wires to prevent electrical short circuit.)
- 2** Re-connect the negative battery terminal and test the unit for proper operation.
- 3** Reassemble radio and dash assemblies in reverse order of disassembly.

FINAL WIRING CONNECTIONS

Make wiring connections using the EIA color code chart shown below and the instructions included with the head unit. Metra recommends making connections as shown below; Strip, Splice, Solder, Tape. Isolate and individually tape off ends of any unused wires to prevent electrical short circuit.

METRA / EIA WIRING CODE

12V Ignition / Acc.	Red	Right Front (+)	Gray
12V Batt / Memory	Yellow	Right Front (-)	Gray/ Black
Ground	Black*	Left Front (+)	White
Power Antenna	Blue	Left Front (-)	White / Black
Amp Turn-On	Blue / White	Right Rear (+)	Violet
Amp Ground	Black / White	Right Rear (-)	Violet / Black
Illumination	Orange	Left Rear (+)	Green
Dimmer	Orange / White	Left Rear (-)	Green / Black

***NOTE:** When a Black wire is not present, ground radio to vehicle chassis.
 All colors may not be present on all leads due to manufacturer's specifications.

Enjoy your newly installed radio!

99-7866 INSTRUCTIONS



1-800-221-0932



www.metraonline.com

REV. 12/29/08 © COPYRIGHT 2003-2008 METRA ELECTRONICS CORPORATION INST99-7866