



120997867



INSTALLATION INSTRUCTIONS FOR PART 99-7867

APPLICATIONS

**Acura RSX
2002-2006**

99-7867

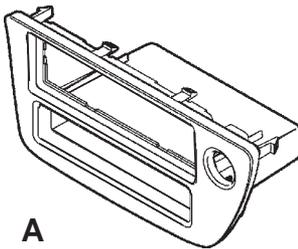
KIT FEATURES

- DIN Radio Provision
- ISO Radio Provision

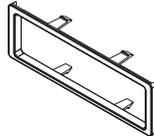


KIT COMPONENTS

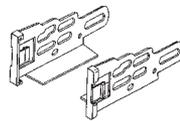
- A) Radio Housing • B) ISO Trim Plate • C) ISO Brackets



B



C



TOOLS REQUIRED:

- Phillips Screwdriver
- Panel Removal Tool



1-800-221-0932



www.metraonline.com

© COPYRIGHT 2007-2008 METRA ELECTRONICS CORPORATION



TABLE OF CONTENTS

Dash Disassembly

- Acura RSX 2002-2006 1

Kit Preparation 2

Kit Assembly

- DIN Radio Provision 3

- ISO Radio Provision 3

Final Assembly 4

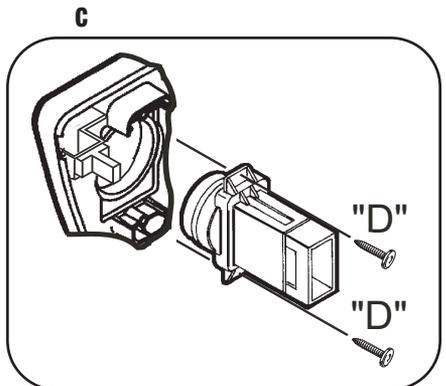
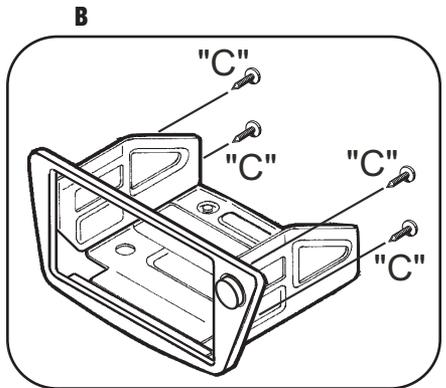
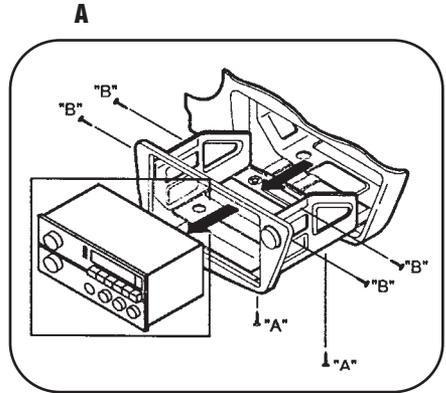
***Note:**

Refer also to the instructions included with the aftermarket radio.



ACURA RSX 2002-2006

- 1 Disconnect the negative battery terminal to prevent an accidental short circuit.
- 2 Unclip the power outlet panel and remove (2) Phillips screws exposed facing up. ("A" in Figure A)
- 3 Unclip the radio trim panel assembly (including the head unit and the hazard switch) then unplug and remove the assembly. (Figure A)
- 4 Remove (4) Phillips screws securing the factory head unit to the bracket assembly and remove the unit. ("B" in Figure A)
- 5 If a factory pocket is present, remove (4) Phillips screws securing the pocket to the bracket assembly and remove.
- 6 Remove (4) Phillips screws securing the bracket assembly to the back of the radio trim bezel and remove the bezel. (Retain the bracket assembly and screws to be reinstalled into the double DIN trim plate during kit assembly). ("C" in Figure B)
- 7 Remove (2) Phillips screws securing the hazard switch to the back of the radio trim panel and remove the switch. (Retain the switch and screws to be reinstalled into the double DIN trim plate during kit assembly). ("D" in Figure C)



Continue to kit assembly.



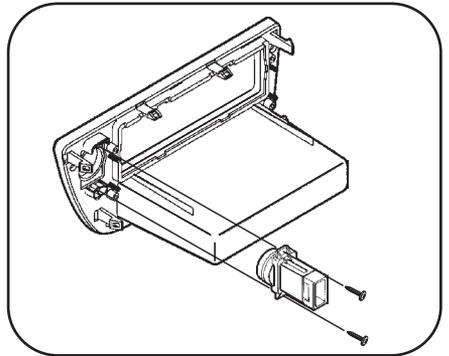
99-7867 KIT PREPARATION

ACURA RSX 2002-2006

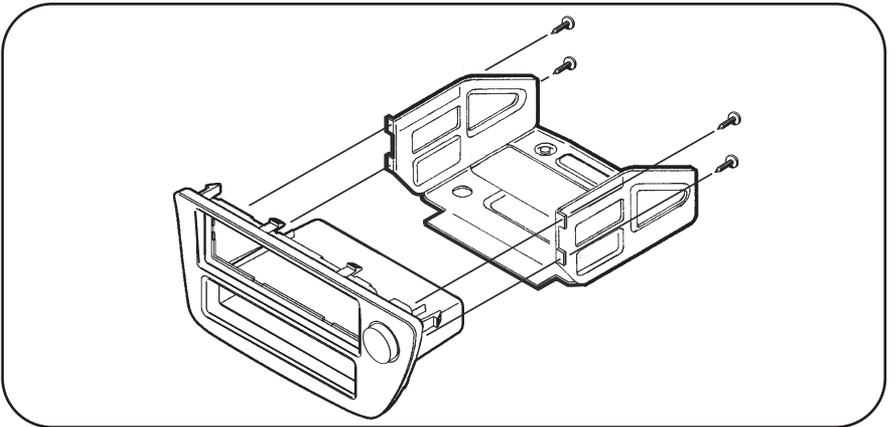
- 1 Mount the hazard switch to the back of the radio housing with (2) Phillips screws previously removed in Step 7 of the disassembly. (Figure A)
- 2 Mount the factory bracket assembly to the back of the radio housing with (4) Phillip screws previously removed in Step 6 of the disassembly. (Figure B)

Continue to kit assembly.

A



B



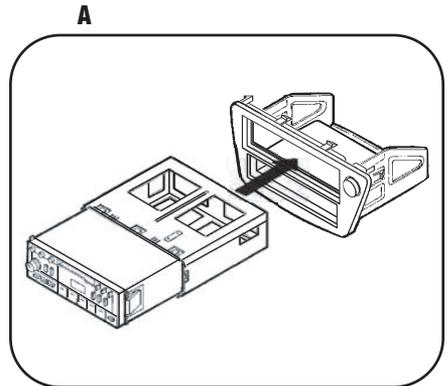


DIN RADIO PROVISION

**Note: Refer also to the instructions included with the aftermarket radio.*

- 1 Slide the DIN cage into the radio housing and secure by bending the metal locking tabs outward. (Figure A)
- 2 Slide the aftermarket radio into the cage until it snaps into place. (Figure A)

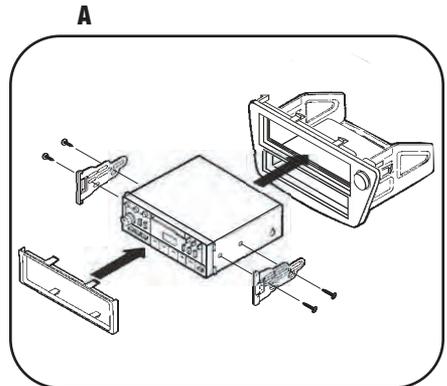
Continue to final assembly.



ISO RADIO PROVISION

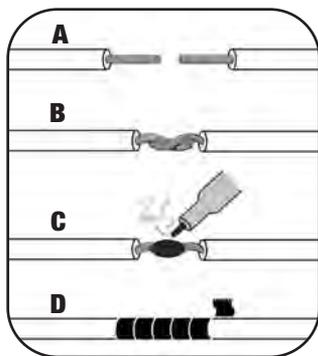
- 1 Mount the ISO brackets to the radio using the screws supplied with the radio. (Figure A)
- 2 Slide the radio into the radio housing until the ISO brackets snap into place. (Figure A)
- 3 Snap the trim plate onto the front of the radio housing. (Figure A)

Continue to final assembly.





FINAL ASSEMBLY



(A) Strip wire ends back 1/2"

(B) Twist ends together

(C) Solder

(D) Tape

- 1 Locate the factory wiring harness in the dash. Metra recommends using the proper mating adapter and making connections as shown. (Isolate and individually tape off the ends of any unused wires to prevent electrical short circuit.)
- 2 Re-connect the negative battery terminal and test the unit for proper operation.
- 3 Reassemble radio and dash assemblies in reverse order of disassembly.

FINAL WIRING CONNECTIONS

Make wiring connections using the EIA color code chart shown below and the instructions included with the head unit. Metra recommends making connections as shown below; Strip, Splice, Solder, Tape. Isolate and individually tape off ends of any unused wires to prevent electrical short circuit.

METRA / EIA WIRING CODE

12V Ignition / Acc.	Red	Right Front (+)	Gray
12V Batt / Memory	Yellow	Right Front (-)	Gray/ Black
Ground	Black*	Left Front (+)	White
Power Antenna	Blue	Left Front (-)	White / Black
Amp Turn-On	Blue / White	Right Rear (+)	Violet
Amp Ground	Black / White	Right Rear (-)	Violet / Black
Illumination	Orange	Left Rear (+)	Green
Dimmer	Orange / White	Left Rear (-)	Green / Black

***NOTE:** When a Black wire is not present, ground radio to vehicle chassis.
All colors may not be present on all leads due to manufacturer's specifications.

99-7867 INSTRUCTIONS



1-800-221-0932



www.metraonline.com

REV. 05/19/08 © COPYRIGHT 2007-2008 METRA ELECTRONICS CORPORATION INST99-7867C