

KIT FEATURES

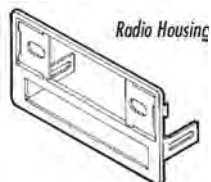
- ▶ Shaft and DIN unit provisions
- ▶ Rear support provisions
- ▶ Equalizer provisions



99-7889

INSTALLATION INSTRUCTIONS

KIT COMPONENTS

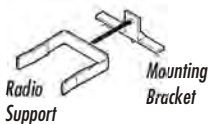
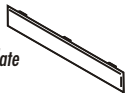


Radio Housing



Shaft Masks

Equalizer Dummy Plate



Radio Support

Mounting Bracket

APPLICATIONS

CAR

PAGE

HONDA

Prelude 1992-96.....1-2



TOOLS REQUIRED



Phillips screwdriver



Cutting tool



Wrench



1-800-221-0932

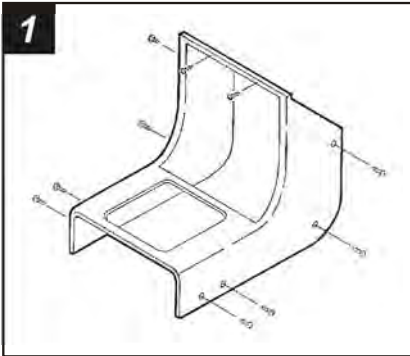


www.metraonline.com

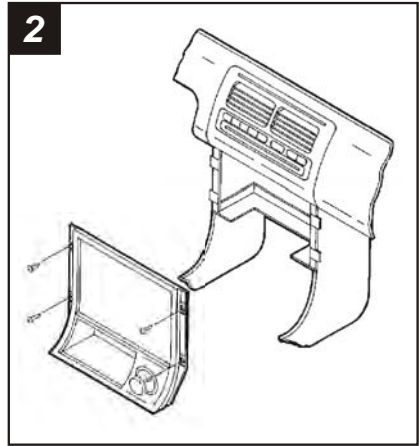
© COPYRIGHT 2001 METRA ELECTRONICS CORPORATION

rev. 100103

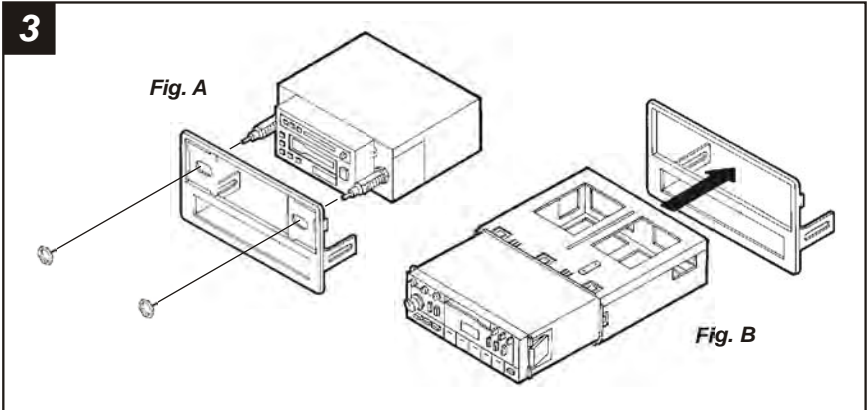
ALL VEHICLES



Disconnect the negative battery terminal to prevent an accidental short circuit. Remove (2) screws from the top of the console trim bezel. Slide the front seats back and remove (4) Phillips screws from each side of the bezel. Pull up on the console trim bezel and remove. Using an angled screwdriver, remove (2) screws securing the gear shifter bracket to the bezel.



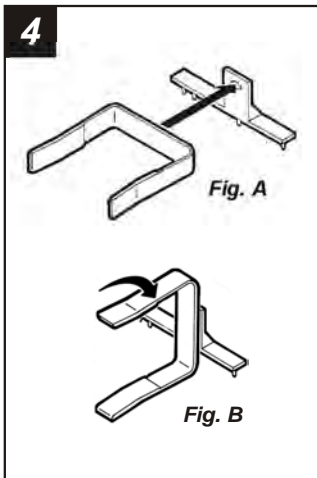
Remove (4) screws from the radio trim bezel, remove the factory head unit assembly and disconnect the wiring.



2-SHAFT HEAD UNITS: Attach the *Trimplate* and *Shaft Masks* to the *Radio Housing*. Slide the aftermarket head unit into the kit and secure with shaft nuts. (see Fig. A)

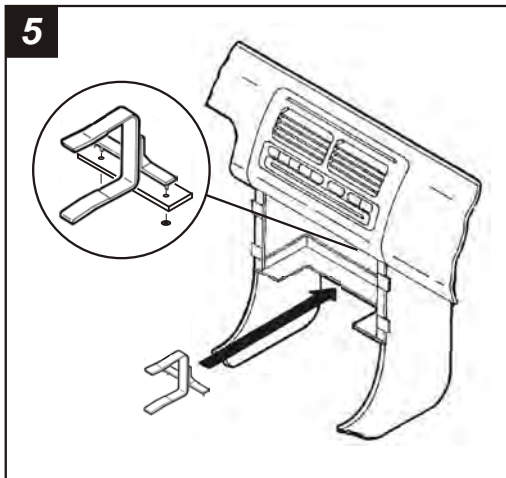
DIN HEAD UNITS: Cut and remove the shaft supports from the *Radio Housing*. Slide the DIN cage into the Housing and secure by bending the metal locking tabs down. Slide the aftermarket head unit into the cage until secure. (see Fig. B)

If an equalizer will be included, slide the unit into the back of the *Radio Housing* and secure. If an equalizer will NOT be included, snap the *Equalizer Dummy Plate* into the opening).

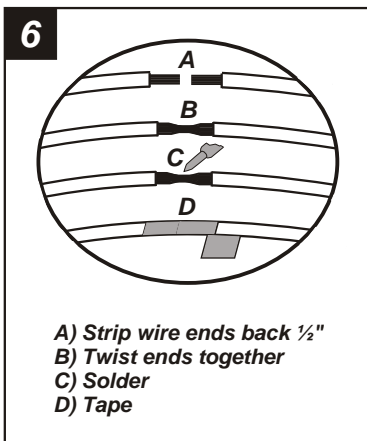


Insert the **Radio Support** into the **Mounting Bracket**. (see Fig A)

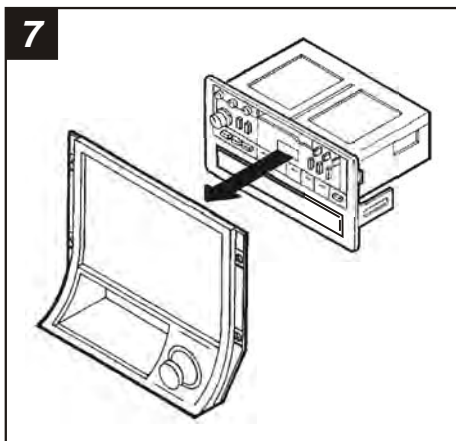
Turn the **Radio Support** to lock into place. (see Fig. B)



Secure the assembly to the factory mounting plate in the sub-dash with (2) **Pal Nuts** supplied.



Locate the factory wiring harness in the dash. Metra recommends using the proper mating adaptor and making proper connections as shown. (Isolate and individually tape off the ends of any unused wires to prevent electrical short circuit).



Re-connect the battery terminal and test the unit for proper operation. Snap the head unit/kit assembly into the radio trim bezel and mount the bezel to the dash with those screws previously removed.