

## KIT FEATURES

- ▶ Shaft and DIN unit provisions
- ▶ Pocket provisions



# 99-7893

## INSTALLATION INSTRUCTIONS

## KIT COMPONENTS

Radio Housing



## TOOLS REQUIRED



Phillips screwdriver



Cutting tool



Panel removal tool

## APPLICATIONS

### CAR

### PAGE

#### HONDA

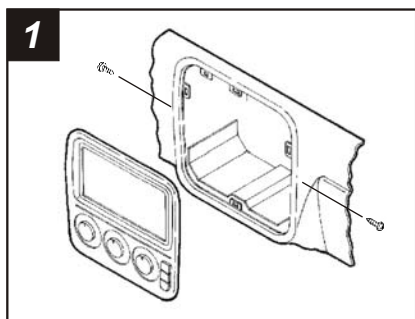
CR-V 1997-01.....	1-2
Prelude 1997-01.....	1-2



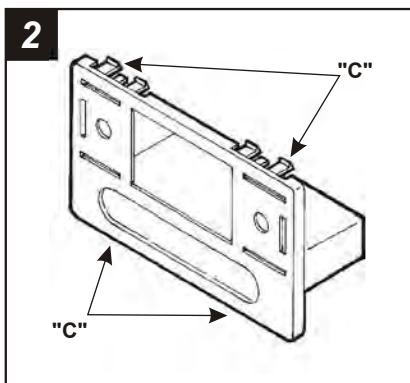
1-800-221-0932 [www.metraonline.com](http://www.metraonline.com)

© COPYRIGHT 2001-07 METRA ELECTRONICS CORPORATION  
rev. 06-15-07

## HONDA CR-V 1997-01

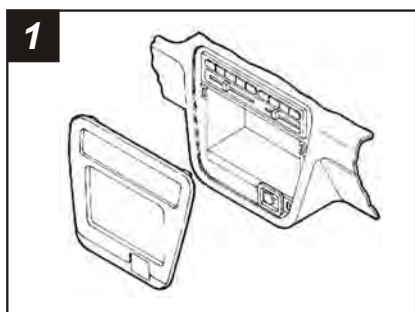


Disconnect the negative battery terminal to prevent an accidental short circuit. Open the glove box, squeeze the retaining clips and remove the stoppers. Lower the glove box and remove (2) Phillips screws from the left edge. Remove (2) Phillips screws from the lower steering column and remove. Unclip the lower console cover (below the ashtray and pocket) and remove. Remove (2) Phillips screws from the base of the center console, open the console pocket and remove the (4) outer screws exposed. Unclip the center console and remove. Remove (2) Phillips screws securing the radio trim bezel, disconnect the wiring, and remove the trim bezel/head unit assembly. Remove (4) Phillips screws securing the head unit to the bezel and remove.

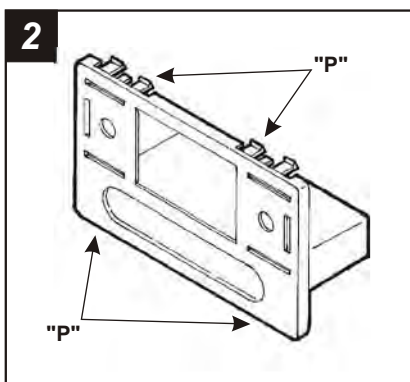


Cut and remove all mounting clips on the Radio Housing EXCEPT clips "C". The clips can be identified by the stamped letter on each clip. Skip to the Installation Instructions for ALL VEHICLES on Page #2.

## HONDA Prelude 1997-01



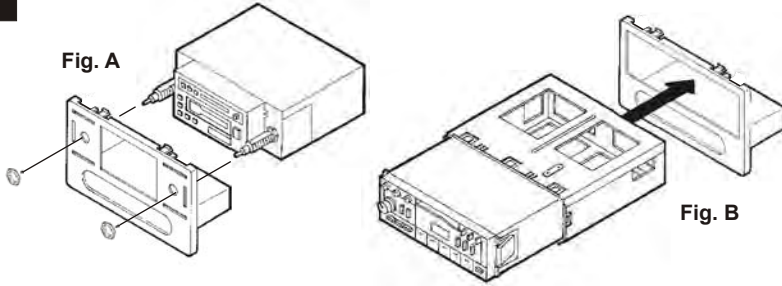
Disconnect the negative battery terminal to prevent an accidental short circuit. Using a panel removal tool, unclip the radio trim bezel and remove (some force may be required). Remove (4) Phillips screws securing the factory head unit/bracket housing assembly and disconnect the wiring. Remove (4) Phillips screws securing the factory head unit to the bracket housing and remove.



Cut and remove all mounting clips on the Radio Housing EXCEPT clips "P". The clips can be identified by the stamped letter on each clip. Skip to the Installation Instructions for ALL VEHICLES on Page #2.

# ALL VEHICLES

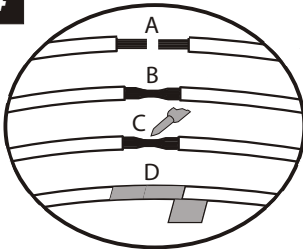
3



**2-SHAFT HEAD UNITS:** Slide the aftermarket head unit into the Radio Housing and secure with shaft nuts. (see Fig. A)

**DIN HEAD UNITS:** Cut and remove the shaft supports from the Radio Housing. Slide the DIN cage into the kit and secure by bending the metal locking tabs down. Slide the aftermarket head unit into the cage until secure. (see Fig. B)

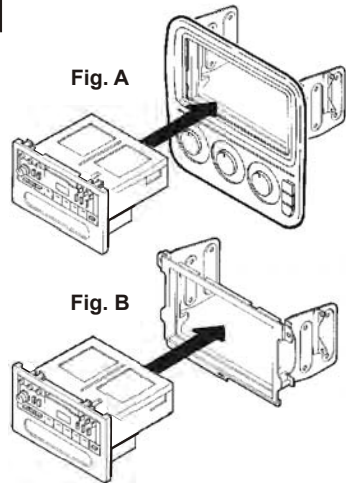
4



- A) Strip wire ends back ½"
- B) Twist ends together
- C) Solder
- D) Tape

Locate the factory wiring harness in the dash. Metra recommends using the proper mating adaptor and making connections as shown. (Isolate and individually tape off the ends of any unused wires to prevent electrical short circuit).

5



**CR-V:** Re-connect the battery terminal and test the unit for proper operation. Snap the head unit/kit assembly into the radio trim bezel and mount the bezel to the dash using those screws previously removed in step #1. (see Fig. A)

**PRELUDE:** Re-connect the battery terminal and test the unit for proper operation. Snap the head unit/kit assembly into the factory bracket housing and mount the housing to the sub-dash with (4) Phillips screws previously removed. (see Fig. B)